

## Airblast B.V.

P.O. Box 1075  
1700 BB Heerhugowaard  
The Netherlands  
Tel.: +31-72-5718002  
Fax: +31-72-5714340  
E-mail: info@airblast.com  
Web: www.airblast.com

## Commercial Information

*The Art of Powerful Cleaning...*

**Doc./Version/Date:** ABPB01-0805

**Title:** AIRBLAST INTERNAL PIPE CLEANING/COATING EQUIPMENT

### **Internal pipe cleaning and coating faster, easier, and more economical.**

Now, rotary clean and coat the full 360° inside of pipe surfaces from 6" (150 mm) to 381" (9700 mm) in diameter easier, faster and more economically with the Airblast PipeBlasters types 1010, 1020 and 1030 and coating types 2010, 2020 and 2030 and easily connect them to your standard blast pot, painting unit and air compressor without requiring additional equipment.

The highly efficient system removes mill scale, corrosion, rust, old coatings and other contaminants faster with less manpower and equipment. Equipment costs are lowered by eliminating expensive scaffolding, multiple blast pots, multiple air compressors and hoses. Using only two to three men to operate, the PipeBlaster system reduces labour costs substantially over blast-pot operations requiring a dozen men.

What's more, with the PipeBlaster, you get one machine that adapts to all media types, pipe sizes, container shape and adapts for Epoxy and coating applications. Plus, its sharp accuracy provides precise surface profiles rarely found with hand-held blast pot operations.



### **It's a white tornado in a pipe.**

The Airblast PipeBlaster's powerful self-propelled air blast cleaning system applies the same direct force as standard blast nozzles cleaning to white metal at rates faster than any other means.

### **Reduces Hazards.**

With pipes 24 inches (610 mm) and larger, the self-propelled PipeBlaster cart is driven into the pipe using remote controls to reduce hazards.

### **Adapts to Media, Pipe Sizes and Shapes**

Not only does the PipeBlaster adapt to pipes from 6" to 381" (150 to 9700 mm), it also uses a variety of media to clean the inside of tanks, tanker trucks, ships, vessels and metal containers. And it easily adapts to apply epoxy coating for internal pipe lining.

### **No Down-Time**

No time wasted stopping and dealing with equipment problems. With the Airblast PipeBlaster reliability you keep right on cleaning.

### **Eliminates Human Error**

PipeBlaster engineering provides for precise uniform cleaning rates and eliminates human error commonly. One time adjusting for the best surface and start blasting. A frequently check only for continuous surface result.

### The PipeBlaster Process

The system consists of a self-propelled cart, rotary head, rotary diffuser and venturi nozzles. For pipes larger than 24 inches, the self-propelled unit moves forward or reverse through the pipe as a rotating head with 2 or 3 Venturi nozzles blasts abrasive onto the interior pipe surfaces. For small pipes and closed vessels a guided boom with rotating head assembly can be provided.

Nozzles adjust from 15 to 90 degrees forward or reverse to further improve the efficiency for specific applications and to maximize cost savings, blast media can be recycled, cleaned and reused many times over with a Recovery and Reclaim System. We can supply this if required.

### Ordering Information Blasting Units

Stock Number : 1010 : 6" - 70" (150mm -1800mm), self-propelled after 24"  
1020 : 47" - 141" (1200mm -3600mm)  
1030 : 70" - 381" (1800mm - 9700mm)

### Ordering Information Painting Units

Stock Number : 2010 : 6" - 70" (150mm - 1800mm)  
2020 : 47" - 118" (1200mm - 3000mm)  
2030 : 70" - 374" (1800mm - 9500mm)

### Specifications

Cleaning Rate : Average: 215 to 810ft<sup>2</sup>/hour (20 to 75m<sup>2</sup>/hour), dependent upon pipe surface condition, CFM (m<sup>3</sup>/min) available, size/type of nozzle and required cleaning criteria)

Head Rotation : 30 - 70RPM

Usable Blast Media : Common abrasives

Air Pressure : 80 - 150psi (5.4 - 10.2bar)

Air Requirement : 600 - 800ft<sup>3</sup> (17 - 23m<sup>3</sup>) for 1010  
1100-1300ft<sup>3</sup> ( 32 - 37m<sup>3</sup>) for 1020 and 1030

Electrical : Voltage: 110VAC, single phase, Frequency: 50Hz, Amps: 20A (Options include: 60Hz, 220VAC, other special voltage and frequency requirements plus air motors and explosion proof systems).



Pipeblaster 1010, configured for pipes of 24" to 48" ID.

**Delivery includes (1010):**

One (1) extra wear tube  
External Operation Control Panel  
Diameter Adjustments  
Two Rotary Diffusers @ 15 and 90 degrees  
Blast Hose Coupling Connector  
Prepared for Shipment  
Owners Manual

**Delivery excludes (1010):**

Blast Nozzles  
Blast Hose  
Shipping and Freight  
Field Service  
Air Compressor  
Blast Pot  
Lance Centring Tools

**Delivery includes (1020 and 1030):**

One (1) extra Wear Tube  
Diameter Adjustments  
Three (3) Outlet Discharge Turret  
Out-Rigger Stabilizers (1030 only)  
Blast Hose Coupling Connector  
Blast Nozzle Couplings (3)  
Prepared for Shipment  
Owners Manual

**Delivery excludes (1020 and 1030):**

Blast Nozzles  
Blast Hose  
Shipping and Freight  
Field Service  
Air Compressor  
Blast Pot  
Lance Centering Tool  
Stabilizers or Outriggers

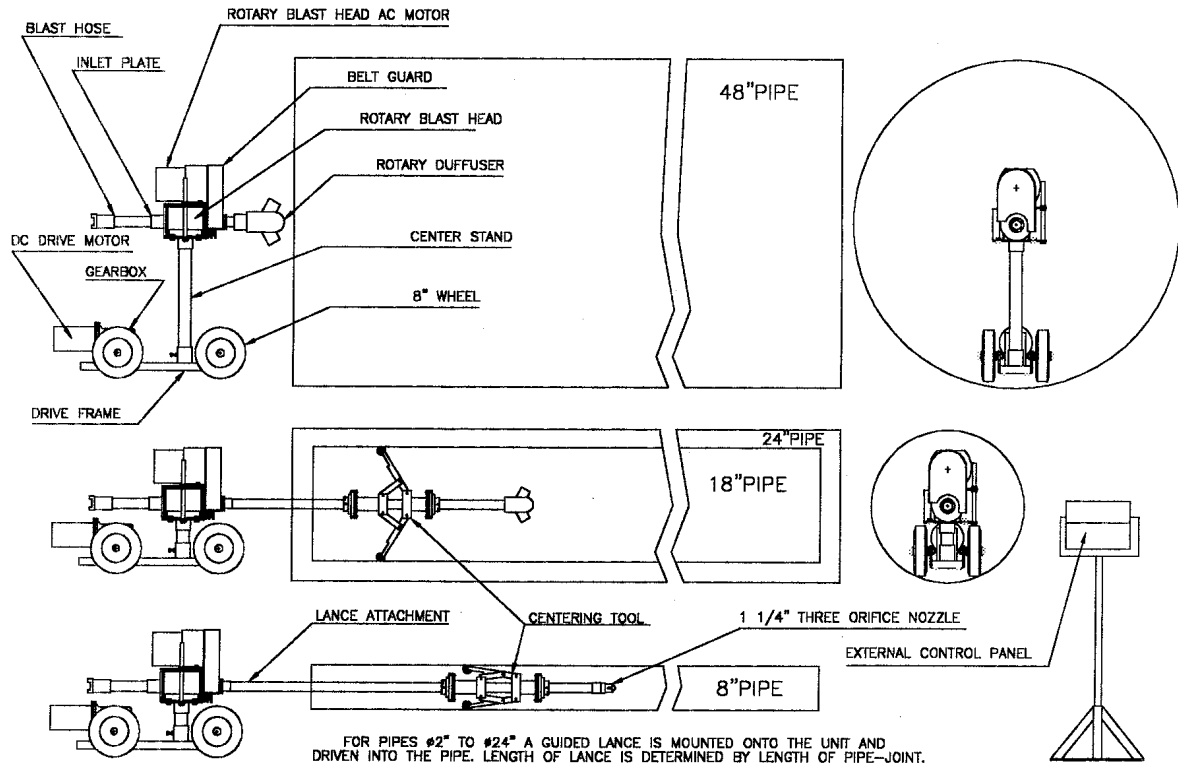
**Delivery includes (2010, 2020 and 2030):** **Delivery excludes (2010, 2020 and 2030):**

Three (3) 40 ft, 1/2" Air Hose  
Explosion Proof Air Motors  
Air Regulators  
External Control Panel  
Flow Meters  
Two (2) Spare Swivels  
Diameter Adjustments  
Prepared for Shipment  
Owner's Manual

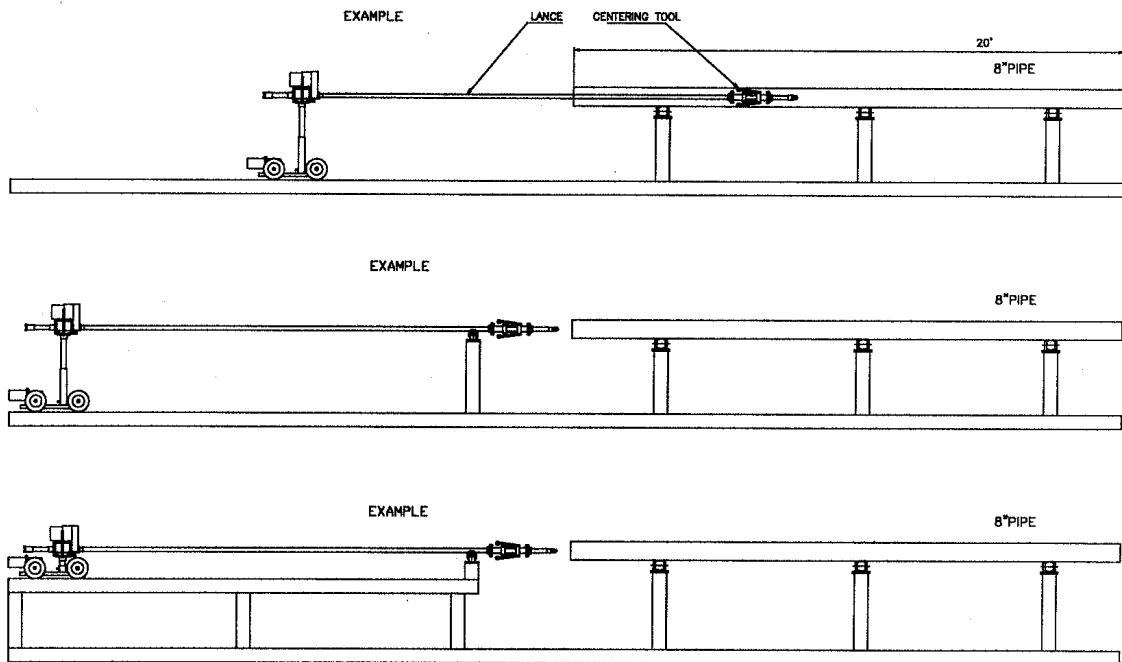
Airless Pumps and related Equipment  
Air Compressor  
Spray Tips  
Shipping and Freight  
Valves  
Stabilizer or Outriggers  
Lance Centring Tools

Performance Guarantee : Airblast B.V. guarantees the equipment to be free of defects and in good working condition for a period of sixty (60) days provided the equipment has not been damaged or altered in any way. Should any part or item fail or prove to be defective within the sixty (60) day guarantee, that item or part will be replaced by Airblast. Airblast does not guarantee "wearable items" such as blast hose, blast nozzles, couplings etc. nor does Airblast guarantee the electric motors since they are covered under the manufacturers warranty.

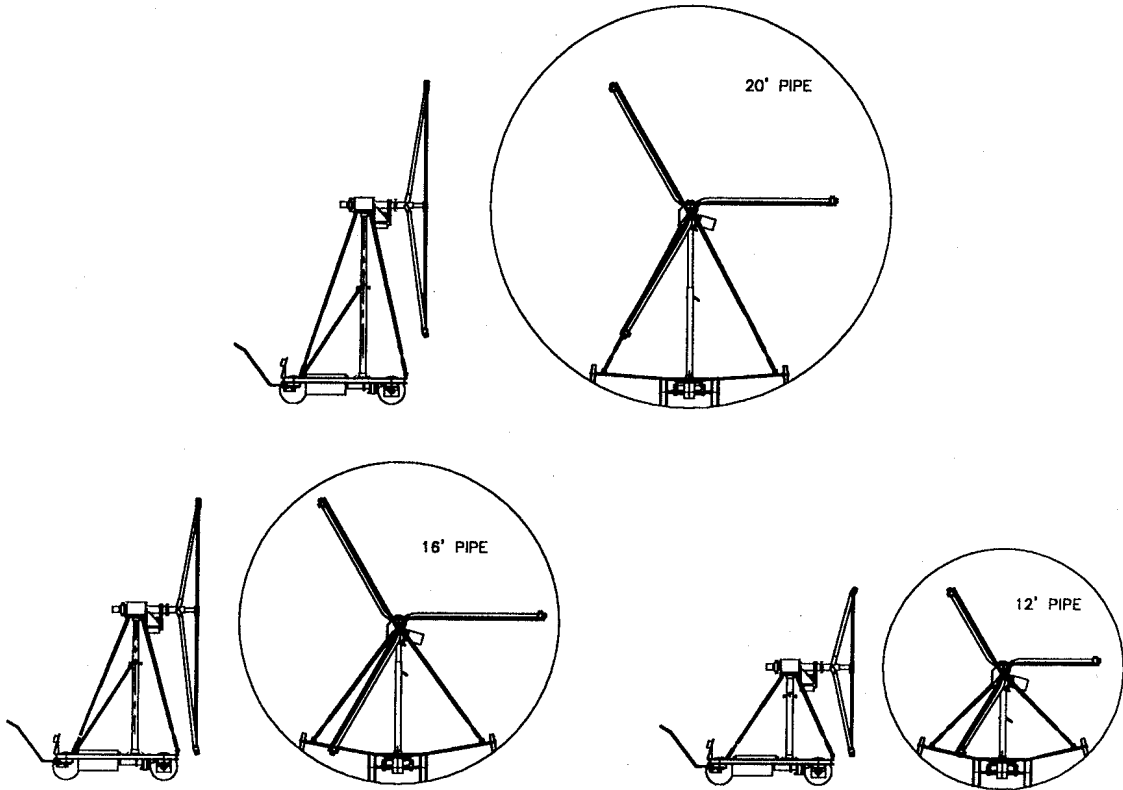
General Notes : Regarding "wear of spinning parts". The only spinning parts that come into contact with the blast grit are the Wear Tube and the Rotary Diffuser. These parts are guaranteed to last a minimum of 1000 working hours using by steelgrit abrasives. Replacement of these parts takes 10-15 minutes. All bearings, seals, rings, etc. do not come into contact with the blast grit, thus making the unit(s) extremely reliable. The Airblast PipeBlasters are built for "heavy-duty" blasting applications.



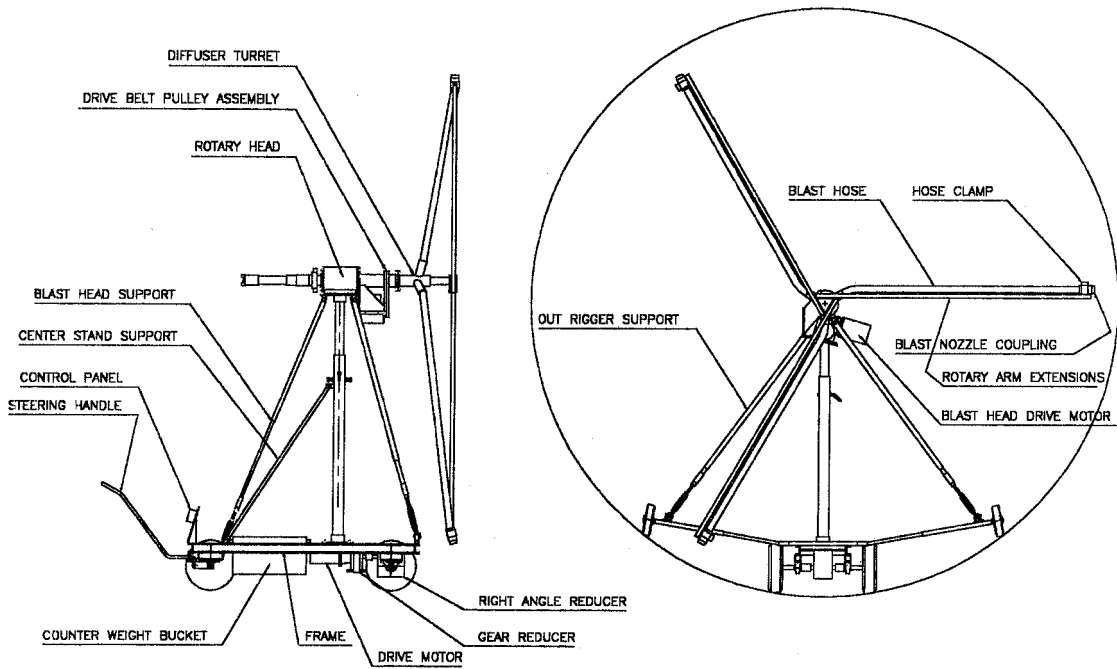
Airblast 1010



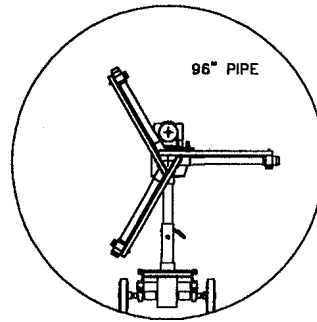
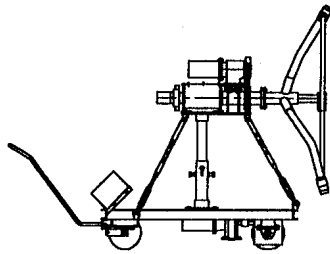
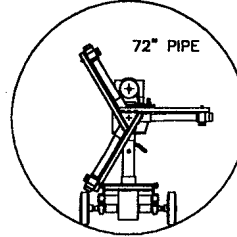
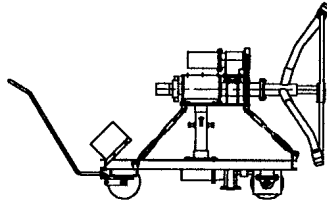
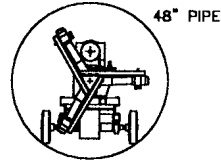
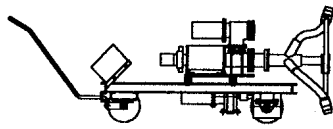
Airblast 1010



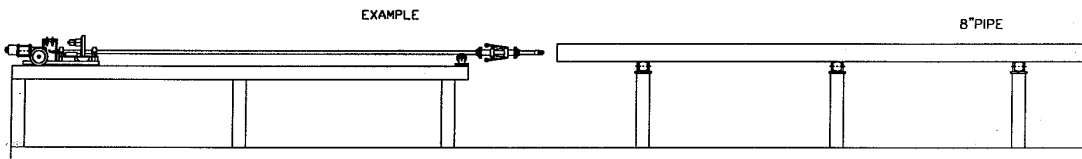
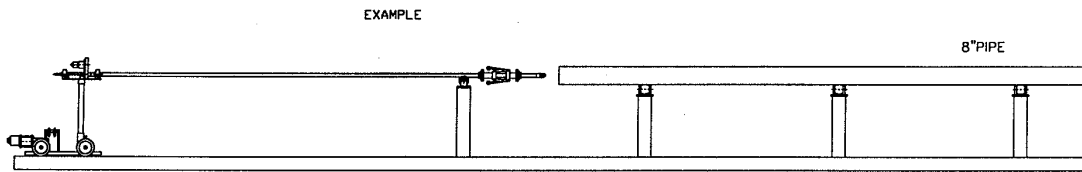
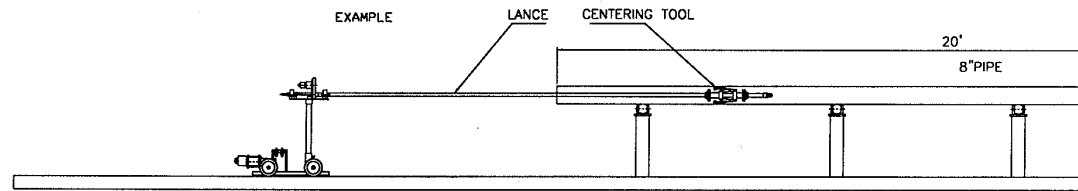
Airblast 1030



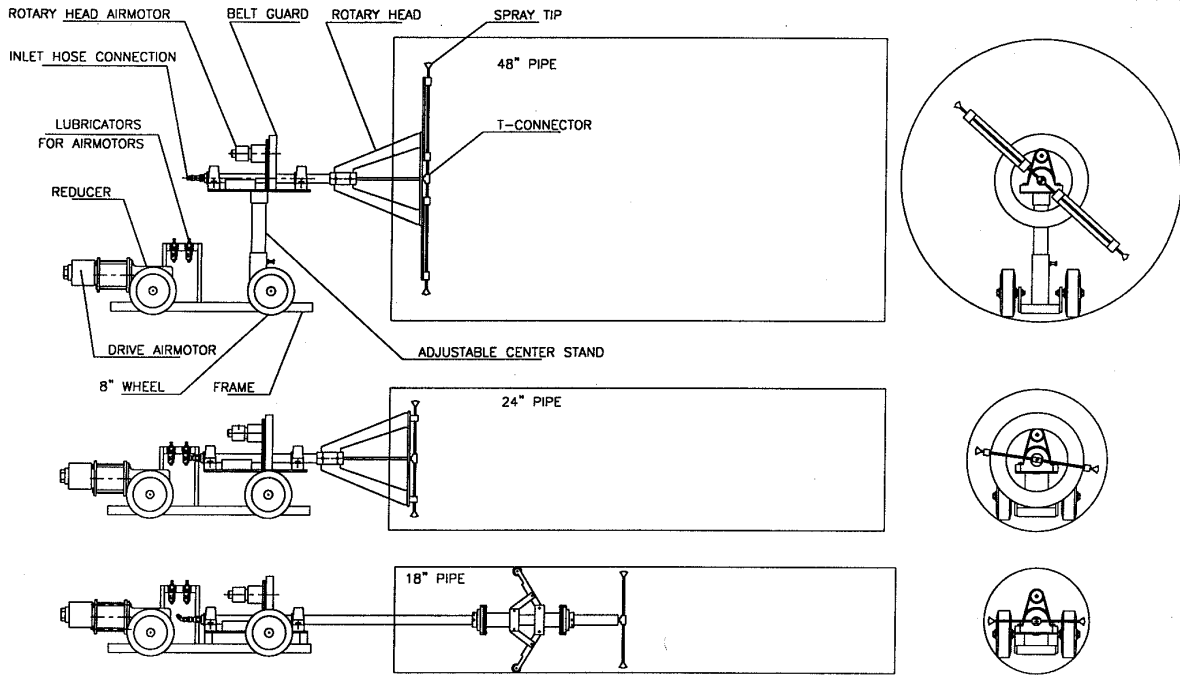
Airblast 1030



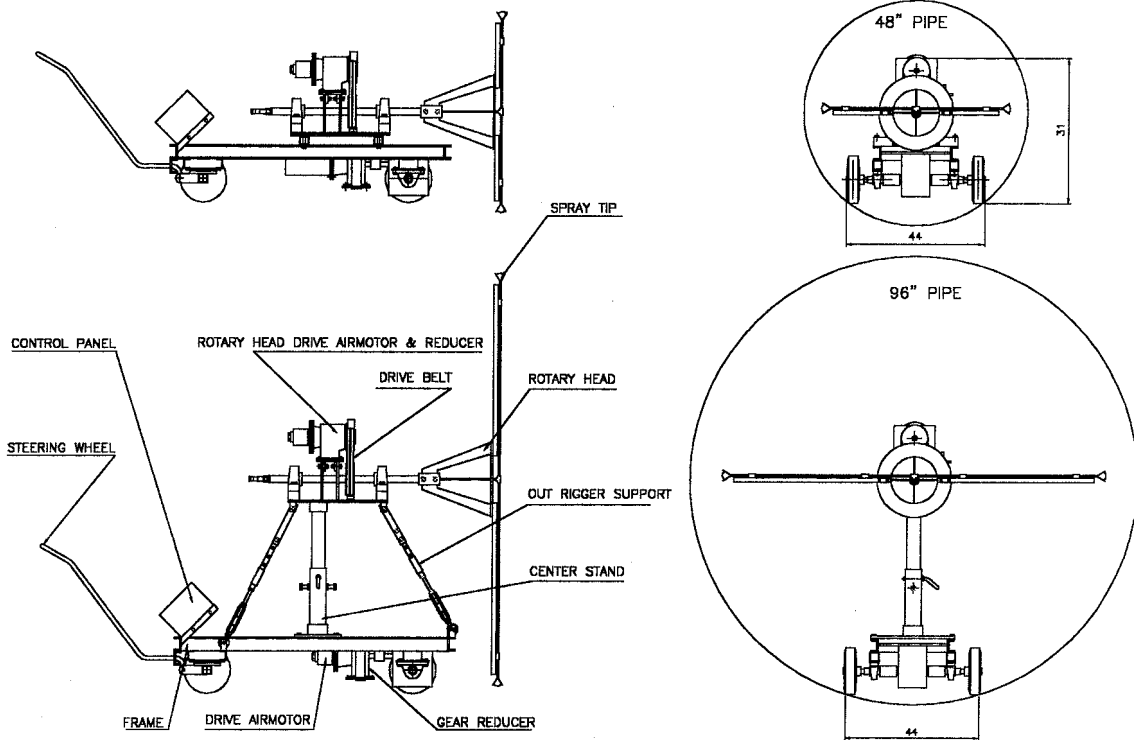
Airblast 1020



Airblast 2010



Airblast 2010



Airblast 2030