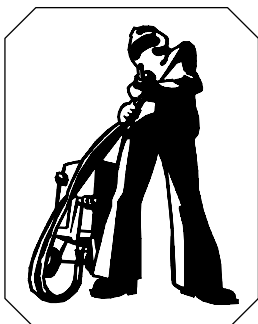


# OWNER'S MANUAL

## FRESCA AND MINIATURA PAINTSPRAY HELMETS

### IMPORTANT WARNING FOR SAFER PAINT SPRAYING

1. Use protective equipment: clothing, CE-approved air-fed helmet. Air for helmet must be supplied by a breathing air compressor or through a helmet air filter.
2. Avoid dust.
3. Do not spray with damaged or worn equipment.
4. Point nozzle only at area being painted.
5. Keep unprotected workers out of the painting area.
6. Before spraying:
  - Check fittings and hose for wear.
  - Check helmet filters and air supply.
  - Make sure paint spray machine is adequately grounded.
7. Do not substitute Airblast parts or modified equipment in any way.



### **AIRBLAST B.V.**

P.O. Box 1075

1700 BB Heerhugowaard

The Netherlands

Tel. : + 31-72-5718002

Fax : + 31-72-5714340

E-mail : [info@airblast.com](mailto:info@airblast.com)

Web : [www.airblast.com](http://www.airblast.com)

# FRESCA AND MINIATURA PAINTSPRAY HELMETS

---

## 1.0 INTRODUCTION.

**1.1** The helmets are used in a working environment where protection of the respiratory organs, face and head is required against particles, mists, vapors and gases.

When the helmet is connected to compressed air system, via the compressed air supply hose and the compressed air filter system, the filtered air flows through the entry vent at the front of the air helmet, leaving the helmet via the neck collar or the neck bib. The required flow of air can be adjusted by the regulator. The integral air flow indicator displays whether sufficient air is passing into the paintspray helmet. The disposable windows fitted against the helmet window can be removed when polluted. This can be done by pulling them out of the clamp in the direction shown as "pull". (this does not apply for the Fresca Paintspray helmet).

**1.2 Usage limitations.** The system is not suitable for use in areas with:

- Intense heat radiation, open fires, risk of explosion, an oxygen level lower than 19% or when extremely high concentrations of hazardous matter causing immediate health risk are present.
- When the ambient temperature is below freezing point, the humidity in the compressed air circuit can result in icing-up of coupling or regulator, blocking the further supply of air. In such cases, prior to use, it is necessary to determine that the humidity content in the compressed air (at atmospheric pressure) is less than 50 mg/m<sup>3</sup>, and is in accordance with DIN 3188 part 3.5. Generally available compressed air circuits do not usually comply with this requirement.
- The maximum length of the compressed air supply hose is 10 mtrs.
- Upon extreme human effort it is possible that a temporary negative pressure occurs in the helmet resulting in a reduction in the protection factor of the system.
- Air speeds in excess of 2 m/sec. can affect the protection factor of the Miniatura paintspray helmet.
- The ambient usage temperature should be between the limits of -10° C. and +50° C.
- When combined use is made of the compressed air, for both the helmets and air tools (e.g. paint spray) it is necessary to ensure that, at the maximum air consumption of the air tools, sufficient air is allowed to flow into the helmet. If necessary the working pressure can be adjusted.
- The system may be used solely by trained personnel, who are also fully aware of the hazards applicable to the work being carried out.

---

## 2.0 OPERATION.

**2.1 Prior to use.** Ensure for certain that the compressor is switched on and that it has been set to the correct operating pressure. A worn and/or dirty compressor produces polluted air that cannot be cleaned by the filter system. Make sure that the compressor cannot suck any dangerous matter via the air entry. Ensure that all components has been cleaned and inspected as detailed in paragraph 3.1 and 3.2. Adjust the working pressure on the filter system to between 5 & 6 Bar. If required, pull a disposable hood over the head and connect the air hood, via the compressed air supply to the air filter system. Adjust the headband to the correct length (not applicable for the Fresca paintspray helmet). Then, fit the paintspray helmet on the head. With the Miniatura paintspray helmet, draw the face collar back under the chin, so that the helmet is sealed off, and then tighten the belt. For the Fresca paintspray helmet, close the neck bib, so obtaining sufficient air pressure in the helmet and, then, tighten the belt.

**2.2 During use.** Adjust the volume of air according to the requirements. The integrated air flow indicator warns the user when insufficient air is being supplied. For safety reasons the regulator cannot be closed entirely. Depart the working area immediately if there is an interruption in the air supply. Ensure that the compressed air supply hose cannot be trapped, causing interference with the air supply or preventing a rapid departure from the work area.

# FRESCA AND MINIATURA PAINTSPRAY HELMETS

**2.3 After use.** After leaving the work area, unbuckle the belt, take off the helmet and disconnect the compressed air supply hose. Using a brush or a cloth, clean loose residue and dirt from the components, according to the instructions given in paragraph 3.1 and 3.2. When connecting and disconnecting, take care that no pollution enters the open air connections.

---

## 3.0 MAINTENANCE.

**3.1 Cleaning and disinfecting.** After each session clean the shot blast helmet, using a mixture of water and mild detergent. Subsequently, rinse thoroughly with clean water. (Do not use any solvents). The face collar and the head protection hood can be removed and washed in a washing machine, using a mild detergent at 30° C. Using a disinfectant, clean the inner surfaces of the helmet. Refer to the instructions given by the manufacturer. For the reason of hygiene, the helmet should preferably be worn by the same person. Using compressed air, blow clean the coupling and regulator. Finally using a dry cloth dry all the metal components, so avoiding corrosion. When cleaning, take care not to inhale hazardous matter that is released during cleaning.

**3.2 Functional check.** After cleaning, disinfecting or exchanging components, check the functioning of the system. Inspect all essential components for damage or pollution and, if required, replace these with original spare parts. If the air flow indicator shows insufficient air in the helmet, although the pressure is correctly adjusted, this could indicate that a blockage has occurred in the filter system, the compressed air hose, coupling or silencer. During this check hold the helmet in a vertical (normal working) position.

**3.3 Checking hose system for leakage.** Adjust the supply pressure to 0.5 bar, and then connect the helmet to the compressed air filter system via the compressed air supply hose. Using a suitable tool, pinch the air hose behind the coupling. Using a brush, apply a soap solution to possible problem areas. Soap balloons indicate leakage.

**3.4 Storage.** After use and cleaning, store the entire system in a cool, dry and dark location. Take measures to prevent component parts of the system coming into contact with oils, grease, solvents, acids or other chemicals.

**3.5 Fitting disposable windows.** Position a maximum of 3 disposable windows behind the clamps at each side of the helmet and, then, draw the windows tight against the main window. (this is not applicable for the Fresca paintspray helmet).

**3.6 Exchanging the face collar.** The face collar can be easily exchanged, after removal of several fixing parts. (this is not applicable for the Fresca paintspray helmet).

**3.7 Exchanging the neck bib.** For reasons of hygiene, replace the neck bib regularly, by releasing the zip fastener.

**3.8 Exchanging the window, Fresca paintspray helmet.** Remove the rivet at the top of the window and hinge open the upper window. The window can then slide out of the recess. Using compressed air, blow clean the recess. Taking an original spare window, bend it slightly and slide it from the top into the recess. Close the upper window and drill a hole in the window for fixture with the rivet.

**3.9 Exchanging the window, Miniatura paintspray helmet.** Remove the clamps holding the disposable windows and the face collar. Then remove the headband. Using a pointed tool, press in the lips on the upper and lower windows. The window can then be removed. Taking an original spare window, bend it slightly and slide from the top into the recess of the upper window, causing the lips to click into the holes. Repeat this procedure for the lower window.

## IMPORTANT

**AFTER REPLACING COMPONENTS, CARRY OUT A FUNCTIONAL CHECK.**

### 3.10 Maintenance frequency.

**Prior to use:** Functional checks for the user, check of control valve.

**After use:** Cleaning and disinfecting of the helmet; cleaning, functional checking and leakage inspection of the complete system.

**Every six months:** Cleaning and disinfecting of the helmet; cleaning, functional checking and leakage inspection of the complete system.

**Usage duration of filters:** It is advisable to renew the filters when a pressure difference of 0.6 bar occurs. For safety reasons, the filter should be renewed at least every six months or together with the coarse filter.

---

## 4.0 GENERAL.

Airblast can accept no liability for damage, in the widest possible sense; of the owner, user or others involved with the use of the safety product, or third parties; occurring directly or indirectly in connection with unprofessional use and or maintenance of the safety product, including use for purposes other than those for which it is intended, and/or failure to observe totally or in part or deviations from the instructions given in this manual and/or in connection with repairs to the safety product that were not carried out by or on behalf of our company. All transactions are further covered by our General Sales and Supply conditions. Airblast strives continuously to improve its products and reserves the right to amend the specifications as given in this manual without prior notice.

**Warning.** Within the boundaries of the European guidelines for Personal protective devices 89/686/EEC, only approved and appropriately marked "CE approved" protective devices may be marketed and used. Use of substitute, non-original spare parts, invalidates the CE approval and, also, all rights regarding guarantee, whereby the user, and also the person initially marketing these spares shall be punished by the relevant authorities of the EEC member countries, where additionally the entire product will be excluded from use and withdrawn from commercial transactions respectively. Original spares can be recognized by the affixed code numbers, supplemented with the manufacturer's mark and the "CE approval possibly supplemented with a year of applicability.

**4.1 Guarantee.** Airblast shall repair or replace this product free-of-charge if, after normal use and in accordance with this users manual, manufacturing faults and/or material faults occur within 6 months after the date of purchase. The guarantee lapses if the type or serial number has been changed, removed or made illegible.

# FRESCA AND MINIATURA PAINTSPRAY HELMETS

## 4.2 Statutory requirements & regulations.

**89/686/EG:** European guideline for Personal protective devices (89/686/EG).

**Law on technical provisions (D):** Applicable only for Miniature paintspray helmet. This product has the GS mark of approval.

**ZH/1/701 (D):** Recommendations for the use of respiratory protective means. Published April 1994.

**Standards DIN 58648-LD (D):** Respirators with compressed air hose supply.

**Standards EN 270:** Respirators with compressed air hose supply.

**Standard EN1865:** Respirators with compressed air hose supply: light designs.

**Standards DIN 3188 (D):** Breathing air.

**System approval by:** DMT-Gesellschaft für Forschung und Prüfung mbH (D). (German Institute for research and testing).

### TECHNICAL SPECIFICATION

Protection factor	100 according to ZH 1/701	
Window classification	EN 166, EN 170	
Operating pressure	Min.: 5 bar (73 psi)	Max.: 4,5 Bar (88 psi)
Air flow	Min.: 130 ltr/min	Max.: 240 ltr/min
Ambient use temperature	Min.: -10 degrees C.	Max.: 60 degrees C.
Noise level	Min.: 70 dB (A)	Max.: 73 dB (A)
Hose length	Min.: -	Max.: 10 metres
Weight	Fresca: 1640 gr.	Miniatura: 700 gr.

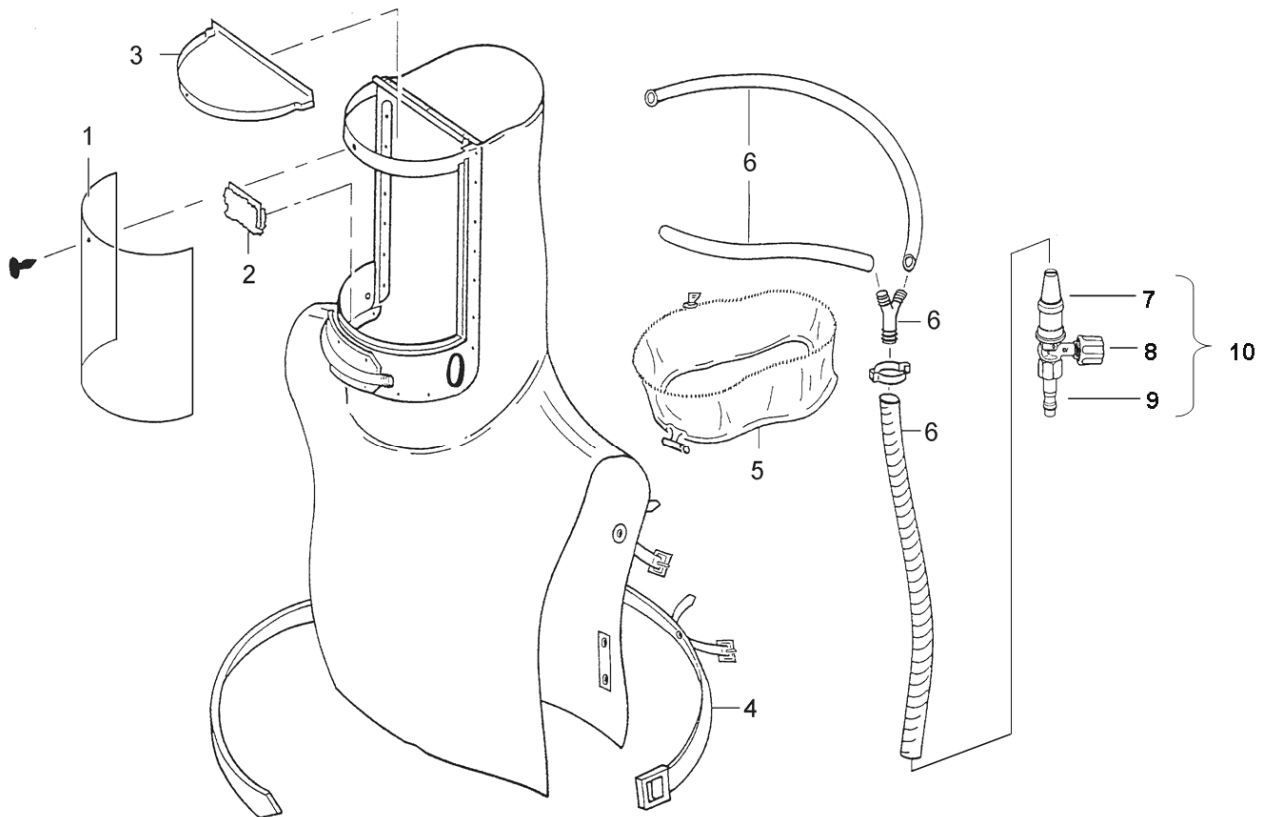
# FRESCA AND MINIATURA PAINTSPRAY HELMETS

## 5.0 FRESCA PAINTSPRAY HELMET.

ART.NR.	MODEL	DESCRIPTION
40300	FRESCA	Fresca air supplied paintspray helmet, complete. Acetate window (210 x 320 mm). Build-in silencer, waist length cape. Weights 1.6 kgs. CE-approved.

## 5.1 SPARE PARTS.

01)	40320	Acetate window, 215 x 320 x 0.8 mm
02)	40330	Filter mat for baffle-plate type A
03)	40310	Aluminium protective top plate
	40311	Polycarbonate protective top plate
04)	40150	Waist belt type A
05)	40110	Neck bib
06)	40345	Hose assembly
07)	40180	Silencer type P
08)	40190	Airflow regulator
09)	40191	Nipple CEJN with ¼" inner thread
10)	40196	Coupling, regulator and silencer



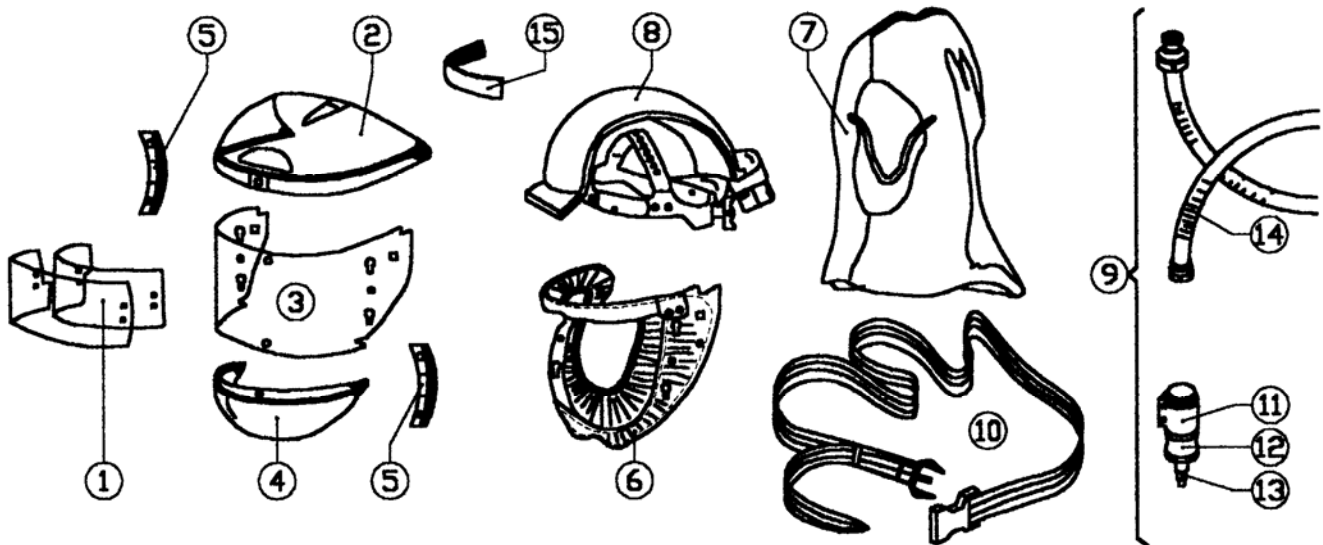
# FRESCA AND MINIATURA PAINTSPRAY HELMETS

## 5.2 MINIATURA PAINTSPRAY HELMET.

ART.NR.	MODEL	DESCRIPTION
40380	MINIATURA	Miniatura paintspray helmet, complete. Incl. 10 disposable outer lenses Weight on the head: 0.7 kgs

## 5.3 SPARE PARTS.

01)	40436	Disposable outer lens (100 pcs. per set)
02)	40449	Top shield acetate
03)	40441	Inner lens acetate
04)	40439	Bottom shield acetate
05)	40438	Clamp for disposable window (set of 2)
06)	40448	Face collar
07)	40420	Disposable hood
08)	40447	Adjustable headband with air connection
09)	40442	Hose 22 mm with bayonet connection complete with: <ul style="list-style-type: none"> <li>- Airflow regulator</li> <li>- Waist belt</li> <li>- Silencer</li> <li>- Nipple</li> </ul>
10)	40446	Waist belt
11)	40444	Silencer for airflow regulator
12)	40191	Nipple CEJN with ¼" inner thread
13)	40443	Hose 22 mm with bayonet connection
14)	40198	Self-adhesive sweatband



## **Airblast Group**

### **Airblast B.V.**

P.O. Box 1075  
1700 BB Heerhugowaard  
The Netherlands  
Tel. : + 31 72 5718002  
Fax : + 31 72 5714340  
E-mail : info@airblast.com  
Web : www.airblast.com

### **Airblast Middle East L.L.C.**

P.O. Box 33419  
Dubai  
United Arab Emirates  
Tel. : + 971 4 3242776  
Fax : + 971 4 3242778  
E-mail : airblast@emirates.net.ae

### **Airblast Saudi Arabia**

P.O. Box 30476  
Al-Khobar 31952  
Kingdom of Saudi Arabia  
Tel. : + 966 3 8473178  
Fax : + 966 3 8471430  
E-mail : info@airblast.com.sa

### **Asia Airblast Pte Ltd.**

56, Tech Park Crescent  
Tuas Tech Park  
Singapore 638085  
Tel. : + 65 6266 6010  
Fax : + 65 6266 6968  
E-mail : airblastsg@singnet.com.sg

### **AB Corrosion Control Equipment Sdn Bhd**

No. 33, Jalan Permas 3/18  
Bandar Baru Permas Jaya  
81750 Masai, Johor Darul Takzim  
Malaysia  
Tel. : + 60 7357 7989  
Fax : + 60 7357 7689  
E-mail : airblastmy@airblastasia.org