



BLAST MACHINES - SYSTEMS -

ART.NR.	MODEL	DESCRIPTION
---------	-------	-------------

10019	SYSTEM-3	System with ABSC-1028 - 17 litre Blast Machine
-------	----------	--

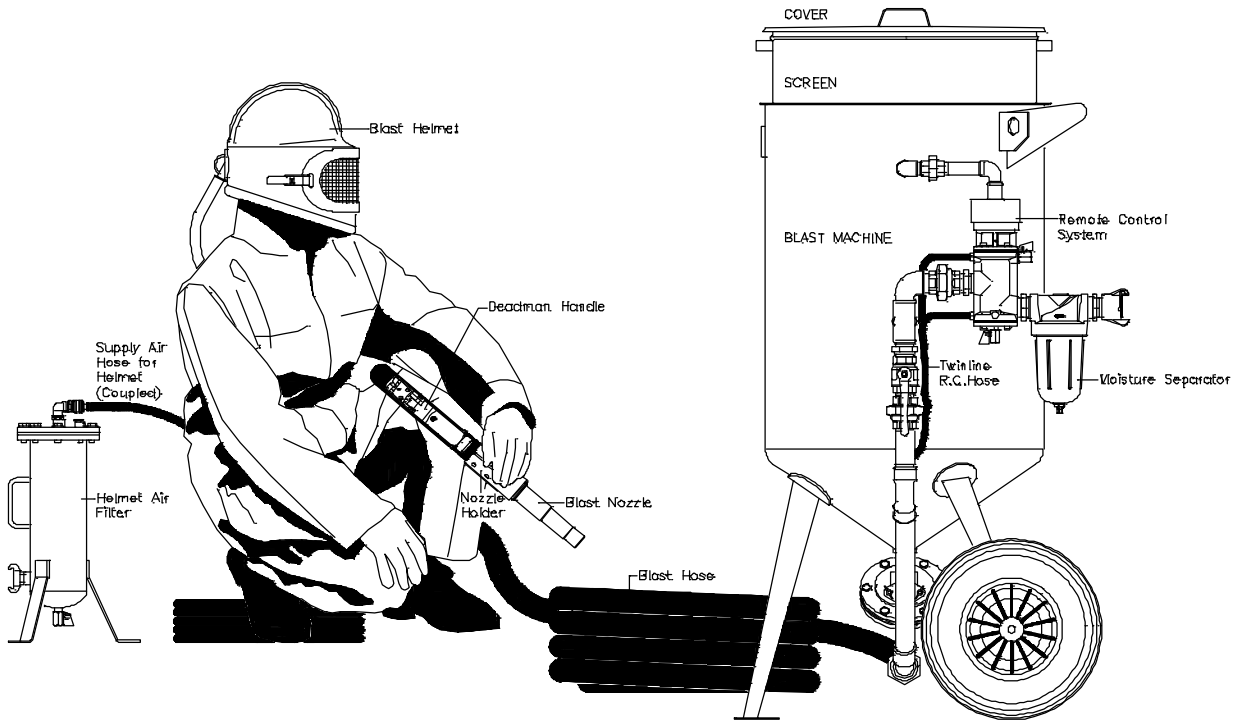
THE SYSTEM-3 INCLUDES:

Blast machine ABSC-1028 (17 litre), remote control system ARC-50-H, moisture separator CLEARLINE-1/2", screen, cover, 5 meters remote control hose, 5 meters blast hose 13 x 7 (1/2") with nozzle holder and coupling, tungsten-carbide lined AT-5 nozzle, 41P2 helmet air filter, 5 meters helmet air hose, PANORAMA-I blast helmet with 25 spare outer lenses, leather/cotton overall size 56 and a pair of leather blasting gloves.

10039	SYSTEM-4	System with ABSC-1440 - 60 litre Blast Machine
10059	SYSTEM-5	System with ABSC-1648 - 100 litre Blast Machine
10079	SYSTEM-6	System with ABSC-2048 - 140 litre Blast Machine
10099	SYSTEM-7	System with ABSC-2452 - 200 litre Blast Machine

THE SYSTEMS 4, 5, 6 AND 7 INCLUDES:

Blast machine fitted with remote control system RCV-125, FSV abrasive valve, 1 1/2" moisture separator CLEARLINE-1 1/2", screen, cover, 20 meters remote control hose, 20 meters heavy duty blast hose 32 x 8 (1 1/4") with nozzle holder NNH-48 and coupling CQT-2, high production venturi tungsten-carbide lined blast nozzle ATSDX-6/50, 41P2 helmet air filter, 20 meters helmet air hose, PANORAMA-I blast helmet with 50 spare outer lenses, leather/cotton overall size 56 and a pair of leather blasting gloves.





BLAST MACHINES MANUAL SINGLE CHAMBER

ART.NR.	MODEL	DESCRIPTION		
10010	ABSC-1028	Blast machine with AP-7	17	litre capacity
10013	ABSC-1028	Blast machine with GVA-12	17	litre capacity
10030	ABSC-1440	Blast machine with FSV	60	litre capacity
10040	ABSC-1440	Blast machine with SGV	60	litre capacity
10050	ABSC-1648	Blast machine with FSV	100	litre capacity
10060	ABSC-1648	Blast machine with SGV	100	litre capacity
10070	ABSC-2048	Blast machine with FSV	140	litre capacity
10080	ABSC-2048	Blast machine with SGV	140	litre capacity
10090	ABSC-2452	Blast machine with FSV	200	litre capacity
10100	ABSC-2452	Blast machine with SGV	200	litre capacity
10110	ABSC-2460	Blast machine with FSV	300	litre capacity
10120	ABSC-2460	Blast machine with SGV	300	litre capacity

EACH MACHINE INCLUDES:

- 1¼" Piping (except 1028 - ½" Piping)
- All basic items the machine needs for a manual blasting operation

The machine number refers to the machine sizes.

The first 2 digits indicate the diameter of the vessel in inches.

The last 2 digits indicate the total machine height in inches, without screen and cover.

ABSC-series blasting machines are mobile on 2 wheels and 1 leg.

On special order also available as stationary units at the same price.

FSV	: Flat Sand Valve 1¼"
SGV	: Steel Grit Valve with rubber sleeve 1" (1¼" also available)
AP-7	: Abrasive valve ½"
GVA-12	: Abrasive membrane valve ½"

BLAST MACHINES MANUAL DOUBLE CHAMBERS

ART.NR.	MODEL	DESCRIPTION		
WITH FSV				
10170	ABDC-2460/1	Blast machine with 1 outlet	300	litre capacity
10180	ABDC-2460/2	Blast machine with 2 outlets	300	litre capacity
WITH SGV				
10210	ABDC-2460/1	Blast machine with 1 outlet	300	litre capacity
10220	ABDC-2460/2	Blast machine with 2 outlets	300	litre capacity



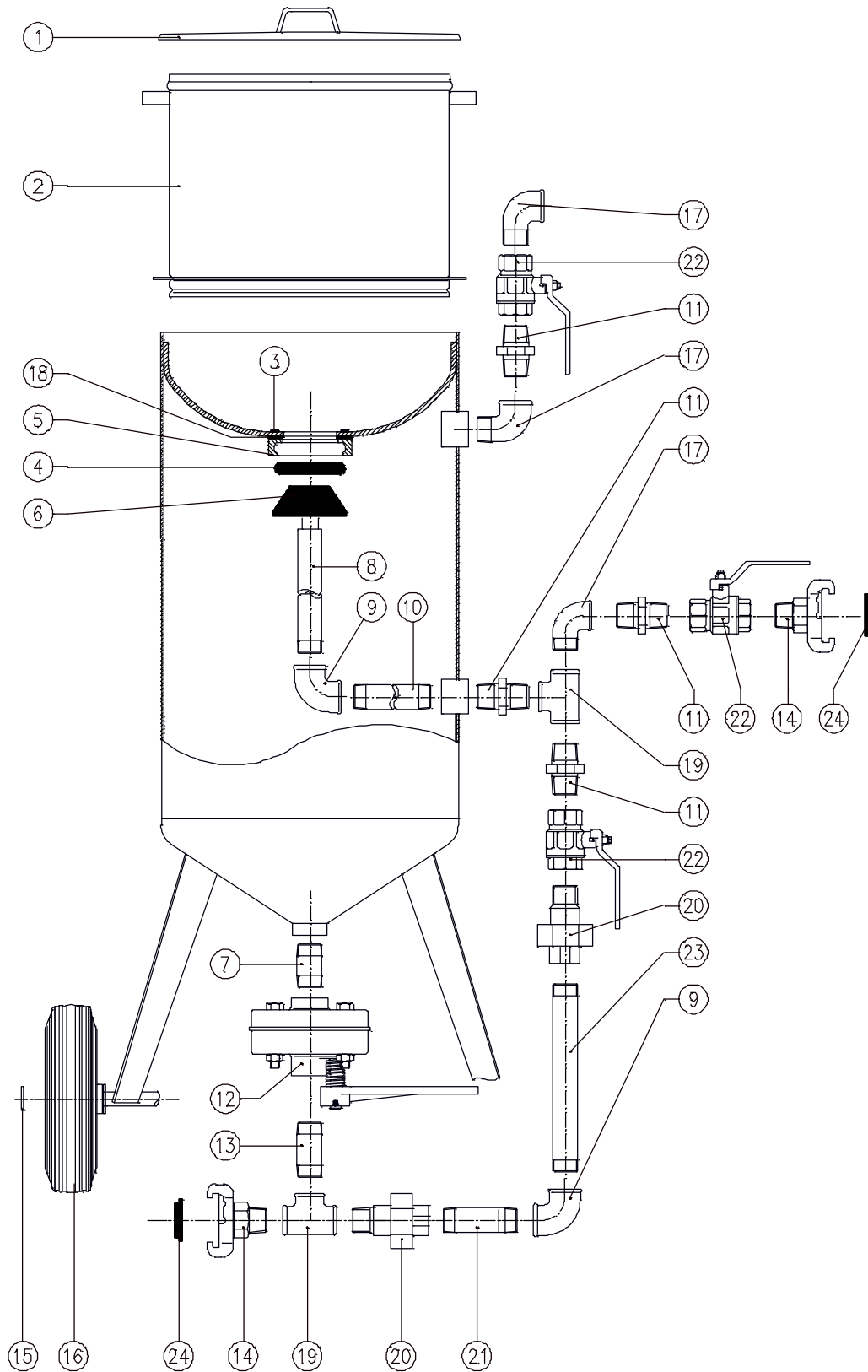
SPARE PARTS FOR ABSC-1028 1/2" PIPING

ART.NR.	MODEL	DESCRIPTION	
Specification of parts for blast machines with 1/2" machine piping:			
1) 10700		Cover for 1028 (17 L)	(1)
2) 10710		Screen for 1028 (17 L)	(1)
3) 10720		Pop-up valve seat retainer bolt	(4)
4) 10730	AP-5	Pop-up O-ring	(1)
5) 10740		Pop-up valve seat retainer	(1)
6) 10750	AP-2	Pop-up valve with shaft	(1)
7) 22253		Pipe 1/2" l=45 mm, can be replaced by (11)	(1)
8) 10770		Inner pipe 1/2" for 1028 (17 L)	(1)
9) 21973		Elbow 1/2" FF no. 090	(2)
10) 10790		Inner pipe 1/2" for 1028 (17 L)	(1)
11) 22253		Hex nipple 1/2"	(4)
12) 60260	AP-7	Abrasive control valve 1/2"	(1)
13) 10810		Pipe 1/2" for 1028 (17 L)	(1)
14) 21702	KAG-12	Quick coupling 1/2" with outside thread	(2)
15) 10820		Lock ring axle set	(2)
16) 10830		Wheel for 1028 (17 L)	(2)
17) 21993		Elbow 1/2" FM no. 092	(3)
18) 10950		Gasket for pop-up valve seat retainer	(1)
19) 22113		T-piece 1/2" FFF no. 130	(2)
20) 22493		Union 1/2" FM no. 341	(2)
21) 10870		Pipe 1/2" for 1028 (17 L)	(1)
22) 10900	AP-1	Air valve 1/2"	(3)
23) 10890		Pipe 1/2" for 1028 (17 L)	(1)
24) 21640	CQG-0	Rubber coupling gasket	(2)

All parts required in quantities shown ()



ABSC-1028 BLAST MACHINE (17 LITRE)





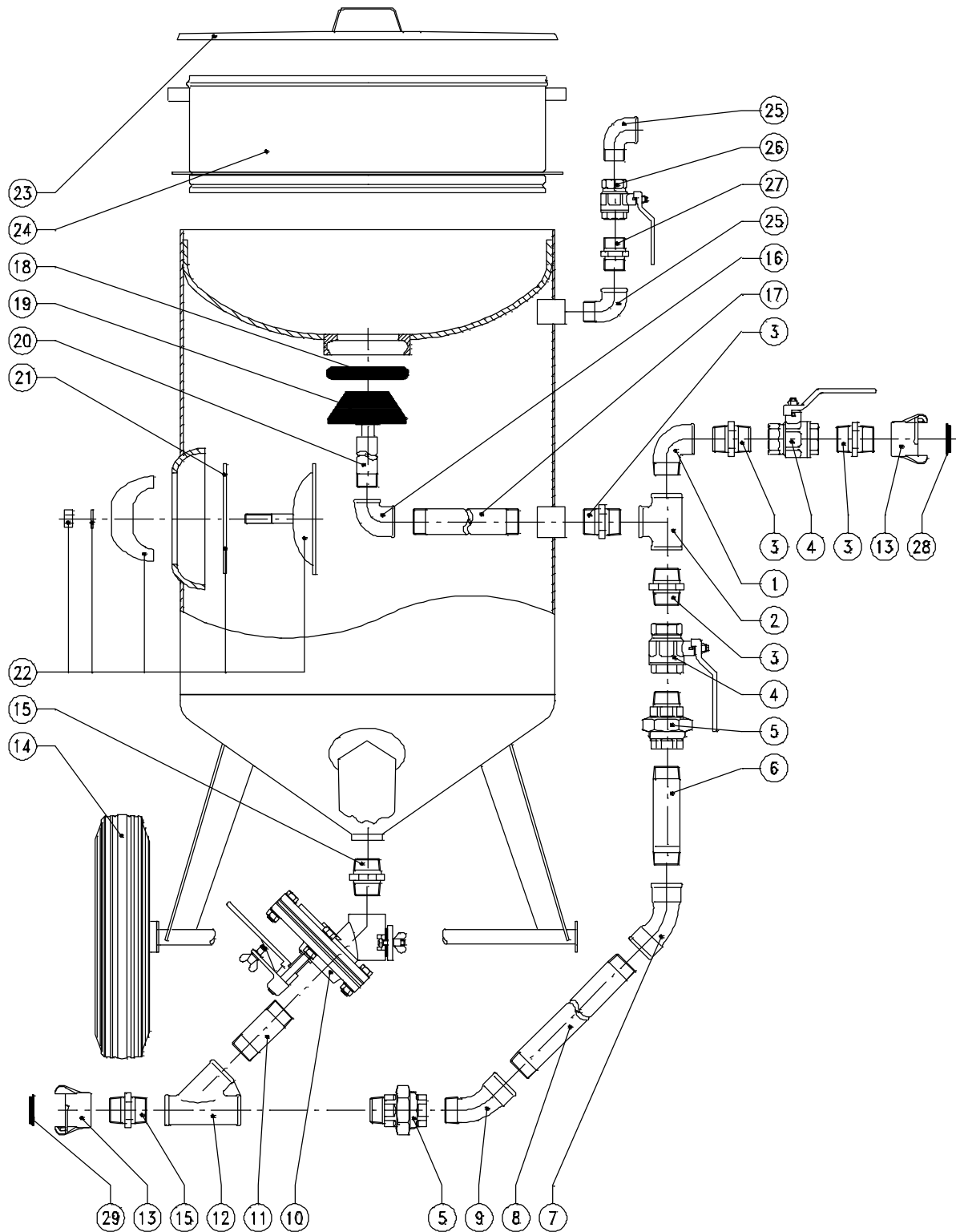
SPARE PARTS ABSC-1440 TO ABSC-2460 1 1/4" PIPING

ART.NR.	MODEL	DESCRIPTION
Specification of parts for single chamber blast machines with 1 1/4" machine piping:		
1) 21996	P-10	Elbow 1 1/4" FM no. 92 (1)
2) 22116		T-piece 1 1/4" FFF no. 130 (1)
3) 22256		Hex nipple 1 1/4" MM no. 280 (4)
4) 11930		Air valve 1 1/4" (2)
5) 22496		Union 1 1/4" FM no. 341 (2)
6) 10340		Pipe 1 1/4" for 2452 (200 L) (1)
10350		Pipe 1 1/4" for 1440 (60 L) (1)
10360		Pipe 1 1/4" for 1648 (100 L) (1)
10370		Pipe 1 1/4" for 2048 (140 L) (1)
7) 21936		Elbow 1 1/4" FF no. 41 (1)
8) 13390		Pipe 1 1/4" for 2452 (200 L) (1)
13400		Pipe 1 1/4" for 1440 (60 L) (1)
13405		Pipe 1 1/4" for 1648 (100 L) (1)
13410		Pipe 1 1/4" for 2048 (140 L) (1)
9) 21916	FSV	Elbow 1 1/4" FM no. 40 (1)
10) 60010		Abrasive valve 1 1/4" (1)
11) 10460		Pipe 1 1/4" x 100 mm, rubber lined (1)
12) 10440		P-8-R Y-piece 1 1/4", rubber lined (1)
13) 21630	CFT	Coupling 1 1/4" incl. rubber gasket (2)
14) 10650		Wheel required for 1440 (60 L) (2)
10660		Wheel required for 1648 (100 L) (2)
10670		Wheel required for 2048 (140 L) (2)
10680		Wheel required for 2452 (200 L) and 2460 (300 L) (2)
15) 10450	P-32	Hex nipple 1 1/4", rubber lined (2)
16) 22596		Elbow 1 1/4" x 1" FF no. 90 (1)
17) 10270		Inner pipe 1 1/4" for 2452 (200 L) and 2460 (300 L) (1)
10280		Inner pipe 1 1/4" for 1440 (60 L) (1)
10290		Inner pipe 1 1/4" for 1648 (100 L) (1)
10300		Inner pipe 1 1/4" for 2048 (140 L) (1)
18) 11920	P-5	Pop-up O-ring (1)
19) 11880	P-2F	Pop-up valve with shaft, flat (1)
11881	P-2R	Pop-up valve with shaft, round
11890		pop-up valve only, flat
11891		pop-up valve only, round
11900		washer 21 mm
11910		pipe 1/2" x 165 mm
20) 10500		Pipe 1" for 2048 (140 L) and 2452 (200 L) (1)
10510		Pipe 1" for 1440 (60 L) (1)
10520		Pipe 1" for 1648 (100 L) (1)
21) 10470		Inspection door gasket (1)
22) 10480		Inspection door assy (1)
23) 10570		Cover for 1440 (60 L) (1)
10580		Cover for 1648 (100 L) (1)
10590		Cover for 2452 (200 L) and 2460 (300 L) (1)
10600		Cover for 2048 (140 L) (1)
24) 10530		Screen for 1440 (60 L) (1)
10540		Screen for 1648 (100 L) (1)
10550		Screen for 2452 (200 L) and 2460 (300 L) (1)
10560		Screen for 2048 (140 L) (1)



BLAST MACHINE (60 TO 300 LITRE)

ART.NR.	MODEL	DESCRIPTION				
25) 21995	CQG	Elbow 1"	FM	no.	92	(2)
26) 11130		Air valve 1"				(1)
27) 22255		Hex nipple 1"	MM	no.	280	(1)
28) 21650		Rubber coupling gasket				(2)





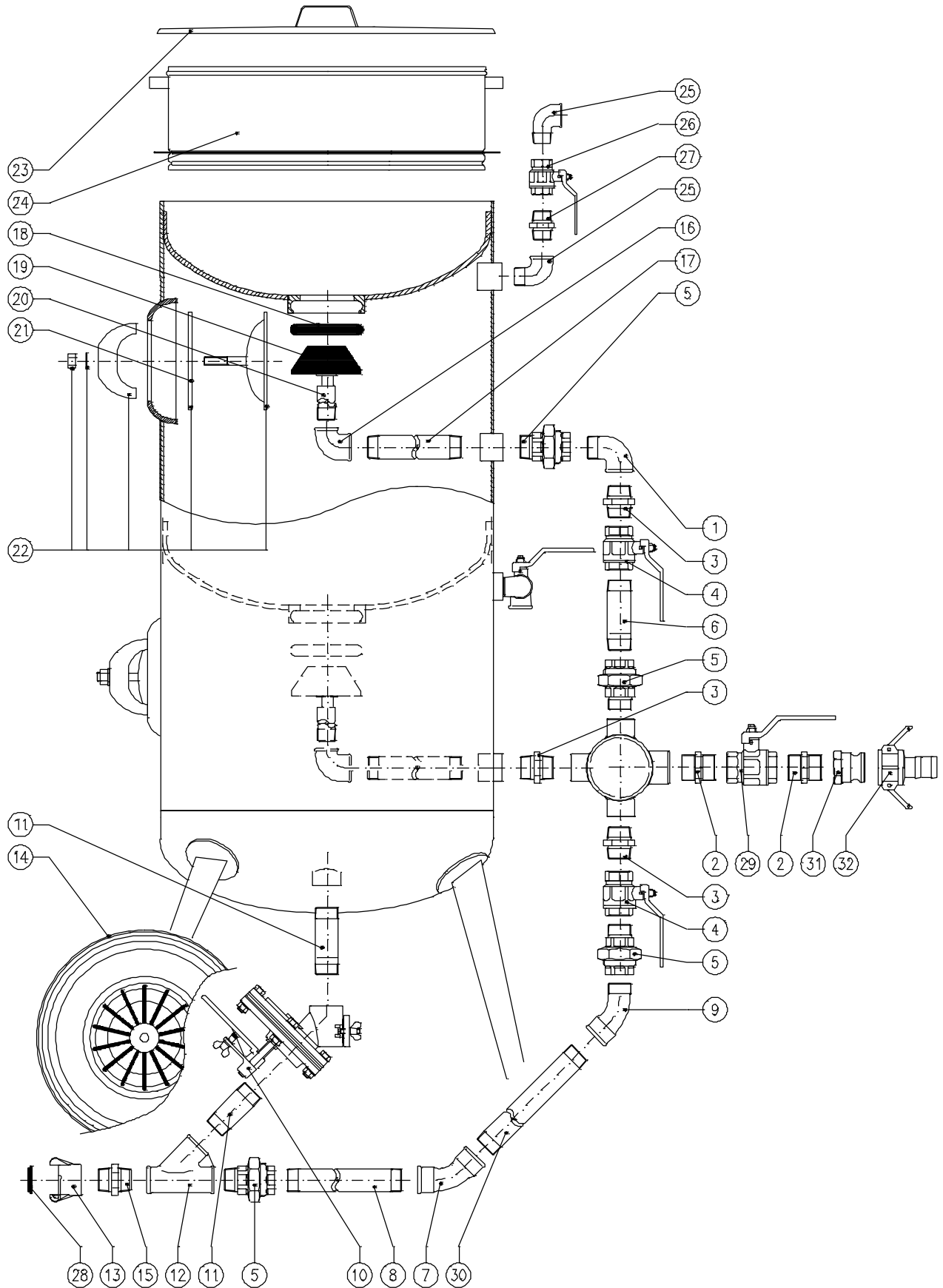
SPARE PARTS ABDC-2460/2 (2 OUTLETS) 1 1/4" PIPING

ART.NR.	MODEL	DESCRIPTION
Specification of parts for double chamber blast machine with 1 1/4" machine piping:		
1) 21996	P-10	Elbow 1 1/4" FM no. 92 (1)
2) 22257		Hex nipple 1 1/2" (1)
3) 22256		Hex nipple 1 1/4" (5)
4) 11930		Air valve 1 1/4" (3)
5) 22496		Union 1 1/4" FM no. 341 (6)
6) 10351	FSV	Pipe 1 1/4" x 170 mm (2)
7) 21936		Elbow 1 1/4" FF no. 41 (2)
8) 13415		Pipe 1 1/4" (2)
9) 21916		Elbow 1 1/4" FM no. 40 (2)
10) 60010		Abrasive valve 1 1/4" (2)
11) 10460	P-31	Pipe 1 1/4" x 100 mm, rubber lined (4)
12) 10440	P-8-R	Y-piece 1 1/4", rubber lined (2)
13) 21630	CFT	Quick coupling 1 1/4" thread, cast iron (2)
14) 10680	P-32	Wheel (2)
15) 10450		Hex nipple 1 1/4", rubber lined (2)
16) 22596	P-5 P-2F P-2R	Elbow 1 1/4" x 1" FF no. 90 (2)
17) 10270		Inner pipe 1 1/4" (2)
18) 11920		Pop-up O-ring (2)
19) 11880		Pop-up valve with shaft, flat (2)
11881		Pop-up valve with shaft, round (2)
11890		pop-up valve only, flat
11891		pop-up valve only, round
11900		washer 21 mm
11910		pipe 1/2" x 165 mm
20) 10520		Pipe 1" x 160 mm (2)
21) 10470		Inspection door gasket (2)
22) 10480		Inspection door assy (2)
23) 10590		Cover (1)
24) 10550		Screen (1)
25) 21995		Elbow 1" FM no. 92 (4)
26) 11130	CQG	Air valve 1" (2)
27) 22255		Hex nipple 1" (2)
28) 21650		Rubber coupling gasket (2)
29) 11131		Air valve 1 1/2" (1)
30) 13395		Pipe 1 1/4" (2)
31) 23004		Camlock adaptor 1 1/2" (1)
32) 23028	Camlock coupler 1 1/2" (1)	

Items 25, 26 and 27 are in reality positioned 90° counter-clockwise with regard to their position in the drawing on Page 9.



DOUBLECHAMBER BLAST MACHINE (300 LITRE) - TWO OUTLETS -





SPARE PARTS ABSC-1028

1/2" PIPING, FITTED WITH REMOTE CONTROL AND MOISTURE SEPARATOR

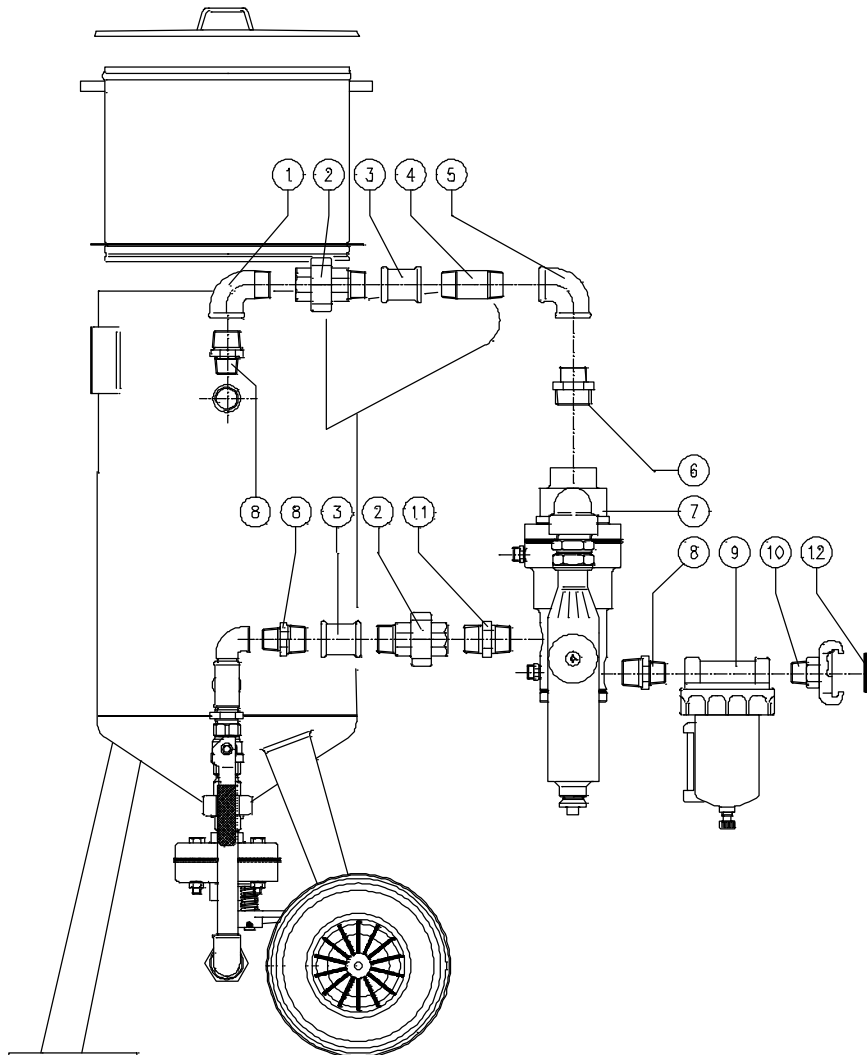
ART.NR.	MODEL	DESCRIPTION
---------	-------	-------------

Specification of parts to fit the ARC-50-H remote control valve and Clearline moisture separator to blast machine ABSC-1028 (17 litre)

1) 22910		Elbow 3/4" FM no. 092 (1)
2) 22908		Union 3/4" FM no. 341 (2)
3) 22911		Socket 3/4" FF no. 270 (2)
4) 22906		Pipe 3/4" x 60 mm (incl. thread) (1)
5) 22907		Elbow 3/4" FF no. 090 (1)
6) 12093	ARC-50-H	Brass reduction nipple 3/4" x 1" (1)
7) 11232		Remote control valve and silencer only (1)
8) 22753		Reduction nipple 1/2" x 3/4" (3)
9) 40560	CLEARLINE - 1/2"	Clearline 1/2" water filter / moisture separator (1)
10) 21702	KAG-12	Quick coupling 1/2" outside thread (1)
11) 22254		Hex nipple 3/4" (1)
12) 21640	CQG-0	Rubber coupling gasket (1)

All parts required in quantities shown ()

For all other machine spares, refer to Page 4 and Page 5



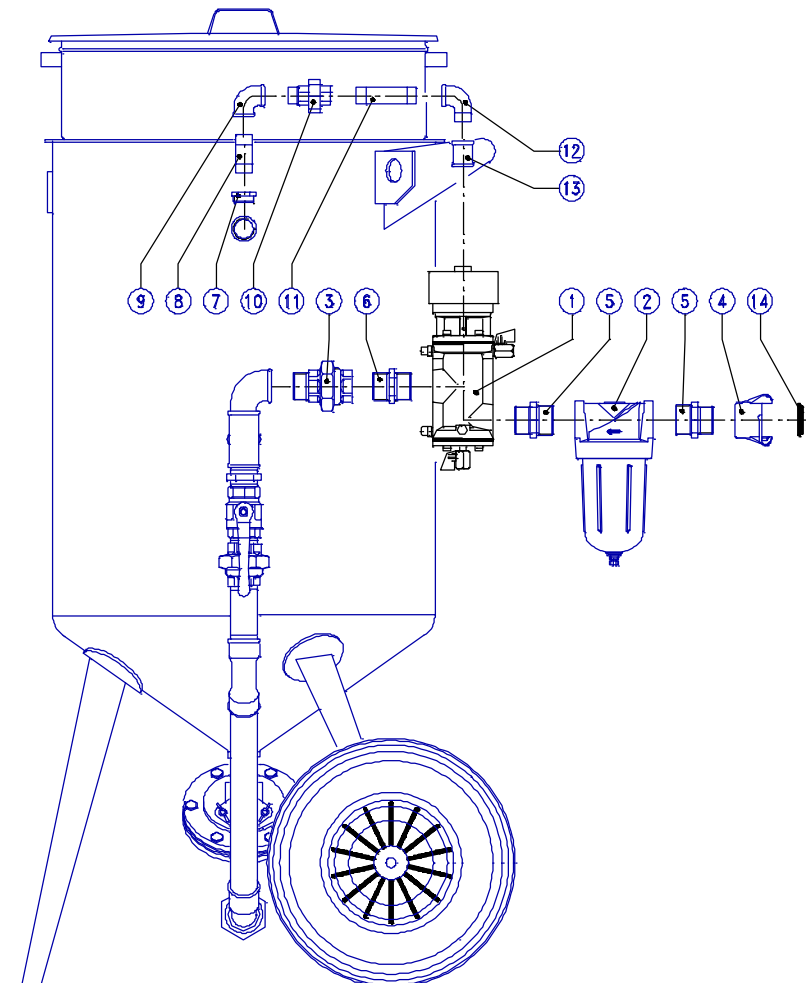


SPARE PARTS ABSC-1440 TO ABSC-2460 1 1/4" PIPING, FITTED WITH REMOTE CONTROL AND MOISTURE SEPARATOR

ART.NR.	MODEL	DESCRIPTION
Specification of parts to fit the RCV-125 remote control valve and Clearline moisture separator to single chamber blast machines of the ABSC-1440 to ABSC-2452 range (60 - 200 litre)		
1) 12020	RCV-125/B	RCV-125/Bare - valve incl. silencer (1)
2) 40570	CLEARLINE-1 1/2"	Clearline 1 1/2" moisture separator (1)
3) 22496		Union 1 1/4" FM no. 341 (1)
4) 21630	CFT	Coupling 1 1/4" (1)
5) 22758		Reduction nipple 1 1/2" x 1 1/4" MM no. 245 (2)
6) 22256		Hex nipple 1 1/4" MM no. 280 (1)
7) 22905		Reduction ring 3/4" x 1" FM no. 241 (1)
8) 22906		Pipe 3/4" x 60 mm (1)
9) 22907		Elbow 3/4" FF no. 90 (1)
10) 22908		Union 3/4" FM no. 341 (1)
11) 22909		Pipe 3/4" x 100 mm (1)
12) 22910		Elbow 3/4" FM no. 92 (1)
13) 22911		Socket 3/4" FF no. 270 (1)
14) 21650	CQG	Rubber coupling gasket (1)

All parts required in quantities shown ()

For all other machine spares, refer to Page 6 and Page 7





REMOTE CONTROL VALVE ARC-50-H

ART.NR.	MODEL	DESCRIPTION
		REMOTE CONTROL VALVE ARC-50-H For use with ABSC-1028 (17 litre single chamber blast machine)
11230	ARC-50-H	½" REMOTE CONTROL VALVE COMPLETE - Valve - Silencer - Bleed off connection - 20 m twin hose coupled - Dead man handle, model DMH-125 Maximum hose length 50 meters.
11232	ARC-50-H	REMOTE CONTROL VALVE AND SILENCER ONLY
11443		Twin hose coupled, length of 5 meters.
11444		Twin hose coupled, length of 20 meters.
11445		Twin hose coupled, length of 40 meters.
11231		REPAIR KIT FOR ARC-50-H REMOTE CONTROL VALVE
12028	DMH-125/NB	DMH-125/NB , Dead man handle for twin line remote control systems, Non bleeding Type
12030	DMH-125	DMH-125 , Dead man handle for twin line remote control systems
11710	ARC-H	ARC-H , Smaller type dead man handle for twin line remote control systems

SPARE PARTS REMOTE CONTROL VALVE ARC-50-H

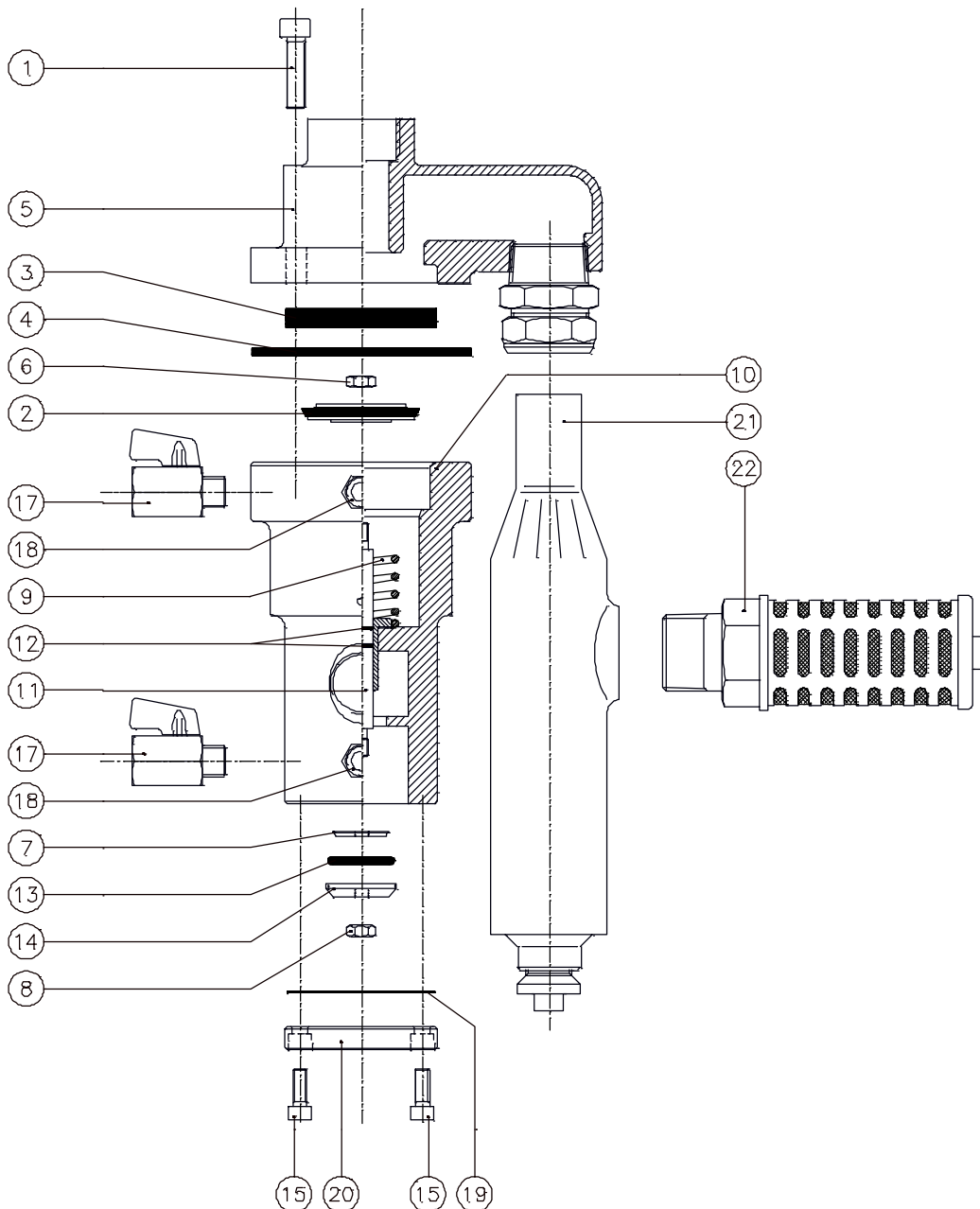
ART.NR.	MODEL	DESCRIPTION	
1) 11450		Socket head cap screw M8 x 45	(4)
2) 11250		Piston seal	(1)
11260		Piston	(1)
3) 11480		Diaphragm	(1)
4) 11490		Diaphragm packing	(1)
5) 11470		Top remote control housing	(1)
6) 11290		Nut for piston	(1)
7) 11300		Sealing plate	(1)
8) 11310		Nut for sealing clamp	(1)
9) 11320		Spring	(1)
10) 11330		Remote control housing	(1)
11) 11340		Piston rod	(1)
12) 11350		"O"-ring	(2)
13) 11360		Sealing ring	(1)
14) 11370		Sealing clamp	(1)
15) 11380		Bolt M6 x 16	(2)
17) 11520		Exhaust valve ¼"	(2)
18) 11780		Brass hex nipple ¼"	(2)
19) 11420		Packing	(1)
20) 11430		Bottom cover plate	(1)
21) 11693		Silencer housing	(1)
22) 11690		Silencer	(1)
23) 11434		Guide bushing	(1)
24) 11433		Nut	(1)



REPAIR / OVERHAUL KIT FOR REMOTE CONTROL VALVE ARC-50-H

ART.NR.	MODEL	DESCRIPTION
11231		Repair kit for ARC-50-H (complete) consisting of:
2) 11250		Piston seal (1)
3) 11480		Diaphragm (1)
4) 11490		Diaphragm packing (1)
7) 11300		Sealing plate (1)
12) 11350		"O"-ring (2)
13) 11360		Sealing ring (1)
14) 11370		Sealing clamp (1)
19) 11420		Packing (1)

All parts of repair kit supplied in quantities shown ()

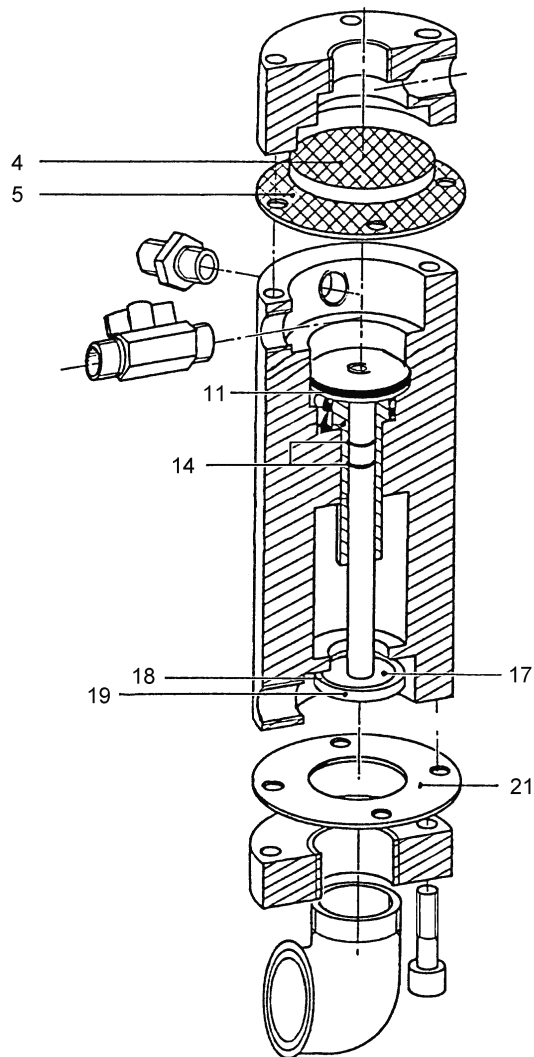




REPAIR / OVERHAUL KIT FOR REMOTE CONTROL VALVE ARC-100-H

ART.NR.	MODEL	DESCRIPTION
11442		Repair kit for ARC-100-H (complete) consisting of:
4)	11480	Diaphragm (1)
5)	11490	Diaphragm packing (1)
11)	11250	Piston ring (1)
14)	11580	"O"-ring (2)
17)	11610	Sealing plate (1)
18)	11620	Sealing ring (1)
19)	11630	Sealing clamp (1)
21)	11650	Packing (1)

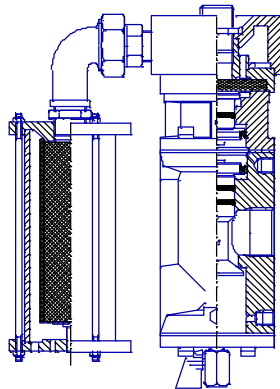
All parts of repair kit supplied in quantities shown ()





REMOTE CONTROL VALVE RCV-125

ART.NR.	MODEL	DESCRIPTION
12000	RCV-125/20	1¼" REMOTE CONTROL VALVE COMPLETE INCLUDING: - Silencer/Muffler 12089 (1) - 20 meters twin hose coupled 11444 (1) - DMH-125 Deadman Handle 12030 (1)
12010	RCV-125/40	1¼" REMOTE CONTROL VALVE COMPLETE INCLUDING: - Silencer/Muffler 12089 (1) - 40 meters twin hose coupled 11445 (1) - DMH-125 Deadman Handle 12030 (1) For use with all ABSC single chamber blast machines except for model ABSC-1028 (maximum hose length 100 meters)
12020	RCV-125/B	REMOTE CONTROL VALVE ONLY (SILENCER INCLUDED)
12028	DMH-125/NB	DEADMAN HANDLE - NON BLEEDING - FOR TWIN LINE SYSTEMS
12030	DMH-125	DEADMAN HANDLE FOR TWIN LINE SYSTEMS (See Page 18)
12050		RCV-125 REPAIR KIT: - 1) 12068 Diaphragm (1) - 2) 12069 Piston seal (2) - 3) 12070 O-ring (3) - 4) 12071 Packing (2) - 5) 12096 O-ring (1)
12089		SILENCER ASSY COMPLETE, Includes Item 19 - 25 on Page 16 and Page 17
12090		BLEED-OFF CONNECTION HOSE COUPLED ¾" ID LENGTH OF 0.5 METER
11443		TWIN HOSE COUPLED, LENGTH OF 5 METERS
11444		TWIN HOSE COUPLED, LENGTH OF 20 METERS
11445		TWIN HOSE COUPLED, LENGTH OF 40 METERS





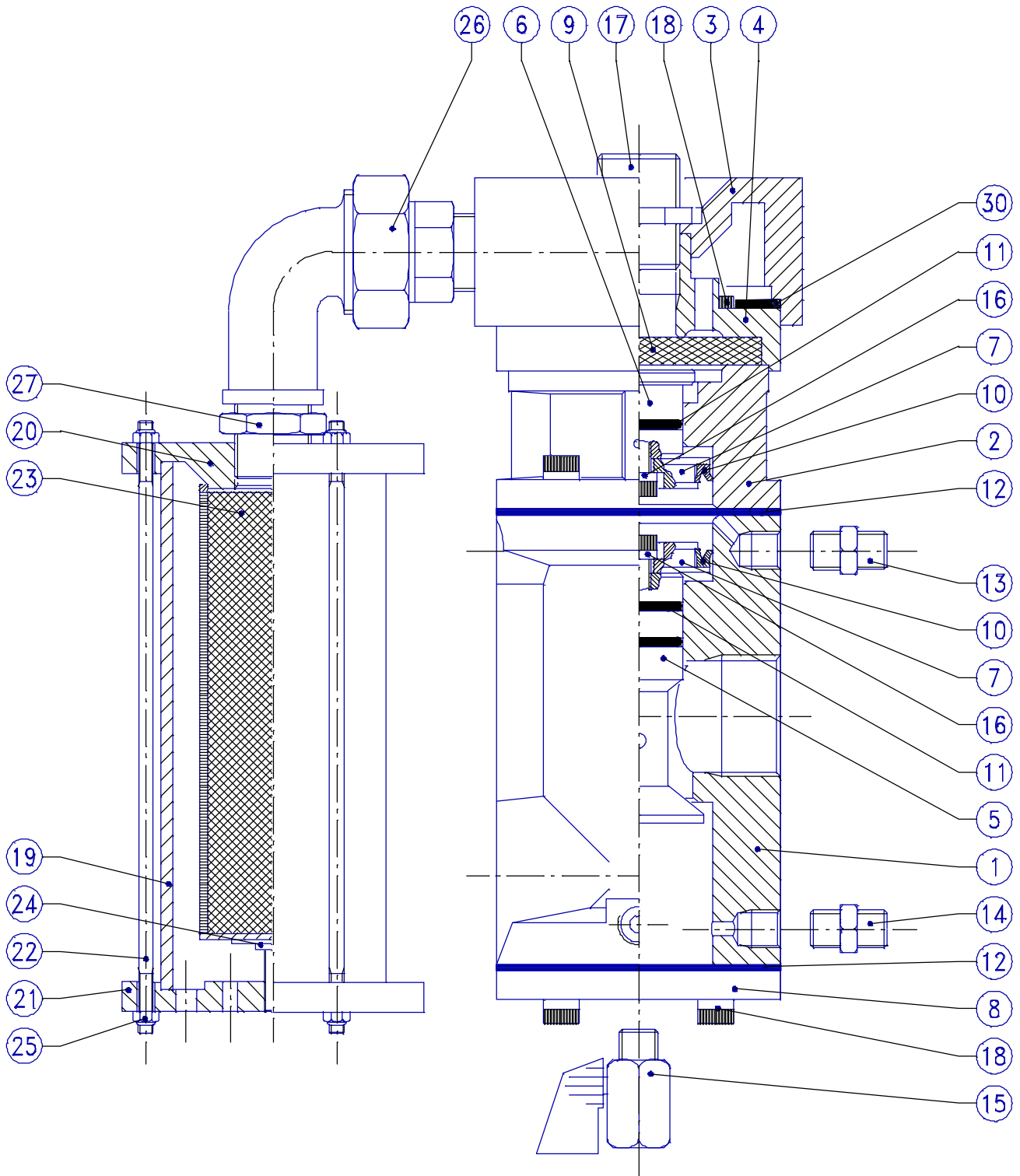
SPARE PARTS REMOTE CONTROL VALVE RCV-125

ART.NR.	MODEL	DESCRIPTION	
1) 12060		Valve housing	(1)
2) 12061		Bleed-off cylinder housing	(1)
3) 12062		Bleed-off manifold	(1)
4) 12063		Top cover	(1)
5) 12064		Inlet valve	(1)
6) 12065		Bleed-off cylinder	(1)
7) 12066		Piston	(2)
8) 12067		Bottom plate	(1)
9) 12068		* Diaphragm	(1)
10) 12069		* Piston seal	(2)
11) 12070		* O-ring	(3)
12) 12071		* Packing	(2)
13) 11780		Brass hex nipple 1/4"	(1)
14) 11780		Brass hex nipple 1/4"	(1)
15) 11520		Ball valve 1/4"	(2)
16) 12072		Piston screw 8 x 15	(2)
17) 22254		Hex nipple 3/4"	(1)
18) 12074		Screw 8 x 25	(12)
19) 12076		Silencer housing	(1)
20) 12077		Silencer top cover	(1)
21) 12078		Silencer bottom plate	(1)
22) 12079		Silencer housing pin 5 x 215	(3)
23) 12080		Silencer cartridge	(1)
24) 12081		Silencer cartridge support	(1)
25) 12086		Nut	(6)
26) 12084		Union elbow	(1)
27) 22254		Hex nipple 3/4"	(1)
28) 12087	P-29	Check valve (not shown)	(1)
29) 12075		Plug 1/4" (not shown)	(1)
30) 12096		* O-ring	(1)

All (*)-marked items are included in Remote Control Repair kit (art.nr. 12050) in quantities shown ()



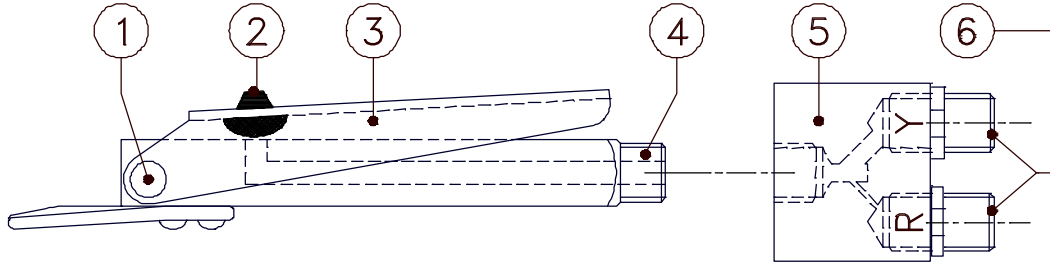
REMOTE CONTROL VALVE RCV-125





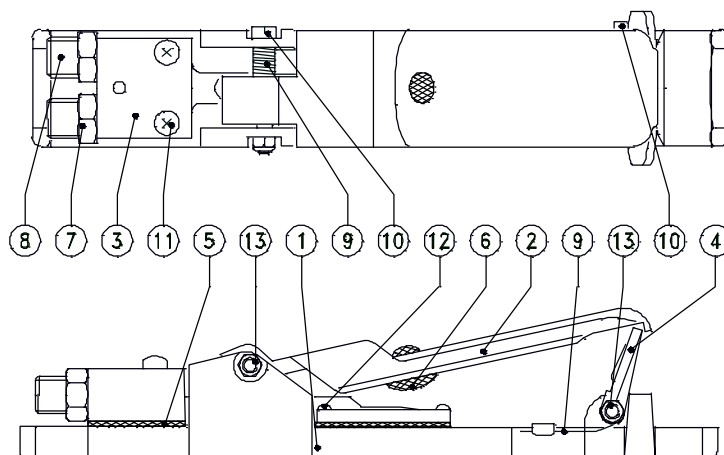
SPARE PARTS REMOTE CONTROL HANDLE ARC-H

ART.NR.	MODEL	DESCRIPTION	
11710	ARC-H	DEADMAN HANDLE - COMPLETE (SMALL TYPE) FOR TWIN LINE REMOTE CONTROL OPERATION	
1) 11740		Handle pin	(1)
2) 11720		Rubber seal	(1)
3) 11730		Handle	(1)
4) 11760		Housing deadman handle	(1)
5) 11770		Inlet housing	(1)
6) 11780		Brass hex nipple 1/4"	(2)



SPARE PARTS REMOTE CONTROL HANDLE DMH-125

ART.NR.	MODEL	DESCRIPTION	
12030	DMH-125	DEADMAN HANDLE - COMPLETE FOR TWIN LINE REMOTE CONTROL OPERATION	
1) 12031		Handle body	(1)
2) 12032		Lever	(1)
3) 12033		Pneumatic manifold	(1)
4) 12034		Lever safety lock	(1)
5) 12035		Gasket	(1)
6) 12036		Rubber insert	(1)
7) 12038		Reduction nipple 1/4" x 1/8" (restricted)	(1)
8) 12037		Reduction nipple 1/4" x 1/8"	(1)
9) 12039		Spring	(2)
10) 12040		Screw 5 x 40	(2)
11) 12041		Screw 4 x 25	(2)
12) 12042		Screw 4 x 10	(4)
13) 12043		Lock nut	(2)





BULK BLASTING SYSTEMS

ART.NR.	MODEL	DESCRIPTION
15800	Model 120	120 cu.ft. Bulk Blaster 3400 litre capacity (Shipping weight 2,350 lbs. / 1,070 kg.)
15801	Model 160	160 cu.ft. Bulk Blaster 4500 litre capacity (Shipping weight 2,950 lbs. / 1,340 kg.)

All other sizes, configurations and types of tanks available on request.

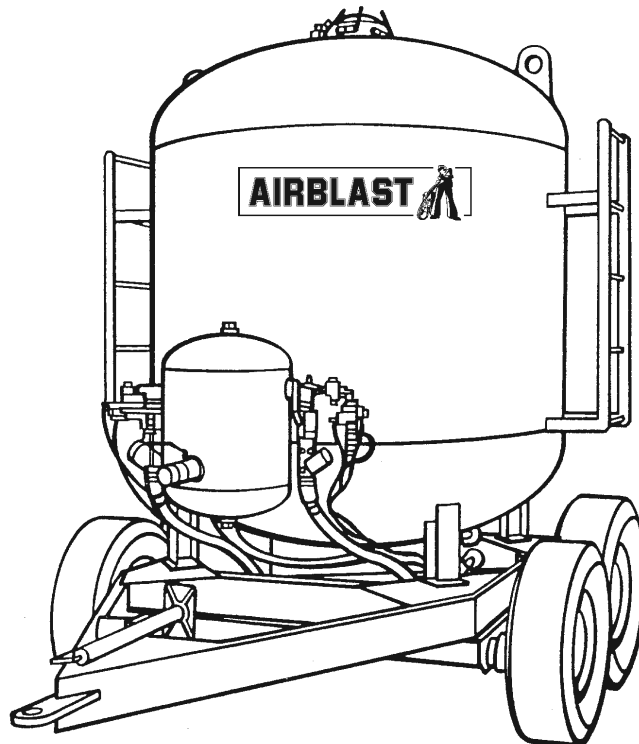
EACH MACHINE INCLUDES:

- 125 psi (8,6 bar) rated vessel with four outlet capability
- Full load lifting eyes
- 4" Bottom drain and inlet manifold
- Two complete 1½" Thompson Valve outlets with urethane sleeve *
- Pneumatic or electric remote controls (specify voltage and current)
- 110' (30 m) Twin line control hose or electrical control cord
- 25' (7.5 m) power cord
- Deadman control and Manual Blowdown
- 1½" Internal piping for pressure and vent

* Optional Tungsten Carbide Sleeve

Vessels are built to fit various mountings and trailers (see next page)

All blast systems should be equipped with Remote Control (Deadman Types)





OPTIONS, MOUNTINGS AND TRAILERS FOR BULK BLASTING SYSTEMS

ART.NR.	MODEL	DESCRIPTION
		OPTIONS:
15802		1,600 CFM Moisture Separator
15803		Additional outlet, pneumatic or electric, complete
15804		Tungsten Carbide sleeve (per outlet)
15263		Union End Ball Valve (per outlet)
15805		Remote Abrasive Cutoff, pneumatic (per outlet)
15806		Remote Abrasive Cutoff, electric (per outlet)
15807		150 psi (10.3 bar) Rated vessel
		MOUNTINGS:
15808		24" (610 mm) Leg extensions
15809		Skid mount
		TRAILERS - Model 120 only:
		Load limit: 12,000 lbs./5,450 kg.
15810	*	Rigid Axle Yard Trailer, (Shipping weight 1,070 lbs./485 kg.)
15811	*	Torsion Suspension Yard Trailer, (Shipping weight 1,550 lbs./705 kg.)
15812		Highway Trailer with lights, heavy duty fenders, hydraulic brakes, torsion suspension (Shipping weight 1,440 lbs./655 kg.)
		TRAILERS - Model 120 & 160:
		Load limit: 16,000 lbs./7,275 kg.
15813	*	Rigid Axle Yard Trailer, (Shipping weight 1,650 lbs./750 kg.)
15814	*	Torsion Suspension Yard Trailer, (Shipping weight 1,700 lbs./775 kg.)
15815		Highway Trailer with lights, heavy duty fenders, hydraulic brakes, torsion suspension (Shipping weight 1,800 lbs./800 kg.)
		DUAL-TANDEM HIGHWAY TRAILER:
		Load limit: 20,000 lbs./9,100 kg.
15816		Dual-Tandem Highway Trailer with lights, heavy duty fenders, hydraulic brakes and load leveller leaf spring suspension (Shipping weight 2,370 lbs./1,075 kg.)

* Do not use yard trailers on public roads