

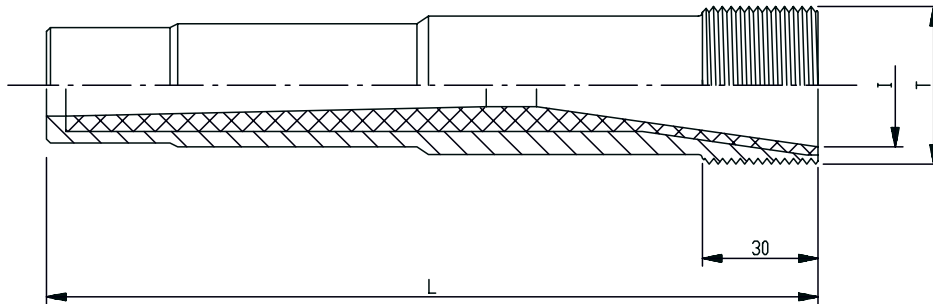


# TUNGSTEN CARBIDE LONG VENTURI NOZZLES WITH ALUMINIUM JACKET

ART.NR.	MODEL	DESCRIPTION
---------	-------	-------------

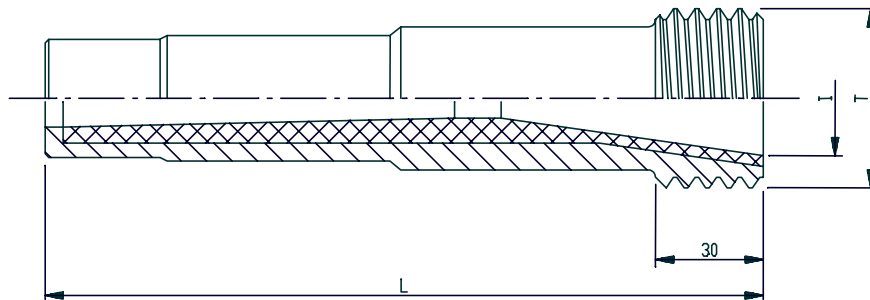
**WITH FINE THREAD T = 41 mm [ 1 1/4" 11 1/2 TPI NPSM ]**

		ORIFICE [mm]	LENGTH [mm]	
20010	ATSD - 3	4,8	135	
20020	ATSD - 4	6,5	135	<b>1" INLET</b>
20030	ATSD - 5	8,0	145	
20040	ATSD - 6	9,5	170	<b>I = 25 mm</b>
20050	ATSD - 7	11,0	200	
20060	ATSD - 8	13,0	230	
20070	ATSDX - 4	6,5	135	
20080	ATSDX - 5	8,0	145	
20090	ATSDX - 6	9,5	170	<b>1 1/4" INLET</b>
20100	ATSDX - 7	11,0	200	
20110	ATSDX - 8	13,0	230	<b>I = 32 mm</b>
20120	ATSDX - 10	16,0	230	
20130	ATSDX - 12	19,0	230	



**WITH LARGE THREAD T = 50 mm [ 2" 4 1/2 TPI NPSM ]**

		ORIFICE [mm]	LENGTH [mm]	
20140	ATSD - 3 /50	4,8	135	
20150	ATSD - 4 /50	6,5	135	<b>1" INLET</b>
20160	ATSD - 5 /50	8,0	145	
20170	ATSD - 6 /50	9,5	170	<b>I = 25 mm</b>
20180	ATSD - 7 /50	11,0	200	
20190	ATSD - 8 /50	13,0	230	
20200	ATSDX - 4 /50	6,5	135	
20210	ATSDX - 5 /50	8,0	145	
20220	ATSDX - 6 /50	9,5	170	<b>1 1/4" INLET</b>
20230	ATSDX - 7 /50	11,0	200	
20240	ATSDX - 8 /50	13,0	230	<b>I = 32 mm</b>
20250	ATSDX - 10 /50	16,0	230	
20260	ATSDX - 12 /50	19,0	230	

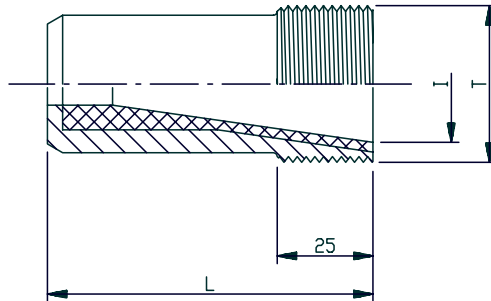


[ Other sizes upon request ]

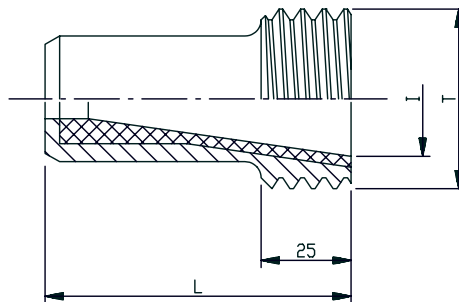


# TUNGSTEN CARBIDE MEDIUM VENTURI NOZZLES WITH ALUMINIUM JACKET

ART.NR.	MODEL	DESCRIPTION
<b>WITH FINE THREAD T = 41 mm [ 1¼" 11½ TPI NPSM ]</b>		
		<b>ORIFICE [mm]                      LENGTH [mm]</b>
20270	ATJD - 3	4,8                      85
20280	ATJD - 4	6,5                      85
20290	ATJD - 5	8,0                      85
20300	ATJD - 6	9,5                      85
20310	ATJD - 7	11,0                     85
20320	ATJD - 8	13,0                     85
<b>1" INLET</b>		
<b>l = 25 mm</b>		
20329	ATJDX - 4	6,5                      85
20330	ATJDX - 5	8,0                      85
20340	ATJDX - 6	9,5                      85
20350	ATJDX - 7	11,0                     85
20360	ATJDX - 8	13,0                     85
20370	ATJDX - 10	16,0                     85
<b>1¼" INLET</b>		
<b>l = 32 mm</b>		



<b>WITH LARGE THREAD T = 50 MM [ 2" 4½ TPI NPSM ]</b>		
		<b>ORIFICE [mm]                      LENGTH [mm]</b>
20380	ATJD - 3 /50	4,8                      85
20390	ATJD - 4 /50	6,5                      85
20400	ATJD - 5 /50	8,0                      85
20410	ATJD - 6 /50	9,5                      85
20420	ATJD - 7 /50	11,0                     85
20430	ATJD - 8 /50	13,0                     85
<b>1" INLET</b>		
<b>l = 25 mm</b>		
20439	ATJDX - 4 /50	6,5                      85
20440	ATJDX - 5 /50	8,0                      85
20450	ATJDX - 6 /50	9,5                      85
20460	ATJDX - 7 /50	11,0                     85
20470	ATJDX - 8 /50	13,0                     85
20480	ATJDX - 10 /50	16,0                     85
<b>1¼" INLET</b>		
<b>l = 32 mm</b>		



[ Other sizes upon request ]

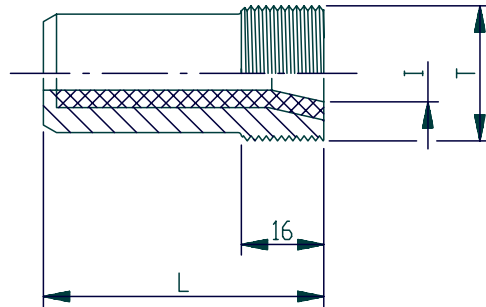


## SHORT TUNGSTEN CARBIDE NOZZLES WITH ALUMINIUM JACKET

ART.NR.	MODEL	DESCRIPTION
<b>WITH FINE THREAD T = 26 mm [ 3/4" 14 TPI NPSM ]</b>		
		<b>ORIFICE [mm]                      LENGTH [mm]</b>
20850	AT - 2	3,2                      45
20860	AT - 3	4,8                      45
20870	AT - 4	6,5                      45
20880	AT - 5	8,0                      45
20890	AT - 6	9,5                      45
20900	AT - 8	13,0                     45

**1/2" INLET**

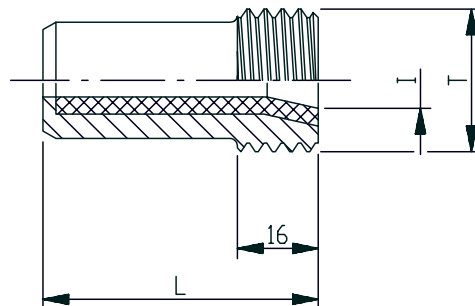
**I = 13 mm**



<b>WITH LARGE THREAD T = 28 mm [ 3/4" 7 TPI NPSM ]</b>		
		<b>ORIFICE [mm]                      LENGTH [mm]</b>
20851	ATL - 2	3,2                      45
20861	ATL - 3	4,8                      45
20871	ATL - 4	6,5                      45
20881	ATL - 5	8,0                      45
20891	ATL - 6	9,5                      45
20901	ATL - 8	13,0                     45

**1/2" INLET**

**I = 13 mm**

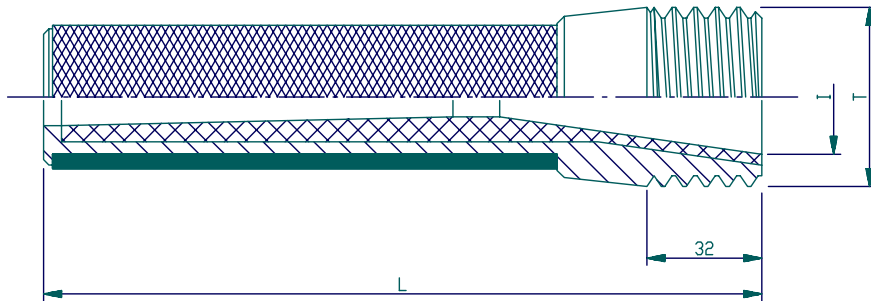




## TUNGSTEN CARBIDE LONG VENTURI NOZZLES WITH RUBBER JACKET

ART.NR.	MODEL	DESCRIPTION
		WITH LARGE THREAD T = 50 mm [ 2" 4¼ TPI NPSM ] AND LARGE INLET I = 32 mm [ 1¼" ]
		<b>ORIFICE [mm]                      LENGTH [mm]</b>
20490	RJL - 3 /50	4,8                      135
20500	RJL - 4 /50	6,5                      135
20510	RJL - 5 /50	8,0                      145
20520	RJL - 6 /50	9,5                      170
20530	RJL - 7 /50	11,0                     200
20540	RJL - 8 /50	13,0                     235
20541	RJL - 10 /50	16,0                     235
20542	RJL - 12 /50	19,0                     235

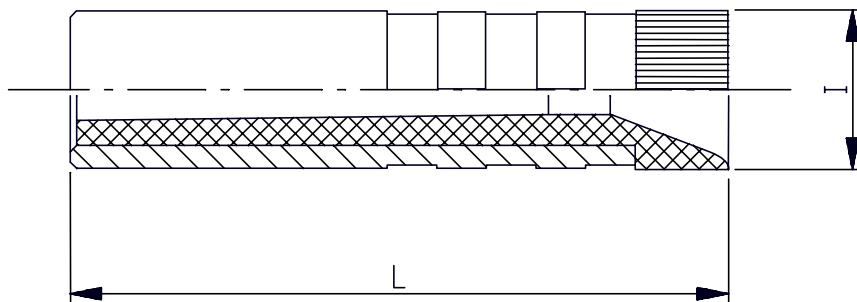
[ Other sizes upon request ]



## TUNGSTEN CARBIDE STICK-UP NOZZLES WITH ALUMINIUM JACKET

ART.NR.	MODEL	DESCRIPTION
		FOR 1" HOSE ID [ 25 mm ]
		<b>ORIFICE [mm]                      LENGTH [mm]</b>
21160	ATST - 5/25	8,0                      115
21170	ATST - 6/25	9,5                      115
		FOR 1¼" HOSE ID [ 32 mm ]
21180	ATST - 5/32	8,0                      115
21181	ATST - 6/32	9,5                      115
21182	ATST - 8/32	13,0                     115

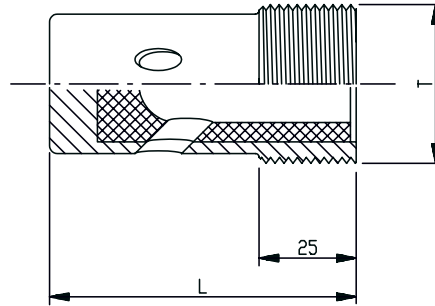
[ Other sizes upon request ]



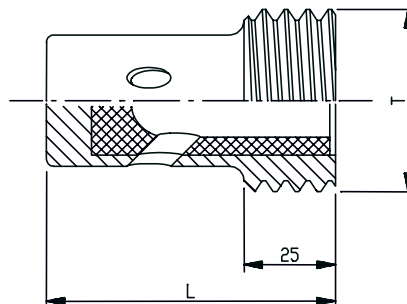


# TUNGSTEN CARBIDE ANGLE NOZZLES WITH ALUMINIUM JACKET

ART.NR.	MODEL	DESCRIPTION
<b>WITH FINE THREAD T = 41 mm [ 1 1/4" 11 1/2 TPI NPSM ]</b>		
		<b>ORIFICE [mm]                      LENGTH [mm]</b>
20550	AAM - 2 x 1	1 x 3,2                      80
20560	AAM - 2 x 2	2 x 3,2                      80
20570	AAM - 2 x 3	3 x 3,2                      80
20580	AAM - 3 x 1	1 x 4,8                      80
20590	AAM - 3 x 2	2 x 4,8                      80
20600	AAM - 3 x 3	3 x 4,8                      80
20610	AAM - 4 x 1	1 x 6,5                      80
20620	AAM - 4 x 2	2 x 6,5                      80
20630	AAM - 4 x 3	3 x 6,5                      80
20640	AAM - 5 x 1	1 x 8,0                      80
20650	AAM - 5 x 2	2 x 8,0                      80
20660	AAM - 5 x 3	3 x 8,0                      80
20670	AAM - 6 x 1	1 x 9,5                      80
20680	AAM - 6 x 2	2 x 9,5                      80
20690	AAM - 6 x 3	3 x 9,5                      80



<b>WITH LARGE THREAD T = 50 mm [ 2" 4 1/4 TPI NPSM ]</b>		
		<b>ORIFICE [mm]                      LENGTH [mm]</b>
20700	AAM - 2 x 1/50	1 x 3,2                      80
20710	AAM - 2 x 2/50	2 x 3,2                      80
20720	AAM - 2 x 3/50	3 x 3,2                      80
20730	AAM - 3 x 1/50	1 x 4,8                      80
20740	AAM - 3 x 2/50	2 x 4,8                      80
20750	AAM - 3 x 3/50	3 x 4,8                      80
20760	AAM - 4 x 1/50	1 x 6,5                      80
20770	AAM - 4 x 2/50	2 x 6,5                      80
20780	AAM - 4 x 3/50	3 x 6,5                      80
20790	AAM - 5 x 1/50	1 x 8,0                      80
20800	AAM - 5 x 2/50	2 x 8,0                      80
20810	AAM - 5 x 3/50	3 x 8,0                      80
20820	AAM - 6 x 1/50	1 x 9,5                      80
20830	AAM - 6 x 2/50	2 x 9,5                      80
20840	AAM - 6 x 3/50	3 x 9,5                      80



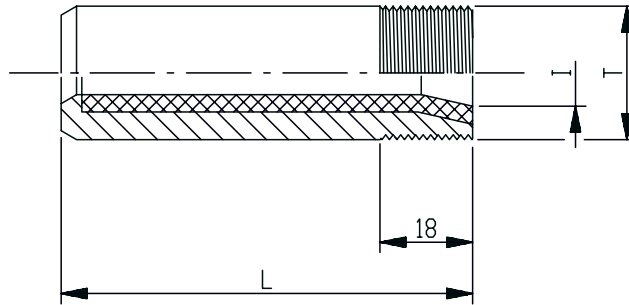


## TUNGSTEN CARBIDE SPINNERBLAST NOZZLES WITH ALUMINIUM JACKET

ART.NR.	MODEL	DESCRIPTION
WITH FINE THREAD T = 26 mm [ 3/4" 14 TPI NPSM ]		
		ORIFICE [mm]                  LENGTH [mm]
21070	ASB - 13	6,5                          55
21080	ASB - 14	8,0                          55
21090	ASB - 15	8,0                          85
21100	ASB - 16	9,5                          55
21110	ASB - 17	9,5                          108

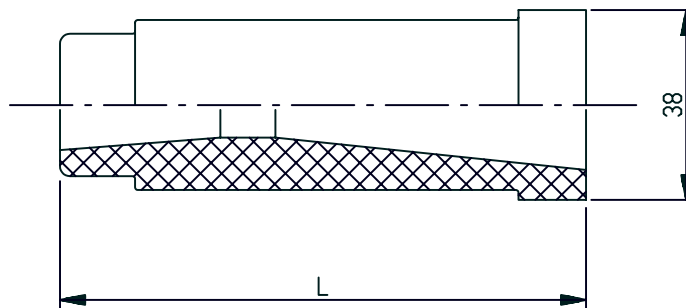
1/2" INLET

l = 13 mm



## CIRCLEBLAST NOZZLES

ART.NR.	MODEL	DESCRIPTION
TUNGSTEN CARBIDE		
		ORIFICE [mm]                  LENGTH [mm]
21120	AHBN - 8	13,0                          105
21130	AHBN - 10	16,0                          105





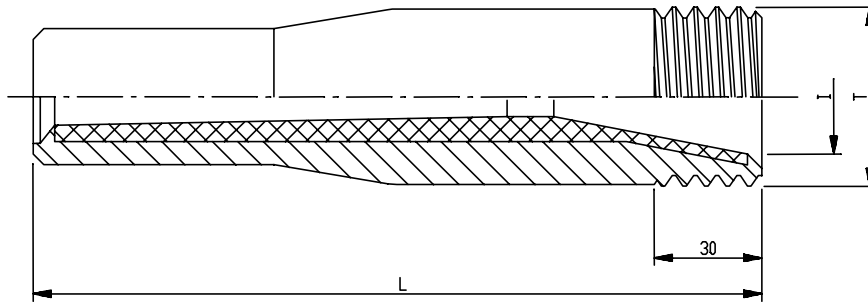
## SILICON NITRIDE LONG VENTURI NOZZLES WITH POLYURETHANE JACKET

ART.NR.	MODEL	DESCRIPTION
<b>WITH LARGE THREAD T = 50 mm [ 2" 4¼ TPI NPSM ]</b>		
		<b>ORIFICE [mm]                  LENGTH [mm]</b>
20261	ABSN - 3 /50	4,8                  115
20262	ABSN - 4 /50	6,5                  135
20263	ABSNX - 5 /50	8,0                  150
20264	ABSNX - 6 /50	9,5                  170
20265	ABSNX - 7 /50	11,0                205
20267	ABSNX - 8 /50	13,0                235

**1" INLET  
l = 25 mm**

**1¼" INLET  
l = 32 mm**

[ Other sizes upon request ]

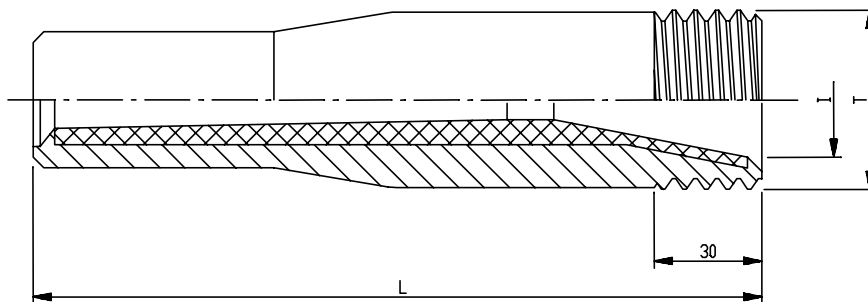


## SILICON CARBIDE LONG VENTURI NOZZLES WITH POLYURETHANE JACKET

ART.NR.	MODEL	DESCRIPTION
<b>WITH LARGE THREAD T = 50 mm [ 2" 4½ TPI NPSM ]</b>		
		<b>ORIFICE [mm]                  LENGTH [mm]</b>
20481	ABSC - 3 /50	4,8                  105
20482	ABSC - 4 /50	6,5                  135
20483	ABSCX - 5 /50	8,0                  145
20484	ABSCX - 6 /50	9,5                  170
20485	ABSCX - 7 /50	11,0                200
20486	ABSCX - 8 /50	13,0                230

**1" INLET  
l = 25 mm**

**1¼" INLET  
l = 32 mm**



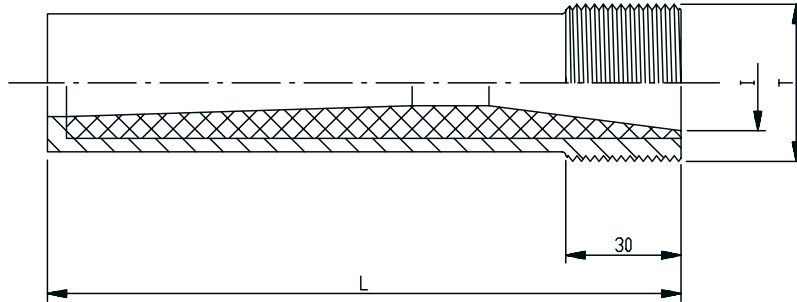


# BORON CARBIDE LONG VENTURI NOZZLES WITH ALUMINIUM JACKET, BLACK FINISH

ART.NR.	MODEL	DESCRIPTION
---------	-------	-------------

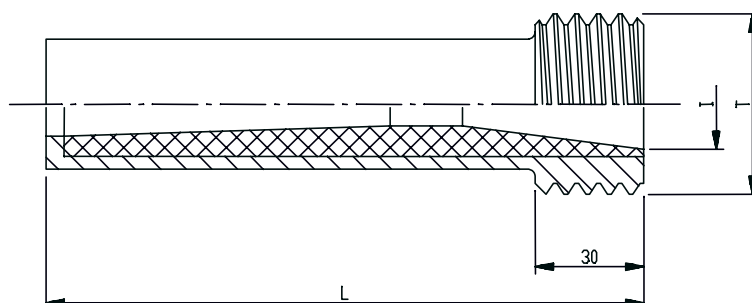
**WITH FINE THREAD T = 41 mm [ 1 1/4" 11 1/2 TPI NPSM ]**

			ORIFICE [mm]	LENGTH [mm]	
21219	ABC - 3		5,0	140	
21220	ABC - 4		6,0	140	
21221	ABC - 5		8,0	140	
21222	ABC - 5		8,0	165	<b>1" INLET l = 25 mm</b>
21223	ABC - 6		10,0	165	
21224	ABC - 8		12,0	165	
21225	ABC - 8		12,0	220	
21226	ABC - 9		14,0	220	
23070	ABCX - 3		5,0	140	
23071	ABCX - 4		6,0	140	
23072	ABCX - 5		8,0	140	
23073	ABCX - 5		8,0	165	<b>1 1/4" INLET l = 32 mm</b>
23074	ABCX - 6		10,0	165	
23075	ABCX - 8		12,0	165	
23076	ABCX - 8		12,0	220	
23077	ABCX - 9		14,0	220	



**WITH LARGE THREAD T = 50 mm [ 2" 4 1/2 TPI NPSM ]**

			ORIFICE [mm]	LENGTH [mm]	
21206	ABC - 3 /50		5,0	140	
21207	ABC - 4 /50		6,0	140	
21208	ABC - 5 /50		8,0	140	
21209	ABC - 5 /50		8,0	165	<b>1" INLET l = 25 mm</b>
21210	ABC - 6 /50		10,0	165	
21211	ABC - 8 /50		12,0	165	
21212	ABC - 8 /50		12,0	220	
21213	ABC - 9 /50		14,0	220	
23078	ABCX - 3 /50		5,0	140	
23079	ABCX - 4 /50		6,0	140	
23080	ABCX - 5 /50		8,0	140	
23081	ABCX - 5 /50		8,0	165	<b>1 1/4" INLET l = 32 mm</b>
23082	ABCX - 6 /50		10,0	165	
2308201	ABCX - 7 /50		11,0	165	
23083	ABCX - 8 /50		12,0	165	
23084	ABCX - 8 /50		12,0	220	
23085	ABCX - 9 /50		14,0	220	

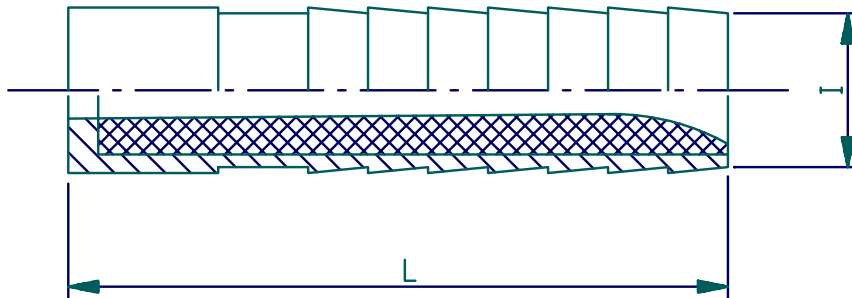




## BORON CARBIDE STICK-UP NOZZLES WITH ALUMINIUM JACKET

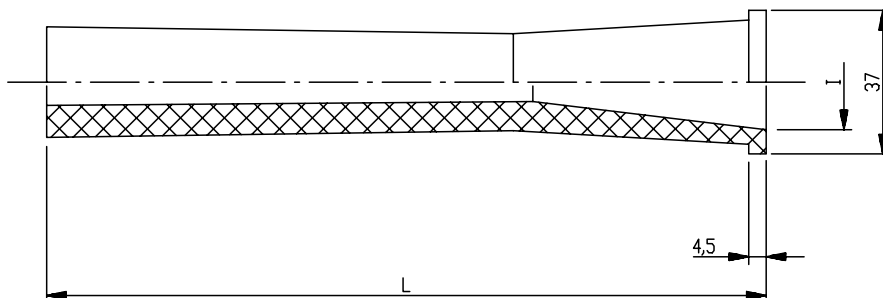
ART.NR.	MODEL	DESCRIPTION																		
<b>FOR 1" HOSE ID [ I = 25 mm ]</b>																				
		<table style="width: 100%; border: none;"> <thead> <tr> <th style="text-align: left;">ORIFICE [mm]</th> <th style="text-align: left;">LENGTH [mm]</th> </tr> </thead> <tbody> <tr> <td>21190</td> <td>ABCS - 3 /25</td> <td style="text-align: center;">5,0</td> <td style="text-align: center;">100</td> </tr> <tr> <td>21191</td> <td>ABCS - 4 /25</td> <td style="text-align: center;">6,0</td> <td style="text-align: center;">100</td> </tr> <tr> <td>21192</td> <td>ABCS - 5 /25</td> <td style="text-align: center;">8,0</td> <td style="text-align: center;">100</td> </tr> <tr> <td>21193</td> <td>ABCS - 6 /25</td> <td style="text-align: center;">10,0</td> <td style="text-align: center;">100</td> </tr> </tbody> </table>	ORIFICE [mm]	LENGTH [mm]	21190	ABCS - 3 /25	5,0	100	21191	ABCS - 4 /25	6,0	100	21192	ABCS - 5 /25	8,0	100	21193	ABCS - 6 /25	10,0	100
ORIFICE [mm]	LENGTH [mm]																			
21190	ABCS - 3 /25	5,0	100																	
21191	ABCS - 4 /25	6,0	100																	
21192	ABCS - 5 /25	8,0	100																	
21193	ABCS - 6 /25	10,0	100																	

<b>FOR 1¼" HOSE ID [ I = 32 mm ]</b>																												
		<table style="width: 100%; border: none;"> <thead> <tr> <th style="text-align: left;">ORIFICE [mm]</th> <th style="text-align: left;">LENGTH [mm]</th> </tr> </thead> <tbody> <tr> <td>21194</td> <td>ABCS - 4 /32</td> <td style="text-align: center;">6,0</td> <td style="text-align: center;">110</td> </tr> <tr> <td>21195</td> <td>ABCS - 5 /32</td> <td style="text-align: center;">8,0</td> <td style="text-align: center;">110</td> </tr> <tr> <td>21196</td> <td>ABCS - 6 /32</td> <td style="text-align: center;">10,0</td> <td style="text-align: center;">110</td> </tr> <tr> <td>2119601</td> <td>ABCS - 7 /32</td> <td style="text-align: center;">11,0</td> <td style="text-align: center;">110</td> </tr> <tr> <td>21197</td> <td>ABCS - 8 /32</td> <td style="text-align: center;">12,0</td> <td style="text-align: center;">110</td> </tr> <tr> <td>21198</td> <td>ABCS - 9 /32</td> <td style="text-align: center;">14,0</td> <td style="text-align: center;">110</td> </tr> </tbody> </table>	ORIFICE [mm]	LENGTH [mm]	21194	ABCS - 4 /32	6,0	110	21195	ABCS - 5 /32	8,0	110	21196	ABCS - 6 /32	10,0	110	2119601	ABCS - 7 /32	11,0	110	21197	ABCS - 8 /32	12,0	110	21198	ABCS - 9 /32	14,0	110
ORIFICE [mm]	LENGTH [mm]																											
21194	ABCS - 4 /32	6,0	110																									
21195	ABCS - 5 /32	8,0	110																									
21196	ABCS - 6 /32	10,0	110																									
2119601	ABCS - 7 /32	11,0	110																									
21197	ABCS - 8 /32	12,0	110																									
21198	ABCS - 9 /32	14,0	110																									



## BORON ALLOY FLANGED NOZZLES

ART.NR.	MODEL	DESCRIPTION																		
		<table style="width: 100%; border: none;"> <thead> <tr> <th style="text-align: left;">ORIFICE [mm]</th> <th style="text-align: left;">LENGTH [mm]</th> </tr> </thead> <tbody> <tr> <td>21199</td> <td>ABSD - 5</td> <td style="text-align: center;">8,0</td> <td style="text-align: center;">140</td> </tr> <tr> <td>21200</td> <td>ABSD - 6</td> <td style="text-align: center;">9,5</td> <td style="text-align: center;">165</td> </tr> <tr> <td>21201</td> <td>ABSD - 7</td> <td style="text-align: center;">11,0</td> <td style="text-align: center;">197</td> </tr> <tr> <td>21202</td> <td>ABSD - 8</td> <td style="text-align: center;">13,0</td> <td style="text-align: center;">220</td> </tr> </tbody> </table>	ORIFICE [mm]	LENGTH [mm]	21199	ABSD - 5	8,0	140	21200	ABSD - 6	9,5	165	21201	ABSD - 7	11,0	197	21202	ABSD - 8	13,0	220
ORIFICE [mm]	LENGTH [mm]																			
21199	ABSD - 5	8,0	140																	
21200	ABSD - 6	9,5	165																	
21201	ABSD - 7	11,0	197																	
21202	ABSD - 8	13,0	220																	

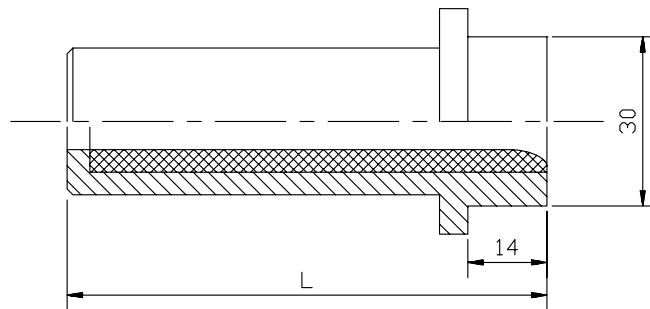


21205 Retainer with large 50 mm thread for Boron Alloy Flanged Nozzles



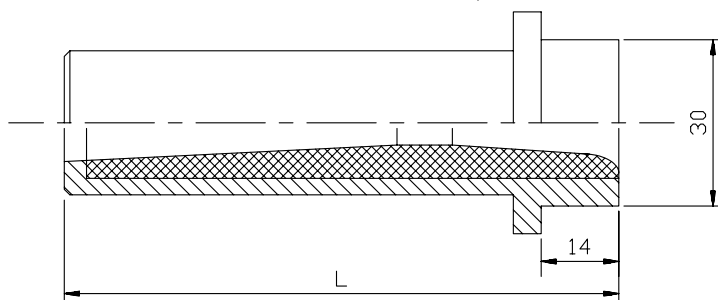
## BORON CARBIDE STRAIGHT NOZZLES WITH ALUMINIUM JACKET, BLACK FINISH

ART.NR.	MODEL	DESCRIPTION																												
<b>MEDIUM LENGTH FLANGED TYPE STRAIGHT NOZZLES FOR USE IN COMBINATION WITH "ABCLI" LEAD-IN NOZZLES AND "ANH" NOZZLE HOLDERS</b>																														
		<table style="width: 100%; border: none;"> <thead> <tr> <th style="text-align: left;">ORIFICE [mm]</th> <th style="text-align: left;">LENGTH [mm]</th> </tr> </thead> <tbody> <tr> <td>21271      ABCM - 3</td> <td style="text-align: center;">3,0                  55</td> </tr> <tr> <td>21272      ABCM - 4</td> <td style="text-align: center;">4,0                  55</td> </tr> <tr> <td>21273      ABCM - 5</td> <td style="text-align: center;">5,0                  55</td> </tr> <tr> <td>21274      ABCM - 6</td> <td style="text-align: center;">6,0                  86</td> </tr> <tr> <td>21275      ABCM - 7</td> <td style="text-align: center;">7,0                  86</td> </tr> <tr> <td>21276      ABCM - 8</td> <td style="text-align: center;">8,0                  86</td> </tr> <tr> <td>21277      ABCM - 9</td> <td style="text-align: center;">9,0                  86</td> </tr> <tr> <td>21278      ABCM -10</td> <td style="text-align: center;">10,0                86</td> </tr> <tr> <td>21279      ABCM -11</td> <td style="text-align: center;">11,0                86</td> </tr> <tr> <td>21280      ABCM -12</td> <td style="text-align: center;">12,0                86</td> </tr> <tr> <td>21281      ABCM -13</td> <td style="text-align: center;">13,0                86</td> </tr> <tr> <td>21282      ABCM -14</td> <td style="text-align: center;">14,0                86</td> </tr> <tr> <td>21283      ABCM -15</td> <td style="text-align: center;">15,0                86</td> </tr> </tbody> </table>	ORIFICE [mm]	LENGTH [mm]	21271      ABCM - 3	3,0                  55	21272      ABCM - 4	4,0                  55	21273      ABCM - 5	5,0                  55	21274      ABCM - 6	6,0                  86	21275      ABCM - 7	7,0                  86	21276      ABCM - 8	8,0                  86	21277      ABCM - 9	9,0                  86	21278      ABCM -10	10,0                86	21279      ABCM -11	11,0                86	21280      ABCM -12	12,0                86	21281      ABCM -13	13,0                86	21282      ABCM -14	14,0                86	21283      ABCM -15	15,0                86
ORIFICE [mm]	LENGTH [mm]																													
21271      ABCM - 3	3,0                  55																													
21272      ABCM - 4	4,0                  55																													
21273      ABCM - 5	5,0                  55																													
21274      ABCM - 6	6,0                  86																													
21275      ABCM - 7	7,0                  86																													
21276      ABCM - 8	8,0                  86																													
21277      ABCM - 9	9,0                  86																													
21278      ABCM -10	10,0                86																													
21279      ABCM -11	11,0                86																													
21280      ABCM -12	12,0                86																													
21281      ABCM -13	13,0                86																													
21282      ABCM -14	14,0                86																													
21283      ABCM -15	15,0                86																													



## BORON CARBIDE LONG VENTURI NOZZLES WITH ALUMINIUM JACKET, BLACK FINISH

ART.NR.	MODEL	DESCRIPTION																						
<b>LONG LENGTH FLANGED TYPE VENTURI NOZZLES FOR USE IN COMBINATION WITH "ABCLI" LEAD-IN NOZZLES AND "ANH" NOZZLE HOLDERS</b>																								
		<table style="width: 100%; border: none;"> <thead> <tr> <th style="text-align: left;">ORIFICE [mm]</th> <th style="text-align: left;">LENGTH [mm]</th> </tr> </thead> <tbody> <tr> <td>21324      ABCL - 6</td> <td style="text-align: center;">6,0                  100</td> </tr> <tr> <td>21325      ABCL - 7</td> <td style="text-align: center;">7,0                  100</td> </tr> <tr> <td>21284      ABCL - 8</td> <td style="text-align: center;">8,0                  100</td> </tr> <tr> <td>21285      ABCL - 9</td> <td style="text-align: center;">9,0                  100</td> </tr> <tr> <td>21286      ABCL -10</td> <td style="text-align: center;">10,0                100</td> </tr> <tr> <td>21287      ABCL -11</td> <td style="text-align: center;">11,0                100</td> </tr> <tr> <td>21288      ABCL -12</td> <td style="text-align: center;">12,0                100</td> </tr> <tr> <td>21289      ABCL -13</td> <td style="text-align: center;">13,0                100</td> </tr> <tr> <td>21290      ABCL -14</td> <td style="text-align: center;">14,0                100</td> </tr> <tr> <td>21291      ABCL -15</td> <td style="text-align: center;">15,0                100</td> </tr> </tbody> </table>	ORIFICE [mm]	LENGTH [mm]	21324      ABCL - 6	6,0                  100	21325      ABCL - 7	7,0                  100	21284      ABCL - 8	8,0                  100	21285      ABCL - 9	9,0                  100	21286      ABCL -10	10,0                100	21287      ABCL -11	11,0                100	21288      ABCL -12	12,0                100	21289      ABCL -13	13,0                100	21290      ABCL -14	14,0                100	21291      ABCL -15	15,0                100
ORIFICE [mm]	LENGTH [mm]																							
21324      ABCL - 6	6,0                  100																							
21325      ABCL - 7	7,0                  100																							
21284      ABCL - 8	8,0                  100																							
21285      ABCL - 9	9,0                  100																							
21286      ABCL -10	10,0                100																							
21287      ABCL -11	11,0                100																							
21288      ABCL -12	12,0                100																							
21289      ABCL -13	13,0                100																							
21290      ABCL -14	14,0                100																							
21291      ABCL -15	15,0                100																							



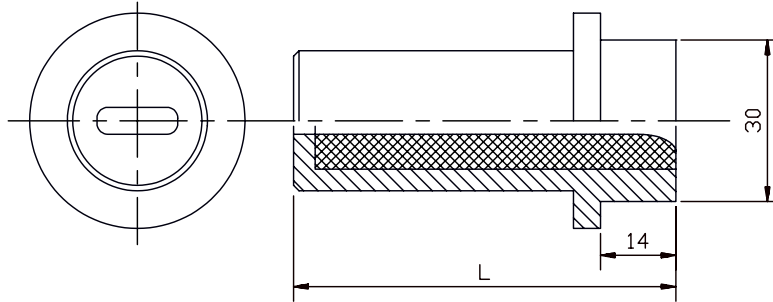


## BORON CARBIDE FISHTAIL NOZZLES WITH ALUMINIUM JACKET, BLACK FINISH

ART.NR.	MODEL	DESCRIPTION
---------	-------	-------------

FLANGED TYPE FISHTAIL NOZZLES FOR USE IN  
COMBINATION WITH "ABCLI" LEAD-IN NOZZLES AND  
"ANH" NOZZLE HOLDERS

		ORIFICE [mm]	LENGTH [mm]
21302	ABCFT - 10 / 4	10 x 4	72
21303	ABCFT - 15 / 5	15 x 5	72
21304	ABCFT - 16 / 8	16 x 8	82

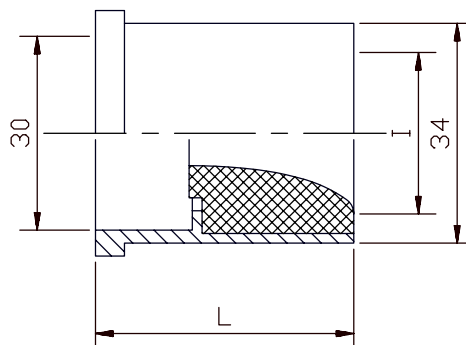


## BORON CARBIDE LEAD-IN NOZZLES WITH ALUMINIUM JACKET, BLACK FINISH

ART.NR.	MODEL	DESCRIPTION
---------	-------	-------------

LEAD-IN NOZZLES FOR USE IN COMBINATION WITH  
"ABCM, ABCL, ABCFT, ABCA" NOZZLES AND "ANH"  
NOZZLE HOLDERS

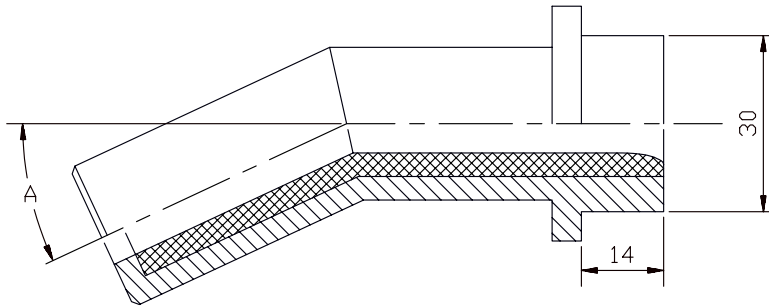
		ORIFICE [mm]	LENGTH [mm]
21292	ABCLI - 6	6,0	40
21293	ABCLI - 7	7,0	40
21294	ABCLI - 8	8,0	40
21295	ABCLI - 9	9,0	40
21296	ABCLI - 10	10,0	40
21297	ABCLI - 11	11,0	40
21298	ABCLI - 12	12,0	40
21299	ABCLI - 13	13,0	40
21300	ABCLI - 14	14,0	40
21301	ABCLI - 15	15,0	40





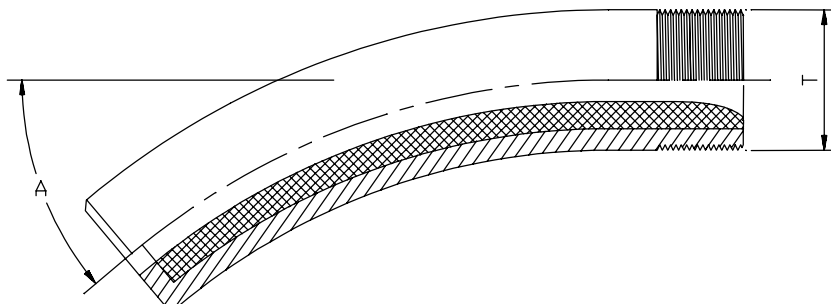
## BORON CARBIDE ANGLE NOZZLES WITH METAL JACKET

ART.NR.	MODEL	DESCRIPTION																																							
<b>FLANGED TYPE ANGLE NOZZLES FOR USE IN COMBINATION WITH "ABCLI" LEAD-IN NOZZLES AND "ANH" NOZZLE HOLDERS</b>																																									
		<table style="width: 100%; border: none;"> <thead> <tr> <th style="text-align: center;">ORIFICE [mm]</th> <th style="text-align: center;">LENGTH [mm]</th> <th style="text-align: center;">ANGLE [ °]</th> </tr> </thead> <tbody> <tr><td>21307</td><td>ABCA - 20 / 8</td><td>8,0</td></tr> <tr><td>21308</td><td>ABCA - 20 / 10</td><td>10,0</td></tr> <tr><td>21309</td><td>ABCA - 20 / 12</td><td>12,0</td></tr> <tr><td>21310</td><td>ABCA - 25 / 8</td><td>8,0</td></tr> <tr><td>21311</td><td>ABCA - 25 / 10</td><td>10,0</td></tr> <tr><td>21312</td><td>ABCA - 25 / 12</td><td>12,0</td></tr> <tr><td>21313</td><td>ABCA - 30 / 8</td><td>8,0</td></tr> <tr><td>21314</td><td>ABCA - 30 / 10</td><td>10,0</td></tr> <tr><td>21315</td><td>ABCA - 30 / 12</td><td>12,0</td></tr> <tr><td>21316</td><td>ABCA - 40 / 8</td><td>8,0</td></tr> <tr><td>21317</td><td>ABCA - 40 / 10</td><td>10,0</td></tr> <tr><td>21318</td><td>ABCA - 40 / 12</td><td>12,0</td></tr> </tbody> </table>	ORIFICE [mm]	LENGTH [mm]	ANGLE [ °]	21307	ABCA - 20 / 8	8,0	21308	ABCA - 20 / 10	10,0	21309	ABCA - 20 / 12	12,0	21310	ABCA - 25 / 8	8,0	21311	ABCA - 25 / 10	10,0	21312	ABCA - 25 / 12	12,0	21313	ABCA - 30 / 8	8,0	21314	ABCA - 30 / 10	10,0	21315	ABCA - 30 / 12	12,0	21316	ABCA - 40 / 8	8,0	21317	ABCA - 40 / 10	10,0	21318	ABCA - 40 / 12	12,0
ORIFICE [mm]	LENGTH [mm]	ANGLE [ °]																																							
21307	ABCA - 20 / 8	8,0																																							
21308	ABCA - 20 / 10	10,0																																							
21309	ABCA - 20 / 12	12,0																																							
21310	ABCA - 25 / 8	8,0																																							
21311	ABCA - 25 / 10	10,0																																							
21312	ABCA - 25 / 12	12,0																																							
21313	ABCA - 30 / 8	8,0																																							
21314	ABCA - 30 / 10	10,0																																							
21315	ABCA - 30 / 12	12,0																																							
21316	ABCA - 40 / 8	8,0																																							
21317	ABCA - 40 / 10	10,0																																							
21318	ABCA - 40 / 12	12,0																																							



## BORON CARBIDE CURVED NOZZLES WITH METAL JACKET

ART.NR.	MODEL	DESCRIPTION												
<b>CURVED NOZZLES WITH FINE THREAD T = 26 mm [ ¾" 14 TPI NPSM ]</b>														
		<table style="width: 100%; border: none;"> <thead> <tr> <th style="text-align: center;">ORIFICE [mm]</th> <th style="text-align: center;">LENGTH [mm]</th> <th style="text-align: center;">ANGLE [ °]</th> </tr> </thead> <tbody> <tr><td>21319</td><td>ABCC - 40 / 6</td><td>6,0</td></tr> <tr><td>21321</td><td>ABCC - 40 / 8</td><td>8,0</td></tr> <tr><td>21322</td><td>ABCC - 40 / 10</td><td>10,0</td></tr> </tbody> </table>	ORIFICE [mm]	LENGTH [mm]	ANGLE [ °]	21319	ABCC - 40 / 6	6,0	21321	ABCC - 40 / 8	8,0	21322	ABCC - 40 / 10	10,0
ORIFICE [mm]	LENGTH [mm]	ANGLE [ °]												
21319	ABCC - 40 / 6	6,0												
21321	ABCC - 40 / 8	8,0												
21322	ABCC - 40 / 10	10,0												

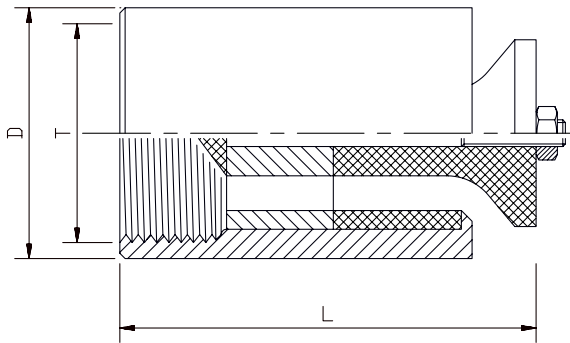




## BORON CARBIDE BLAST HEAD 360° WITH METAL JACKET AND REPLACEABLE DEFLECTING PIECE

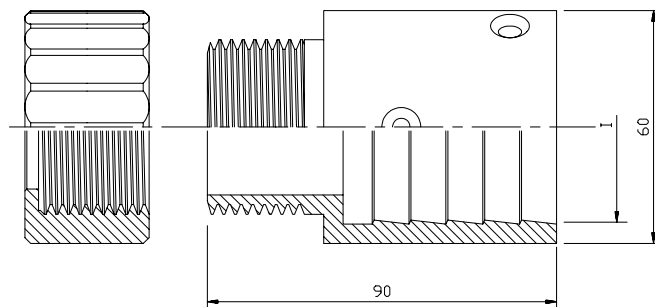
ART.NR.	MODEL	DESCRIPTION	THREAD T [ " ]	D [mm]	LENGTH [mm]
23090	ABCR - 38		R $\frac{3}{8}$ "	22	61
23091	ABCR - 24		R $\frac{1}{2}$ "	23	61
23092	ABCR - 34		R $\frac{3}{4}$ "	30	73
23093	ABCR - 44		R $1 \frac{1}{4}$ "	38	73
23094	ABCR - 54		R $1 \frac{1}{4}$ "	47	78
23095	ABCR - 64		R $1 \frac{1}{2}$ "	53	78

23096	Deflecting piece for ABCR - 38
23097	Deflecting piece for ABCR - 24
23098	Deflecting piece for ABCR - 34
23099	Deflecting piece for ABCR - 44
23100	Deflecting piece for ABCR - 54



## ALUMINIUM NOZZLE HOLDERS FOR USE IN COMBINATION WITH LEAD-IN NOZZLES

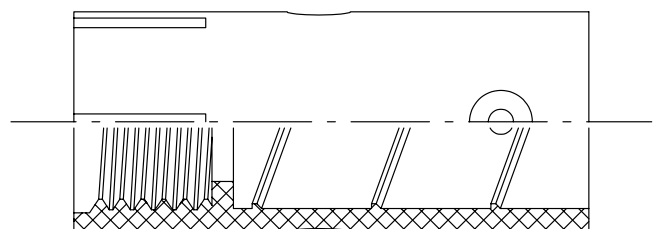
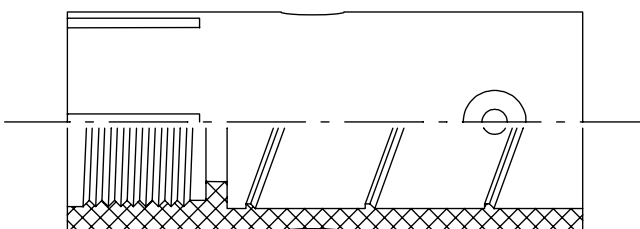
ART.NR.	MODEL	DESCRIPTION
21371	ANH - 39	<b>COMPLETE WITH PLASTIC TIGHTENING NUT, TO BE USED IN COMBINATION WITH BORON CARBIDE FLANGE NOZZLES AND ABCLI LEAD-IN NOZZLES:</b>  Fits to 39 mm O.D. - 25 mm I.D. hose ( 1" ) Fits to 48 mm O.D. - 32 mm I.D. hose ( 1 1/4" )
21381	AHN - 48	





# NOZZLE HOLDERS AND WASHERS

ART.NR.	MODEL	DESCRIPTION
<b>NYLON :</b>		
<b>FINE THREAD ( 41 mm - 1 1/4" )</b>		
21231	NNH - 0	Fits to 27 mm O.D. - 13 mm I.D. hose ( 1/2" ) <b>3/4" Thread</b>
21236	NNH - 3/4	Fits to 33 mm O.D. - 19 mm I.D. hose ( 3/4" )
21241	NNH - 1	Fits to 39 mm O.D. - 25 mm I.D. hose ( 1" )
21251	NNH - 2	Fits to 48 mm O.D. - 32 mm I.D. hose ( 1 1/4" )
21261	NNH - 3	Fits to 56 mm O.D. - 38 mm I.D. hose ( 1 1/2" )
<b>LARGE THREAD ( 50 mm - 2" )</b>		
21230	NNH - 0 /50	Fits to 27 mm O.D. - 13 mm I.D. hose ( 1/2" ) <b>3/4" Thread</b>
21235	NNH - 3/4 /50	Fits to 33 mm O.D. - 19 mm I.D. hose ( 3/4" )
21240	NNH - 1 /50	Fits to 39 mm O.D. - 25 mm I.D. hose ( 1" )
21250	NNH - 2 /50	Fits to 48 mm O.D. - 32 mm I.D. hose ( 1 1/4" )
21260	NNH - 3 /50	Fits to 56 mm O.D. - 38 mm I.D. hose ( 1 1/2" )
21631	CFN	Quick nozzle holder for all 1 1/4" fine thread nozzles
<b>ALUMINIUM :</b>		
<b>FINE THREAD ( 41 mm - 1 1/4" )</b>		
21331	CHE - 0	Fits to 27 mm O.D. - 13 mm I.D. hose ( 1/2" ) <b>3/4" Thread</b>
21332	CHE - 3/4	Fits to 33 mm O.D. - 19 mm I.D. hose ( 3/4" ) (incl. adaptor)
21340	CHE - 1	Fits to 39 mm O.D. - 25 mm I.D. hose ( 1" )
21350	CHE - 2	Fits to 48 mm O.D. - 32 mm I.D. hose ( 1 1/4" )
<b>LARGE THREAD ( 50 mm - 2" )</b>		
21370	CHE - 1 /50	Fits to 39 mm O.D. - 25 mm I.D. hose ( 1" )
21380	CHE - 2 /50	Fits to 48 mm O.D. - 32 mm I.D. hose ( 1 1/4" )
21205		Retainer nut for Boron Alloy Flange Nozzles
21620	CFA	Quick nozzle holder for all 1 1/4" fine thread nozzles
21270	CFA /50	Quick nozzle holder for all 2" large thread nozzles
21333		Adaptor for CHE - 3/4" - 3/4" Fine Thread
<b>NOZZLE WASHERS :</b>		
21400	AW - 0	For nozzles with 1/2" inlet, 3/4" thread nozzle holders
21410	AW - 25	For nozzles with 1" inlet, 1 1/4" <b>fine</b> thread nozzle holders
21411	AW - 25 /N	For nozzles with 1" inlet, 2" <b>large</b> thread nylon nozzle holders
21420	AW - 32	For nozzles with 1 1/4" inlet, 2" <b>large</b> thread aluminium nozzle holders
21421	AW - 32 /N	For nozzles with 1 1/4" inlet, 2" <b>large</b> thread nylon nozzle holders
<b>COUPLING SCREWS</b>		
21660	KS - 0	Screws for 1/2" ID hose
21670	KS	Screws for hoses larger than 1/2" ID

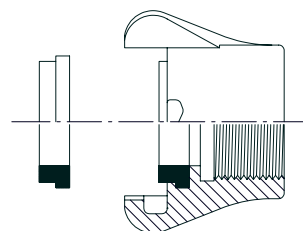
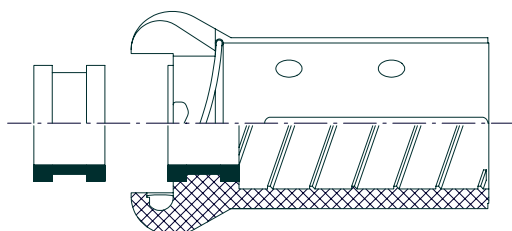




# BLAST HOSE AND MACHINE COUPLINGS

ART.NR.	MODEL	DESCRIPTION
<b>ALUMINIUM HOSE COUPLINGS</b>		
21551	CQA - 0	Fits to 27 mm O.D. - 12 mm I.D. hose ( 1/2" )
21430	CQA - 1	Fits to 39 mm O.D. - 25 mm I.D. hose ( 1" )
21440	CQA - 2	Fits to 48 mm O.D. - 32 mm I.D. hose ( 1 1/4" )
21450	CQA - 3	Fits to 56 mm O.D. - 38 mm I.D. hose ( 1 1/2" )
<b>CAST IRON HOSE COUPLINGS</b>		
21470	CQT - 1	Fits to 39 mm O.D. - 25 mm I.D. hose ( 1" )
21480	CQT - 2	Fits to 48 mm O.D. - 32 mm I.D. hose ( 1 1/4" )
21490	CQT - 3	Fits to 56 mm O.D. - 38 mm I.D. hose ( 1 1/2" )
21500	CQT - 4	Fits to 60 mm O.D. - 42 mm I.D. hose ( 1 3/4" )
<b>NYLON HOSE COUPLINGS</b>		
21508	CQN - 0	Fits to 27 mm O.D. - 12 mm I.D. hose ( 1/2" )
21509	CQN - 3/4	Fits to 33 mm O.D. - 19 mm I.D. hose ( 3/4" )
21510	CQN - 1	Fits to 39 mm O.D. - 25 mm I.D. hose ( 1" )
21520	CQN - 2	Fits to 48 mm O.D. - 32 mm I.D. hose ( 1 1/4" )
21530	CQN - 3	Fits to 56 mm O.D. - 38 mm I.D. hose ( 1 1/2" )
21540	CQN - 4	Fits to 60 mm O.D. - 42 mm I.D. hose ( 1 3/4" )
21541		Safety spring for CQN hose couplings
<b>BRASS HOSE COUPLINGS</b>		
21550	CQB - 0	Fits to 27 mm O.D. - 12 mm I.D. hose ( 1/2" )
21560	CQB - 1	Fits to 33 mm O.D. - 19 mm I.D. hose ( 3/4" )
21570	CQB - 2	Fits to 39 mm O.D. - 25 mm I.D. hose ( 1" )
21580	CQB - 3	Fits to 48 mm O.D. - 32 mm I.D. hose ( 1 1/4" )
21590	CQB - 4	Fits to 56 mm O.D. - 38 mm I.D. hose ( 1 1/2" )
<b>THREADED CLAW COUPLINGS, ALSO USEABLE AS QUICK NOZZLE HOLDERS</b>		
21600	CFB - 0	Brass 1/2" thread
21610	CFB	Brass 1 1/4" thread
21620	CFA	Aluminium 1 1/4" thread
21270	CFA / 50	Aluminium 2" large thread
21630	CFT	Cast iron 1 1/4" thread
21320	CFT / 50	Cast iron 2" large thread
21631	CFN	Nylon 1 1/4" thread
<b>COUPLING GASKETS</b>		
21635	CQ - 0	Gasket for CQN-0
21645	CQG - B	Gasket for CQB-0, CFB-0
21651	CQG - 1	Gasket for CQN-1
21652	CQG - 2	Gasket for CQN-2, -3, -4, CFN
21650	CQG	Gasket for CQA, CQB, CQT, CFA, CFB, CFT
<b>COUPLING SCREWS</b>		
21660	KS - 0	Screws for 1/2" ID hose
21670	KS	Screws for hoses larger than 1/2" ID

Couplings supplied with necessary gasket.





## BLAST HOSE AND TWIN LINE AIR CONTROL HOSE

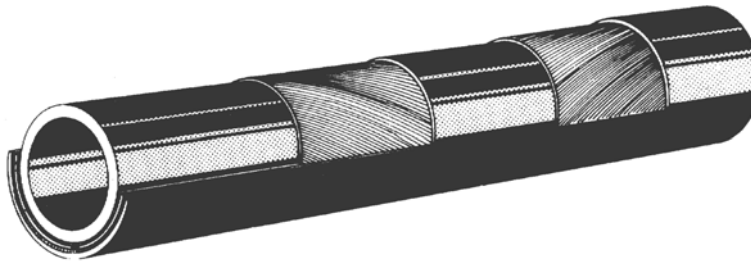
ART.NR.	MODEL	DESCRIPTION
<b>BLAST HOSE - HEAVY</b>		
<b>Heavy execution, Working Pressure 12 Bar Suitable for all abrasives</b>		
<b>WEAR FACTOR 60 mm<sup>3</sup> acc. to DIN 53516</b>		
25060	13 x 7	1/2" 13 mm hose I.D. , 27 mm hose O.D.
25061	19 x 7	3/4" 19 mm hose I.D. , 33 mm hose O.D.
25070	25 x 7	1" 25 mm hose I.D. , 39 mm hose O.D.
25080	32 x 8	1 1/4" 32 mm hose I.D. , 48 mm hose O.D.
25090	38 x 9	1 1/2" 38 mm hose I.D. , 56 mm hose O.D.
25100	42 x 9	1 3/4" 42 mm hose I.D. , 60 mm hose O.D.
25110	50 x 11	2" 50 mm hose I.D. , 72 mm hose O.D.

### BLAST HOSE - EXTRA HEAVY

**Extra heavy execution, Working Pressure 12 Bar  
For sharp-edged hard abrasives,  
( Aluminium-Oxide, Steel Grit, Glass )**

**WEAR FACTOR 36 mm<sup>3</sup> acc. to DIN 53516**

25120	13 x 7	1/2" 13 mm hose I.D. , 27 mm hose O.D.
25021	19 x 7	3/4" 19 mm hose I.D. , 33 mm hose O.D.
25130	25 x 7	1" 25 mm hose I.D. , 39 mm hose O.D.
25140	32 x 8	1 1/4" 32 mm hose I.D. , 48 mm hose O.D.
25150	38 x 9	1 1/2" 38 mm hose I.D. , 56 mm hose O.D.
25160	42 x 9	1 3/4" 42 mm hose I.D. , 60 mm hose O.D.
25170	50 x 11	2" 50 mm hose I.D. , 72 mm hose O.D.



## TWIN LINE AIR CONTROL HOSE

ART.NR.	MODEL	DESCRIPTION
2527101	5 x 11	3/16" - 5 mm I.D. twin hose
25271	6 x 14	1/4" - 6 mm I.D. twin hose
25272	6 x 14	1/4" - 6 mm I.D. twin hose - <b>20 meters</b>
25273	6 x 14	1/4" - 6 mm I.D. twin hose - <b>40 meters</b>
2178901		5 mm Hose barb with 1/4" swivel nut, brass
21789		6 mm Hose barb with 1/4" swivel nut, brass
11443		Twin hose coupled, length of 5 meters
11444		Twin hose coupled, length of 20 meters
11445		Twin hose coupled, length of 40 meters



## SUCTION AND DISCHARGE HOSE

ART.NR.	MODEL	DESCRIPTION
		<b>HEAVY DUTY RUBBER SUCTION AND DISCHARGE HOSE</b> Working Pressure : 4.0 Bar Vacuum : 0.7 Bar Inner Tube : PARA Rubber Outer cover : NR / NBR Inlayers : Steel spiral, "Static Wire"
25180	51 x 64	2" Suction / Discharge hose
25181	63 x 76	2½" Suction / Discharge hose
25182	76 x 91	3" Suction / Discharge hose
25190	102 x 118	4" Suction / Discharge hose
25191	127 x 143	5" Suction / Discharge hose
25192	152 x 172	6" Suction / Discharge hose
		<b>HEAVY DUTY PVC SUCTION AND DISCHARGE HOSE</b> Vacuum : 0.7 Bar Inner Tube : Smooth Polyurethane Outer cover : PVC Inlayers : PVC spiral, "Static Wire"
25183	51 x 64	2" Suction / Discharge hose - WP : 8 Bar
25184	63 x 76	2½" Suction / Discharge hose - WP : 7 Bar
25185	76 x 91	3" Suction / Discharge hose - WP : 6 Bar
25186	102 x 118	4" Suction / Discharge hose - WP : 4 Bar
25187	127 x 145	5" Suction / Discharge hose - WP : 4 Bar
25188	152 x 173	6" Suction / Discharge hose - WP : 3 Bar
		<b>MEDIUM DUTY PVC SUCTION AND DISCHARGE HOSE</b>
32310	51 / PVC	2" Medium duty PVC Suction Hose
32320	76 / PVC	3" Medium duty PVC Suction Hose

[ Other sizes upon request ]

## AIR HOSE AND HELMET AIR HOSE

ART.NR.	MODEL	DESCRIPTION
		<b>AIR HOSE - ( * DIN 20018 )</b>
25200	6 x 13	¼" 6 mm I.D. Air hose - BP : 54 bar / WP : 10 bar
25210	10 x 18	⅜" 10 mm I.D. Air hose - BP : 54 bar / WP : 10 bar
25211	13 x 23	½" 13 mm I.D. Air hose - BP : 54 bar / WP : 10 bar
25220	19 x 30	¾" 19 mm I.D. Air hose - BP : 54 bar / WP : 10 bar
25230	25 x 38 *	1" 25 mm I.D. Air hose - BP : 45 bar / WP : 15 bar
25240	32 x 46	1¼" 32 mm I.D. Air hose - BP : 45 bar / WP : 15 bar
25250	38 x 50	1½" 38 mm I.D. Air hose - BP : 40 bar / WP : 10 bar
25260	51 x 67	2" 51 mm I.D. Air hose - BP : 40 bar / WP : 10 bar
		<b>HELMET AIR HOSE</b> Working Pressure : 10 Bar ( ISO 3821 )
25270	9 x 16	⅜" 9 mm I.D. Helmet Air hose

[ Other sizes upon request ]

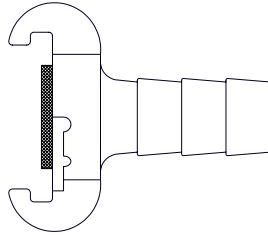


# QUICK COUPLINGS

ART.NR.	MODEL	DESCRIPTION
---------	-------	-------------

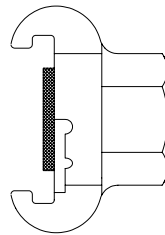
## QUICK COUPLINGS - CAST IRON HOSE BARB

21680	SKG - 6	Quick coupling to fit 1/4" ( 6 mm ) hose I.D.
21681	SKG - 10	Quick coupling to fit 3/8" ( 10 mm ) hose I.D.
21682	SKG - 13	Quick coupling to fit 1/2" ( 13 mm ) hose I.D.
21683	SKG - 15	Quick coupling to fit 5/8" ( 15 mm ) hose I.D.
21684	SKG - 19	Quick coupling to fit 3/4" ( 19 mm ) hose I.D.
21685	SKG - 25	Quick coupling to fit 1" ( 25 mm ) hose I.D.
21686	SKG - 32	Quick coupling to fit 1 1/4" ( 32 mm ) hose I.D.



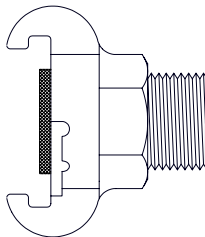
## QUICK COUPLING - CAST IRON INSIDE THREAD

21690	KIG - 14	Quick coupling 1/4" inside thread, female
21691	KIG - 38	Quick coupling 3/8" inside thread, female
21692	KIG - 12	Quick coupling 1/2" inside thread, female
21693	KIG - 34	Quick coupling 3/4" inside thread, female
21694	KIG - 10	Quick coupling 1" inside thread, female
21696	KIG - 54	Quick coupling 1 1/4" inside thread, female



## QUICK COUPLING - CAST IRON OUTSIDE THREAD

21700	KAG - 14	Quick coupling 1/4" outside thread, male
21701	KAG - 38	Quick coupling 3/8" outside thread, male
21702	KAG - 12	Quick coupling 1/2" outside thread, male
21703	KAG - 34	Quick coupling 3/4" outside thread, male
21704	KAG - 10	Quick coupling 1" outside thread, male

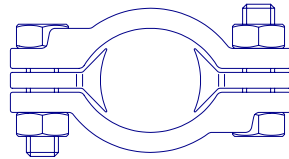


21640	CQG	Rubber coupling gasket for SKG, KIG and KAG
-------	-----	---

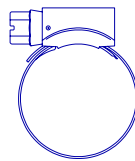


## HOSE CLAMPS

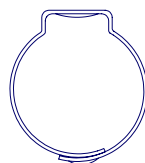
ART.NR.	MODEL	DESCRIPTION
<b>HOSE CLAMPS - CAST IRON</b>		
21710	SL - 29	Clamp for 22 - 29 mm hose O.D. ( 1/2" hose I.D. )
21711	SL - 34	Clamp for 28 - 34 mm hose O.D. ( 3/4" hose I.D. )
21712	SL - 40	Clamp for 32 - 40 mm hose O.D. ( 1" hose I.D. )
21713	SL - 49	Clamp for 39 - 49 mm hose O.D. ( 1 1/4" hose I.D. )
21714	SL - 60	Clamp for 48 - 60 mm hose O.D. ( 1 1/2" hose I.D. )
21715	SL - 76	Clamp for 60 - 76 mm hose O.D. ( 2" hose I.D. )
21716	SL - 94	Clamp for 77 - 94 mm hose O.D. ( 2 1/2" hose I.D. )
21717	SL - 115	Clamp for 94 - 115 mm hose O.D. ( 3" hose I.D. )
21718	SL - 145	Clamp for 115 - 145 mm hose O.D. ( 3 1/2" hose I.D. )



<b>HOSE CLAMPS - STEEL</b>		
21720	HS - 14	Clamp for 8 - 14 mm hose O.D.
21721	HS - 20	Clamp for 13 - 20 mm hose O.D.
21722	HS - 25	Clamp for 15 - 25 mm hose O.D.
21723	HS - 32	Clamp for 22 - 32 mm hose O.D.
21724	HS - 44	Clamp for 32 - 44 mm hose O.D.
21725	HS - 50	Clamp for 38 - 50 mm hose O.D.
21726	HS - 65	Clamp for 50 - 65 mm hose O.D.
21727	HS - 75	Clamp for 58 - 75 mm hose O.D.
21728	HS - 85	Clamp for 68 - 85 mm hose O.D.
21729	HS - 95	Clamp for 77 - 95 mm hose O.D.
21730	HS - 112	Clamp for 87 - 112 mm hose O.D.
21731	HS - 138	Clamp for 104 - 138 mm hose O.D.
21732	HS - 165	Clamp for 130 - 165 mm hose O.D.



21733	EC - 12	Clamp for 10.4 - 12.3 mm hose O.D.
21734	EC - 14	Clamp for 10.0 - 13.8 mm hose O.D.
21735	EC - 17	Clamp for 15.1 - 17.0 mm hose O.D.
21736	EC - 23	Clamp for 20.0 - 23.0 mm hose O.D.
21737	EC - 31	Clamp for 27.0 - 31.0 mm hose O.D.



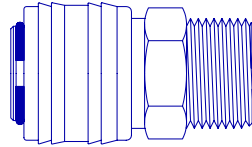


# QUICK CONNECT COUPLINGS

ART.NR.	MODEL	DESCRIPTION
---------	-------	-------------

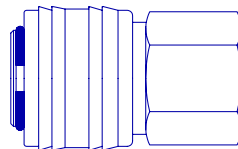
## QUICK CONNECT COUPLINGS - BRASS OUTSIDE THREAD

21741	CCC - 14/O	Quick connect coupling $\frac{1}{4}$ " - outside thread, brass
21742	CCC - 38/O	Quick connect coupling $\frac{3}{8}$ " - outside thread, brass
21743	CCC - 12/O	Quick connect coupling $\frac{1}{2}$ " - outside thread, brass



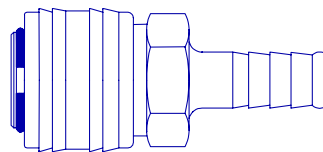
## QUICK CONNECT COUPLINGS - BRASS INSIDE THREAD

21751	CCC - 14/I	Quick connect coupling $\frac{1}{4}$ " - inside thread, brass
21752	CCC - 38/I	Quick connect coupling $\frac{3}{8}$ " - inside thread, brass
21753	CCC - 12/I	Quick connect coupling $\frac{1}{2}$ " - inside thread, brass



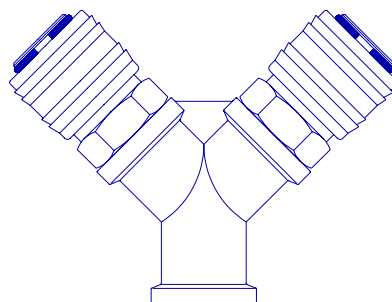
## QUICK CONNECT COUPLINGS - BRASS WITH HOSE BARB

21760	CCC - 14/F	Quick connect coupling with $\frac{1}{4}$ " hose barb, brass ( 6 mm )
21761	CCC - 38/F	Quick connect coupling with $\frac{3}{8}$ " hose barb, brass (10 mm)
21762	CCC - 12/F	Quick connect coupling with $\frac{1}{2}$ " hose barb, brass (13 mm)



## MANIFOLDS COMPLETE WITH QUICK COUPLINGS - BRASS

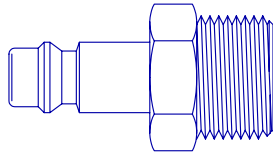
21800	M - 2	Manifold for 2 users - brass, ( $\frac{3}{8}$ " inside thread)
21801	M - 3	Manifold for 3 users - brass, ( $\frac{3}{8}$ " inside thread)



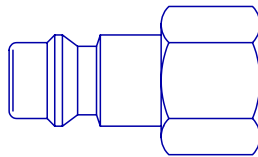


## QUICK CONNECT PLUGS

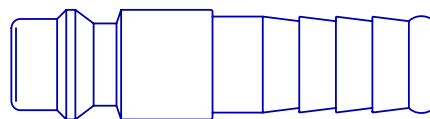
ART.NR.	MODEL	DESCRIPTION
<b>PLUGS WITH OUTSIDE THREAD - BRASS, MALE</b>		
21770	OF - 18	Plug with outside thread $\frac{1}{8}$ " - for connection to quick connect coupling
21771	OF - 14	Plug with outside thread $\frac{1}{4}$ " - for connection to quick connect coupling
21772	OF - 38	Plug with outside thread $\frac{3}{8}$ " - for connection to quick connect coupling
21773	OF - 12	Plug with outside thread $\frac{1}{2}$ " - for connection to quick connect coupling



<b>PLUGS WITH INSIDE THREAD - BRASS, FEMALE</b>		
21780	IF - 18	Plug with inside thread $\frac{1}{8}$ " - for connection to quick connect coupling
21781	IF - 14	Plug with inside thread $\frac{1}{4}$ " - for connection to quick connect coupling
21782	IF - 38	Plug with inside thread $\frac{3}{8}$ " - for connection to quick connect coupling
21783	IF - 12	Plug with inside thread $\frac{1}{2}$ " - for connection to quick connect coupling



<b>PLUGS WITH HOSE BARB - BRASS</b>		
21790	F - 14	Hose barb $\frac{1}{4}$ " (6 mm) for connection to quick connect coupling
21791	F - 38	Hose barb $\frac{3}{8}$ " (10 mm) for connection to quick connect coupling
21792	F - 12	Hose barb $\frac{1}{2}$ " (13 mm) for connection to quick connect coupling





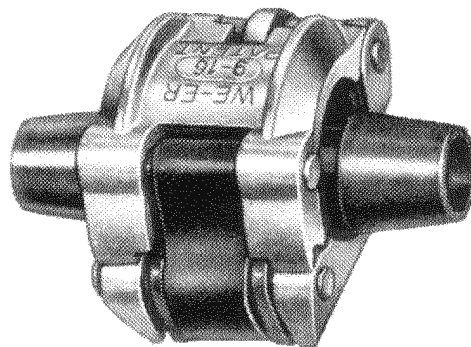
## WE-ER QUICK RELEASE COUPLINGS FOR COMPRESSED AIR, WATER AND GAS

ART.NR.	MODEL	DESCRIPTION
<b>WE-ER Quick Release Hose Couplings Model "N" and "S" For connection of hoses with identical hose I.D.</b>		
22773	S - 0916	Fits to 9 mm I.D., 16 mm O.D. hose
22774	N - 1020 *	Fits to 10 mm I.D., 20 mm O.D. hose
22775	N - 1320 *	Fits to 13 mm I.D., 20 mm O.D. hose
22776	S - 1323	Fits to 13 mm I.D., 23 mm O.D. hose
22777	S - 1325	Fits to 13 mm I.D., 25 mm O.D. hose
22778	S - 1527	Fits to 15 mm I.D., 27 mm O.D. hose
22779	N - 1927	Fits to 19 mm I.D., 27 mm O.D. hose
22780	S - 1929	Fits to 19 mm I.D., 29 mm O.D. hose
22781	S - 1931	Fits to 19 mm I.D., 31 mm O.D. hose
22782	S - 1933	Fits to 19 mm I.D., 33 mm O.D. hose
22783	N - 2535	Fits to 25 mm I.D., 35 mm O.D. hose
22784	S - 2539	Fits to 25 mm I.D., 39 mm O.D. hose
22785	N - 2844 *	Fits to 28 mm I.D., 44 mm O.D. hose
22786	N - 3248 *	Fits to 32 mm I.D., 48 mm O.D. hose
22787	N - 3551 *	Fits to 35 mm I.D., 51 mm O.D. hose
22788	N - 3858 *	Fits to 38 mm I.D., 58 mm O.D. hose
22789	N - 4260 *	Fits to 42 mm I.D., 60 mm O.D. hose
22790	N - 5070 *	Fits to 50 mm I.D., 70 mm O.D. hose
22791	N - 5373 *	Fits to 53 mm I.D., 73 mm O.D. hose
22792	N - 6587	Fits to 65 mm I.D., 87 mm O.D. hose

### WE-ER Quick Release Hose REDUCER Couplings Model "R" For connection of hoses with different hose I.D.

22793	R - 1013	Fits to 10 mm I.D. hose and 13 mm O.D hose
22794	R - 1015	Fits to 10 mm I.D. hose and 15 mm O.D hose
22795	R - 1019	Fits to 10 mm I.D. hose and 19 mm O.D hose
22796	R - 1315	Fits to 13 mm I.D. hose and 15 mm O.D hose
22797	R - 1319	Fits to 13 mm I.D. hose and 19 mm O.D hose
22798	R - 1519	Fits to 15 mm I.D. hose and 19 mm O.D hose
22799	R - 1925	Fits to 19 mm I.D. hose and 25 mm O.D hose

\* marked couplings are steel couplings. All others are brass couplings.

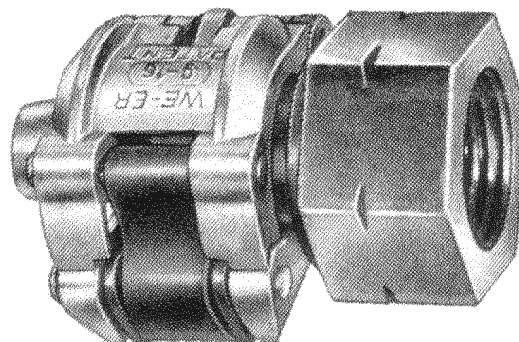




## WE-ER QUICK RELEASE COUPLINGS FOR COMPRESSED AIR, WATER AND GAS

ART.NR.	MODEL	DESCRIPTION
<b>WE-ER Connector couplings Model "KI" with inside thread and double clamping</b>		
22800	KI - 0916 A	Fits to 9 mm I.D., 16 mm O.D. hose - R $\frac{3}{8}$ " Thread
22801	KI - 0916 B	Fits to 9 mm I.D., 16 mm O.D. hose - R $\frac{1}{2}$ " Thread
22802	KI - 0916 C	Fits to 9 mm I.D., 16 mm O.D. hose - R $\frac{3}{4}$ " Thread
22803	KI - 1020 A *	Fits to 10 mm I.D., 20 mm O.D. hose - R $\frac{3}{8}$ " Thread
22804	KI - 1020 B *	Fits to 10 mm I.D., 20 mm O.D. hose - R $\frac{1}{2}$ " Thread
22805	KI - 1323 A *	Fits to 13 mm I.D., 23 mm O.D. hose - R $\frac{3}{8}$ " Thread
22806	KI - 1323 B *	Fits to 13 mm I.D., 23 mm O.D. hose - R $\frac{1}{2}$ " Thread
22807	KI - 1323 C *	Fits to 13 mm I.D., 23 mm O.D. hose - R $\frac{3}{4}$ " Thread
22808	KI - 1325 A *	Fits to 13 mm I.D., 25 mm O.D. hose - R $\frac{3}{8}$ " Thread
22809	KI - 1325 B *	Fits to 13 mm I.D., 25 mm O.D. hose - R $\frac{1}{2}$ " Thread
22810	KI - 1325 C *	Fits to 13 mm I.D., 25 mm O.D. hose - R $\frac{3}{4}$ " Thread
22811	KI - 1527 A *	Fits to 15 mm I.D., 27 mm O.D. hose - R $\frac{3}{8}$ " Thread
22812	KI - 1527 B *	Fits to 15 mm I.D., 27 mm O.D. hose - R $\frac{1}{2}$ " Thread
22813	KI - 1527 C *	Fits to 15 mm I.D., 27 mm O.D. hose - R $\frac{3}{4}$ " Thread
22814	KI - 1527 D *	Fits to 15 mm I.D., 27 mm O.D. hose - R 1" Thread
22815	KI - 1527 E *	Fits to 15 mm I.D., 27 mm O.D. hose - Rd 32 x $\frac{1}{8}$ "
22816	KI - 1931 A *	Fits to 19 mm I.D., 31 mm O.D. hose - R $\frac{3}{8}$ " Thread
22817	KI - 1931 B *	Fits to 19 mm I.D., 31 mm O.D. hose - R $\frac{1}{2}$ " Thread
22818	KI - 1931 C *	Fits to 19 mm I.D., 31 mm O.D. hose - R $\frac{3}{4}$ " Thread
22819	KI - 1931 D *	Fits to 19 mm I.D., 31 mm O.D. hose - R 1" Thread
22820	KI - 1931 E *	Fits to 19 mm I.D., 31 mm O.D. hose - Rd 32 x $\frac{1}{8}$ "
22821	KI - 1933 A *	Fits to 19 mm I.D., 33 mm O.D. hose - R $\frac{3}{4}$ " Thread
22822	KI - 1933 B *	Fits to 19 mm I.D., 33 mm O.D. hose - R 1" Thread
22823	KI - 1933 C *	Fits to 19 mm I.D., 33 mm O.D. hose - Rd 32 x $\frac{1}{8}$ "
22824	KI - 2539 A *	Fits to 25 mm I.D., 39 mm O.D. hose - R $\frac{3}{4}$ " Thread
22825	KI - 2539 B *	Fits to 25 mm I.D., 39 mm O.D. hose - R 1" Thread
22826	KI - 2539 C *	Fits to 25 mm I.D., 39 mm O.D. hose - Rd 32 x $\frac{1}{8}$ "
22827	KI - 3248 A *	Fits to 32 mm I.D., 48 mm O.D. hose - R 1" Thread
22828	KI - 3248 B *	Fits to 32 mm I.D., 48 mm O.D. hose - R $\frac{1}{4}$ " Thread
22829	KI - 3858 *	Fits to 38 mm I.D., 58 mm O.D. hose - R $\frac{1}{2}$ " Thread
22830	KI - 5070 *	Fits to 50 mm I.D., 70 mm O.D. hose - R 2" Thread
22831	KI - 5373 *	Fits to 53 mm I.D., 73 mm O.D. hose - R 2" Thread
22832	KI - 6595	Fits to 53 mm I.D., 73 mm O.D. hose - R $\frac{2}{2}$ " Thread

\* marked couplings are steel couplings. All others are brass couplings.





## WE-ER QUICK RELEASE COUPLINGS FOR COMPRESSED AIR, WATER AND GAS

ART.NR.	MODEL	DESCRIPTION
<b>WE-ER Connector couplings Model "KA" with outside thread and double clamping</b>		
22835	KA - 0916 A *	Fits to 9 mm I.D., 16 mm O.D. hose - R $\frac{1}{8}$ " Thread
22836	KA - 0916 B *	Fits to 9 mm I.D., 16 mm O.D. hose - R $\frac{1}{4}$ " Thread
22837	KA - 1020 A *	Fits to 13 mm I.D., 20 mm O.D. hose - R $\frac{3}{8}$ " Thread
22838	KA - 1020 B *	Fits to 13 mm I.D., 20 mm O.D. hose - R $\frac{1}{2}$ " Thread
22839	KA - 1323 A *	Fits to 13 mm I.D., 23 mm O.D. hose - R $\frac{3}{8}$ " Thread
22840	KA - 1323 B *	Fits to 13 mm I.D., 23 mm O.D. hose - R $\frac{1}{2}$ " Thread
22841	KA - 1323 C *	Fits to 13 mm I.D., 23 mm O.D. hose - R $\frac{3}{4}$ " Thread
22842	KA - 1325 A *	Fits to 13 mm I.D., 25 mm O.D. hose - R $\frac{3}{8}$ " Thread
22843	KA - 1325 B *	Fits to 13 mm I.D., 25 mm O.D. hose - R $\frac{1}{2}$ " Thread
22844	KA - 1325 C *	Fits to 13 mm I.D., 25 mm O.D. hose - R $\frac{3}{4}$ " Thread
22845	KA - 1527 A *	Fits to 15 mm I.D., 27 mm O.D. hose - R $\frac{3}{8}$ " Thread
22846	KA - 1527 B *	Fits to 15 mm I.D., 27 mm O.D. hose - R $\frac{1}{2}$ " Thread
22847	KA - 1527 C *	Fits to 15 mm I.D., 27 mm O.D. hose - R $\frac{3}{4}$ " Thread
22848	KA - 1929 *	Fits to 19 mm I.D., 29 mm O.D. hose - R $\frac{3}{4}$ " Thread
22849	KA - 1931 A *	Fits to 19 mm I.D., 31 mm O.D. hose - R $\frac{3}{8}$ " Thread
22850	KA - 1931 B *	Fits to 19 mm I.D., 31 mm O.D. hose - R $\frac{1}{2}$ " Thread
22851	KA - 1931 C *	Fits to 19 mm I.D., 31 mm O.D. hose - R $\frac{3}{4}$ " Thread
22851	KA - 1931 D *	Fits to 19 mm I.D., 31 mm O.D. hose - R 1" Thread
22852	KA - 1933 A *	Fits to 19 mm I.D., 33 mm O.D. hose - R $\frac{3}{4}$ " Thread
22853	KA - 1933 B *	Fits to 19 mm I.D., 33 mm O.D. hose - R 1" Thread
22854	KA - 2539 A *	Fits to 25 mm I.D., 39 mm O.D. hose - R $\frac{3}{4}$ " Thread
22855	KA - 2539 B *	Fits to 25 mm I.D., 39 mm O.D. hose - R 1" Thread
22856	KA - 3248 A *	Fits to 32 mm I.D., 48 mm O.D. hose - R 1" Thread
22857	KA - 3248 B *	Fits to 32 mm I.D., 48 mm O.D. hose - R $1\frac{1}{4}$ " Thread
22858	KA - 3858 *	Fits to 38 mm I.D., 58 mm O.D. hose - R $1\frac{1}{2}$ " Thread
22859	KA - 5070 *	Fits to 50 mm I.D., 70 mm O.D. hose - R 2" Thread
22860	KA - 5373 *	Fits to 53 mm I.D., 73 mm O.D. hose - R 2" Thread

\* marked couplings are steel couplings. All others are brass couplings.

