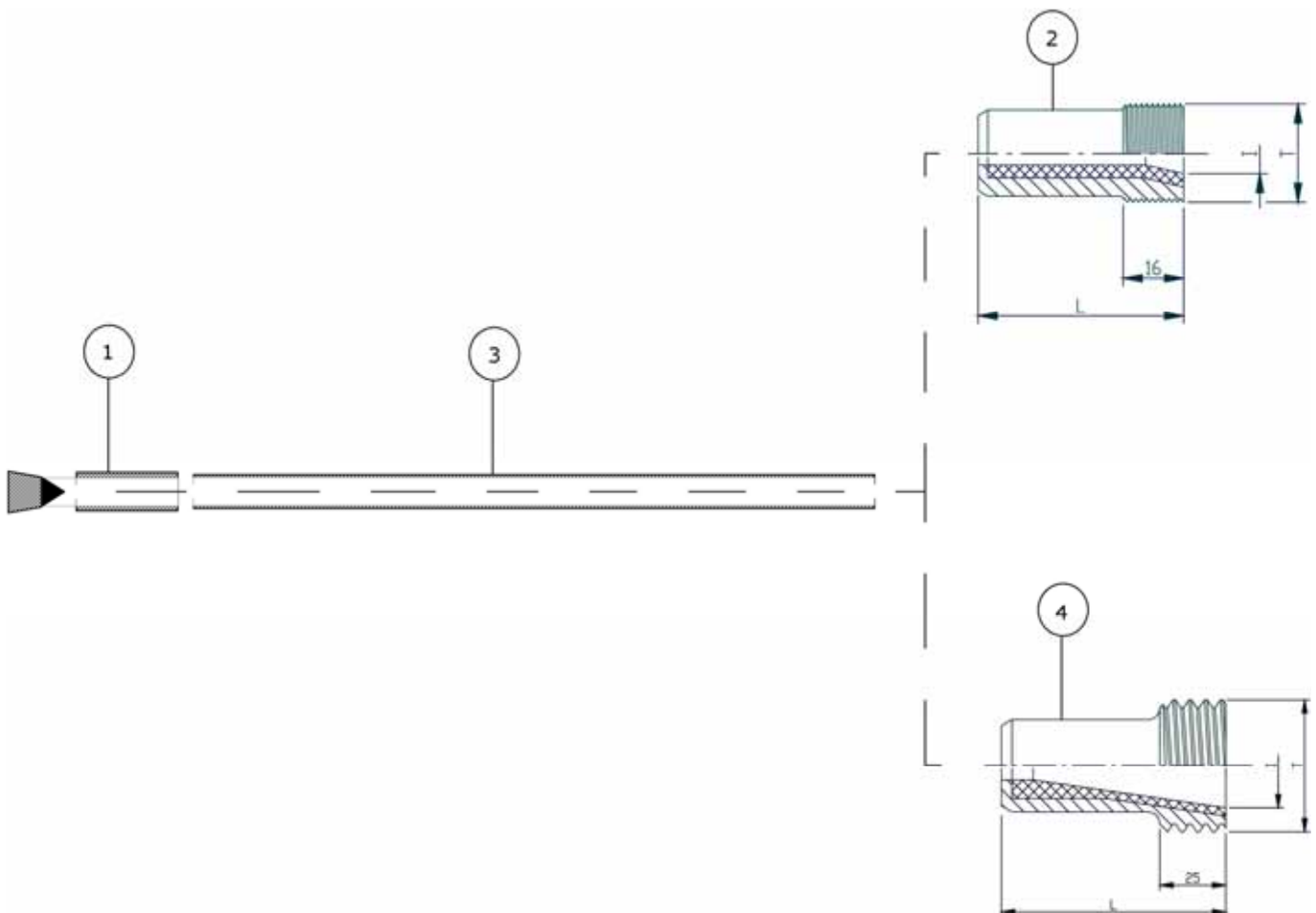




MINI BLAST INTERNAL PIPE CLEANER

ART.NR.	MODEL	DESCRIPTION
		MINI BLAST FOR PIPES ½" TO 1¼" (13 - 32 mm) I.D.
30001	MB - 1	MINI BLAST – 250 mm
30002	MB - 2	MINI BLAST – 500 mm
30003	MB - 3	MINI BLAST – 750 mm
30004	MB - 4	MINI BLAST – 1000 mm
1) 30005		Mini blast head Ø 13 mm
2) 30006	AMB - 4	Adaptor M10 – fine 26 mm thread
3) 30007	EMB - 250	Extension pipe 250 mm long
30008	EMB - 500	Extension pipe 500 mm long
30009	EMB - 750	Extension pipe 750 mm long
30012	EMB - 1000	Extension pipe 1000 mm long
4) 30011	AMB - 6	Adaptor M10 – large 50 mm thread

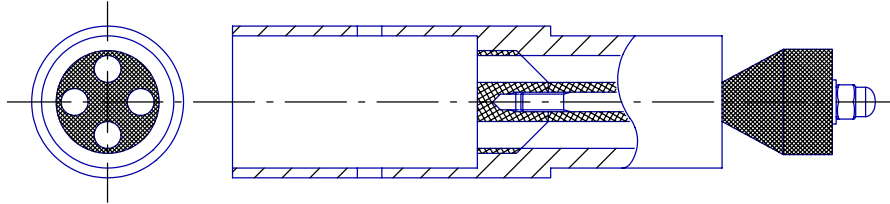




CIRCLEBLAST INTERNAL PIPE CLEANER

ART.NR.	MODEL	DESCRIPTION
---------	-------	-------------

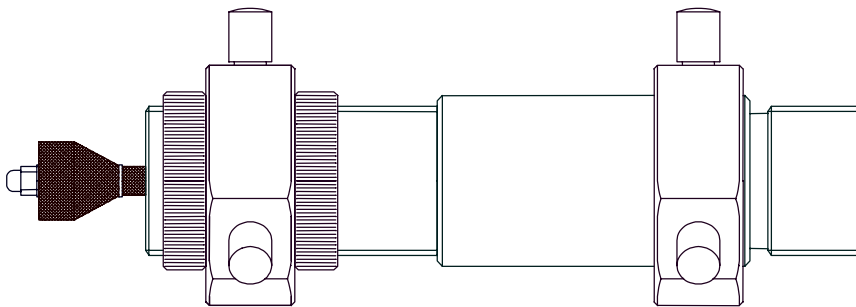
30021	CB - 0	CIRCLEBLAST FOR DIRECT MOUNTING ON BLAST HOSE WITH 1/2" I.D. (13 x 7 mm) FOR PIPES 1 1/4" TO 3" (35 - 76 mm) I.D. TUNGSTEN CARBIDE DEFLECTION TIP
-------	--------	--



CIRCLEBLAST INTERNAL PIPE CLEANER FOR PIPES 3" TO 12" (76 - 305 mm) I.D.

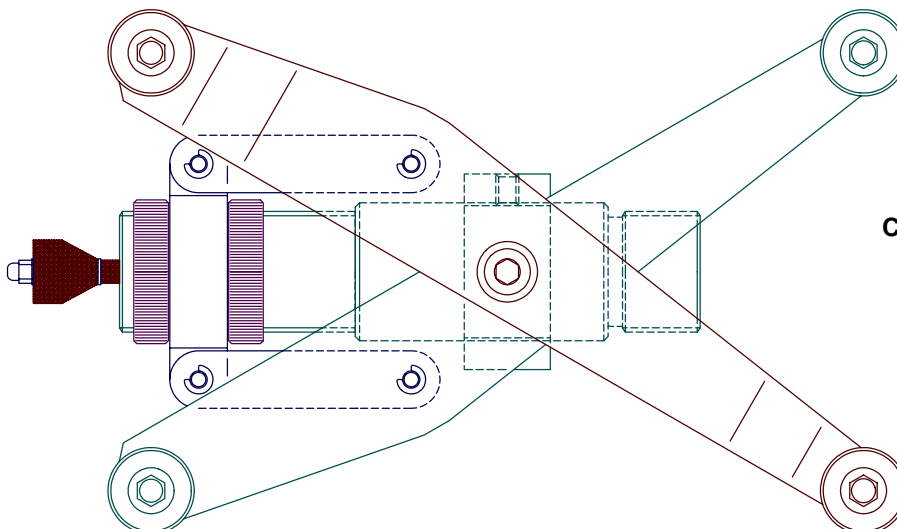
30022	CB - 1	CIRCLEBLAST COMPLETE, with: 1/2" nozzle HBN-8, CBC-1 centering collars, CBC-2 adjustable centering carriage.
-------	--------	---

30023	CB - 2	CIRCLEBLAST COMPLETE, with: 5/8" nozzle HBN-10, CBC-1 centering collars, CBC-2 adjustable centering carriage.
-------	--------	--



CIRCLEBLAST, EXECUTED WITH CBC-1 CENTERING COLLARS

**For Pipes 3" - 5" I.D.
(76 - 127 mm)**



CIRCLEBLAST, EXECUTED WITH CBC-2 CENTERING CARRIAGE

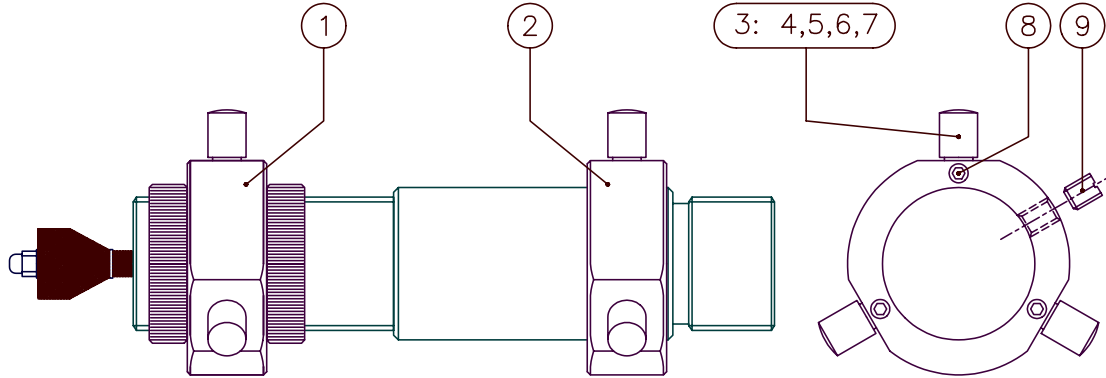
**For pipes 5" - 12" I.D.
(127 - 305 mm)**



CENTERING COLLARS AND CENTERING CARRIAGE FOR CIRCLEBLAST

ART.NR.	MODEL	DESCRIPTION
---------	-------	-------------

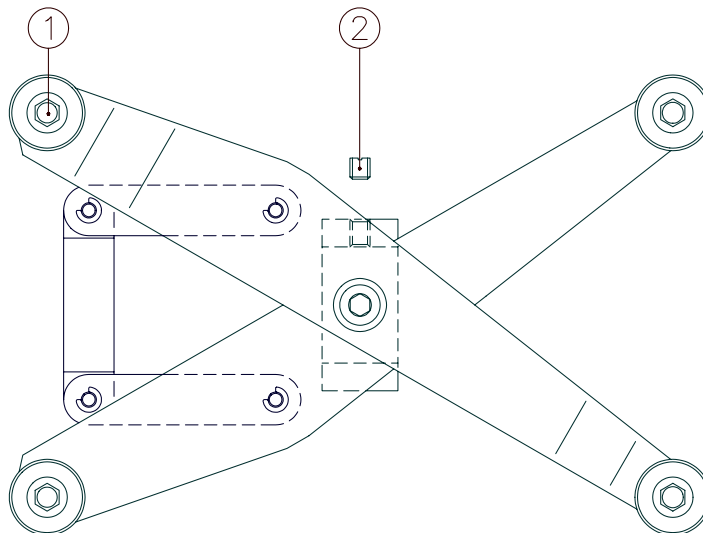
30030	CBC - 1	CENTERING COLLARS COMPLETE For pipes 3" to 5" (76 - 127 mm) I.D. Includes collars and four six-button sets
-------	---------	---



SPARE PARTS FOR 3" TO 5" CENTERING COLLARS:

- | | | |
|----|-------|---|
| 1) | 30040 | Front collar, cad-plate |
| 2) | 30050 | Rear collar, cad-plate |
| 3) | 30060 | Centering button set: 4 six-button sets |
| 4) | 30070 | 5/16" (8 mm) long button for 3½" (89 mm) I.D. pipe |
| 5) | 30080 | 9/16" (15 mm) long button for 4" (102 mm) I.D. pipe |
| 6) | 30090 | 13/16" (20 mm) long button for 4½" (115 mm) I.D. pipe |
| 7) | 30100 | 18/16" (28 mm) long button for 5" (127 mm) I.D. pipe |
| 8) | 30101 | Bolt |
| 9) | 30102 | Collar locking bolt |

30110	CBC - 2	ADJUSTABLE CENTERING CARRIAGE For pipes 5" to 12" (127 - 305 mm) I.D.
-------	---------	---



SPARE PARTS FOR 5" TO 12" CARRIAGE:

- | | | |
|----|-------|----------------|
| 1) | 30120 | Wheel complete |
| 2) | 30102 | Locking bolt |

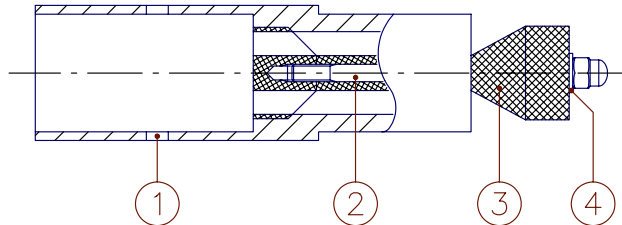


SPARE PARTS FOR CIRCLEBLAST

ART.NR.	MODEL	DESCRIPTION
---------	-------	-------------

SPARE PARTS CB0

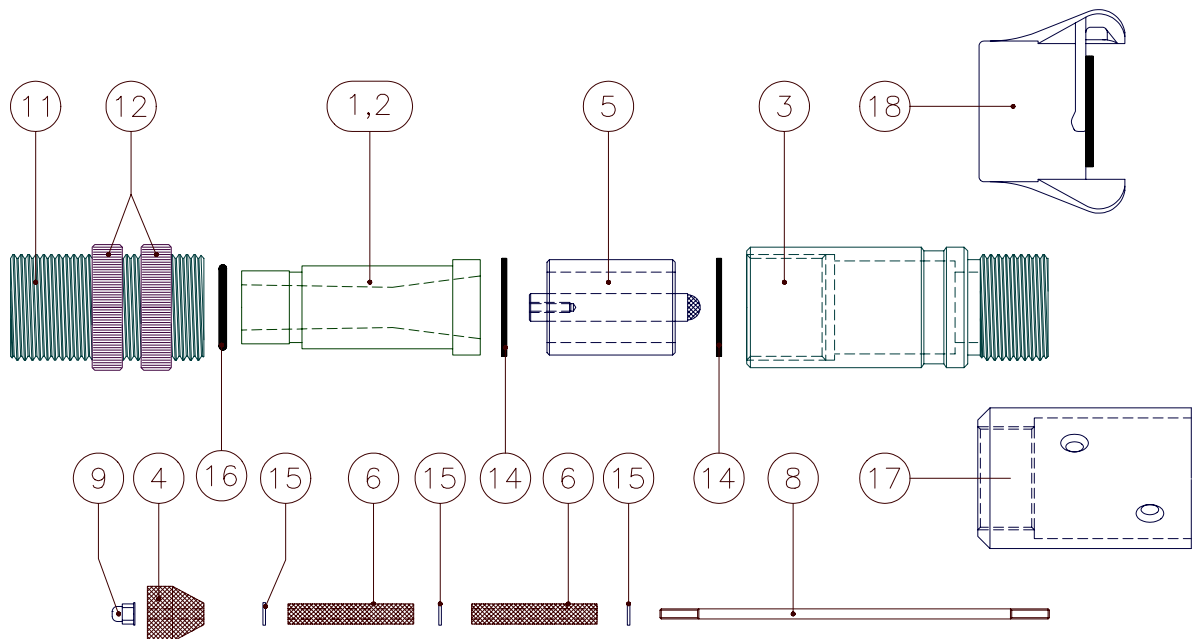
1) 30025		Housing
2) 30026		Bolt
3) 30160	CB - 110 /1	Deflection tip, Tungsten Carbide
4) 30280	CB - 122	Washer brass



30220

CIRCLEBLAST SPARE PARTS KIT: Containing * marked parts in quantities shown ()

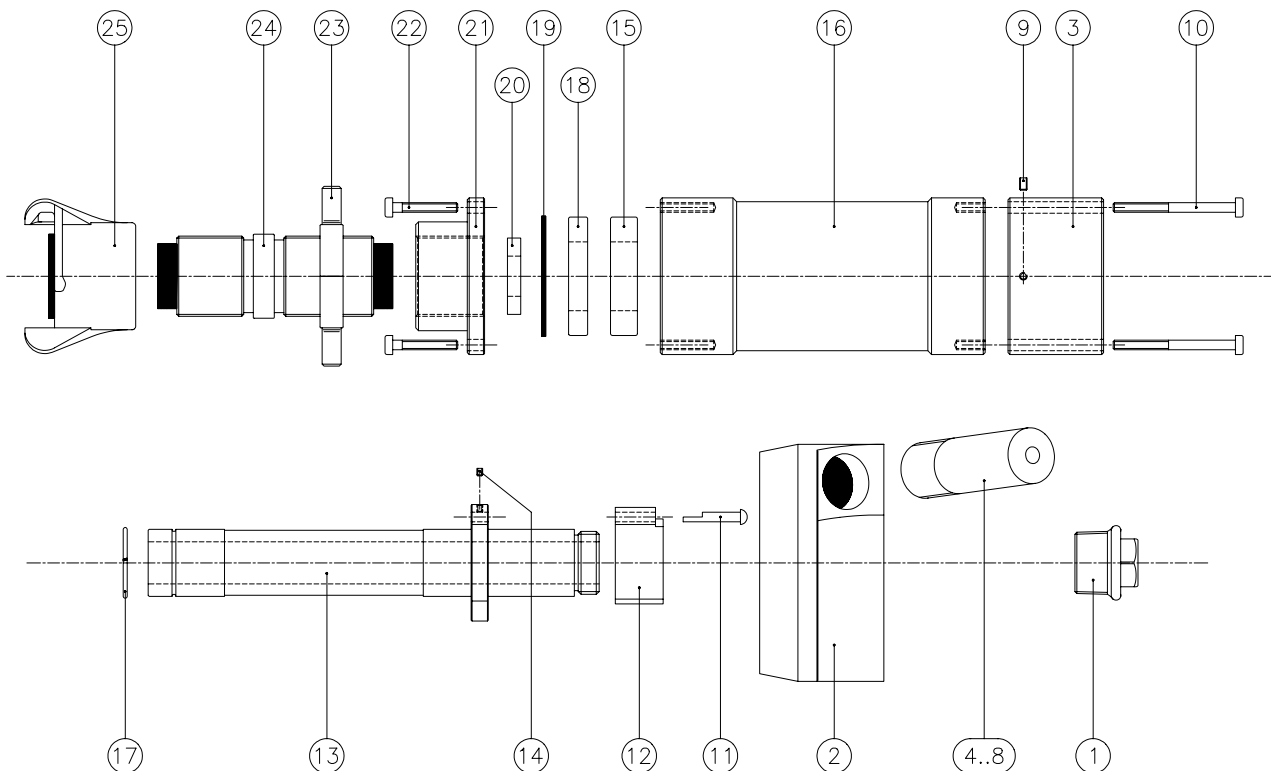
1) 21120	AHBN - 8	1/2" nozzle Tungsten Carbide	
2) 21130	AHBN - 10	5/8" nozzle Tungsten Carbide	
3) 30150	CB - 111	Tool holder	
4) 30160	CB - 110 /1	* Deflection tip Tungsten Carbide	(1)
5) 30180	CB - 112 /1	* Stem support assembly Tungsten Carbide	(1)
6) 30200	CB - 113 /1	* Throat sleeve Tungsten Carbide	(2)
8) 30230	CB - 115	* Throat rod	(1)
9) 30240	CB - 116	* Tip holding nut	(1)
11) 30250	CB - 117	Protection sleeve threaded	
12) 30260	CB - 118	Knurled lock nut	
14) 30270	CB - 119	* Stem support gasket	(2)
15) 30280	CB - 122	* Washer brass	(3)
16) 30290	CB - 123	* O-ring	(1)
17) 21350	CHE - 2	CHE-2 Nozzle holder, aluminium	
18) 21630	CFT	CFT Cast iron quick coupling	





SPINNERBLAST INTERNAL PIPE CLEANER

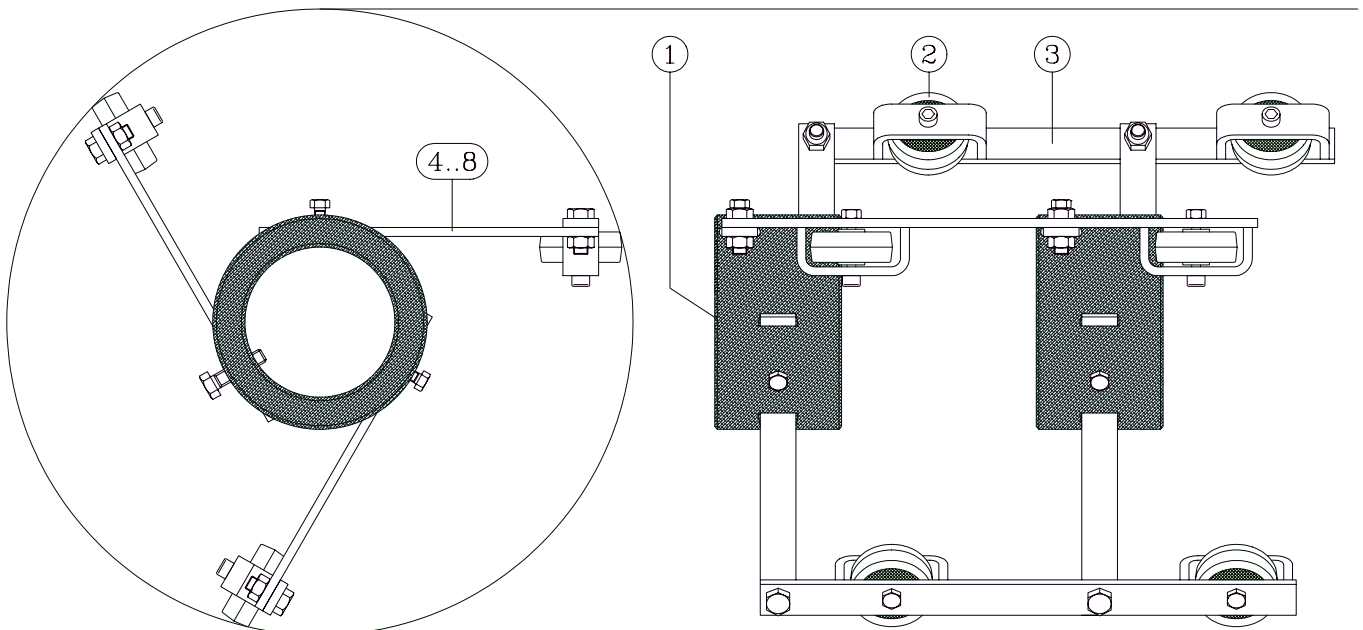
ART.NR.	MODEL	DESCRIPTION
30300	SB - 636 - A	SPINNERBLAST COMPLETE Incl. SPB-19 Carriage, without nozzles FOR PIPES 8" TO 36" (204 - 915 mm) I.D.
30320	SB - 636 - C	SPINNERBLAST SPARE PARTS KIT: Containing * marked parts below in quantities shown ()
1) 30330	SPB - 25 /1	* Pipe plug 1" (4)
2) 30350	SPB - 1	* Rotating nozzle head (1)
3) 30360	SPB - 2	Brake housing
4) 21070	SB - 13	Nozzle TC - 6,0 mm orifice, 49 mm long
5) 21080	SB - 14	Nozzle TC - 8,0 mm orifice, 49 mm long
6) 21090	SB - 15	Nozzle TC - 8,0 mm orifice, 80 mm long
7) 21100	SB - 16	Nozzle TC - 9,5 mm orifice, 49 mm long
8) 21110	SB - 17	Nozzle TC - 9,5 mm orifice, 103 mm long
9) 30370	SPB - 7	Set screw M6 x 8 mm
10) 30380	SPB - 18	Machine screw 65 mm
11) 30390	SPB - 27	* Locking pin (1)
12) 30400	SPB - 4	* Brake with lining (1)
13) 30410	SPB - 5 /1	* Tube (1)
14) 30430	SPB - 20	Set screw M5 x 6 mm
15) 30440	SPB - 6	* Double seal light bearing (2)
16) 30450	SPB - 12	Main body
17) 30460	SPB - 21	* Tube lock ring (2)
18) 30470	SPB - 8	* Bearing seal (1)
19) 30480	SPB - 22 /1	* Leather dust seal (30)
30481	SPB - 22 /2	Teflon dust seal
20) 30490	SPB - 9 /2	* Washer, Tungsten Carbide (2)
21) 30500	SPB - 9 /1	End plate, rear
22) 30510	SPB - 24	Machine screw 35 mm
23) 30520	SPB - 11	Locking nut for rear end plate
24) 30530	SPB - 10	* Rubber lined nipple 1¼" (2)
25) 21630	CFT	CFT Quick coupling (cast iron)





SPINNERBLAST - CARRIAGE

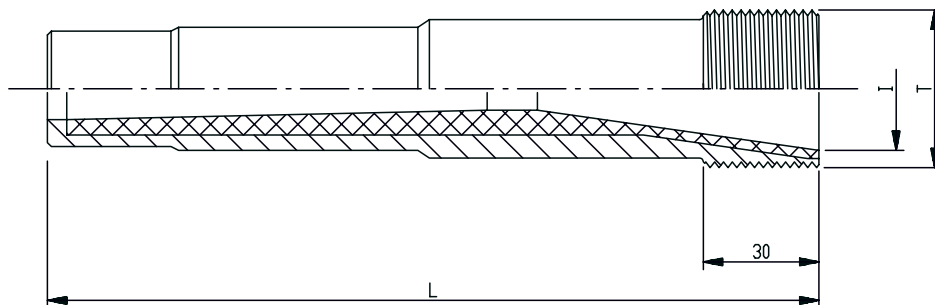
ART.NR.	MODEL	DESCRIPTION
30550	SPB - 19	ADJUSTABLE CENTERING CARRIAGE FOR SPINNERBLAST
Spare parts for SPINNERBLAST carriage:		
1) 30590	SPB - 19 /3	Carriage collar
2) 30560	SPB - 19 /1	Carriage wheel
3) 30570	SPB - 19 /1-1	Arms with wheels
4) 30580		Set of centering legs (24 pieces)
5) 30600	SPB - 19 /12	Centering leg 12 cm (6 required) For Pipe ID 8" - 10" (204 - 254 mm)
6) 30610	SPB - 19 /19	Centering leg 19 cm (6 required) For Pipe ID 10" - 15" (254 - 381 mm)
7) 30620	SPB - 19 /29	Centering leg 29 cm (6 required) For Pipe ID 15" - 23" (381 - 584 mm)
8) 30630	SPB - 19 /46	Centering leg 46 cm (6 required) For Pipe ID 23" - 35" (584 - 915 mm)
9) 30631		Collar locking screw





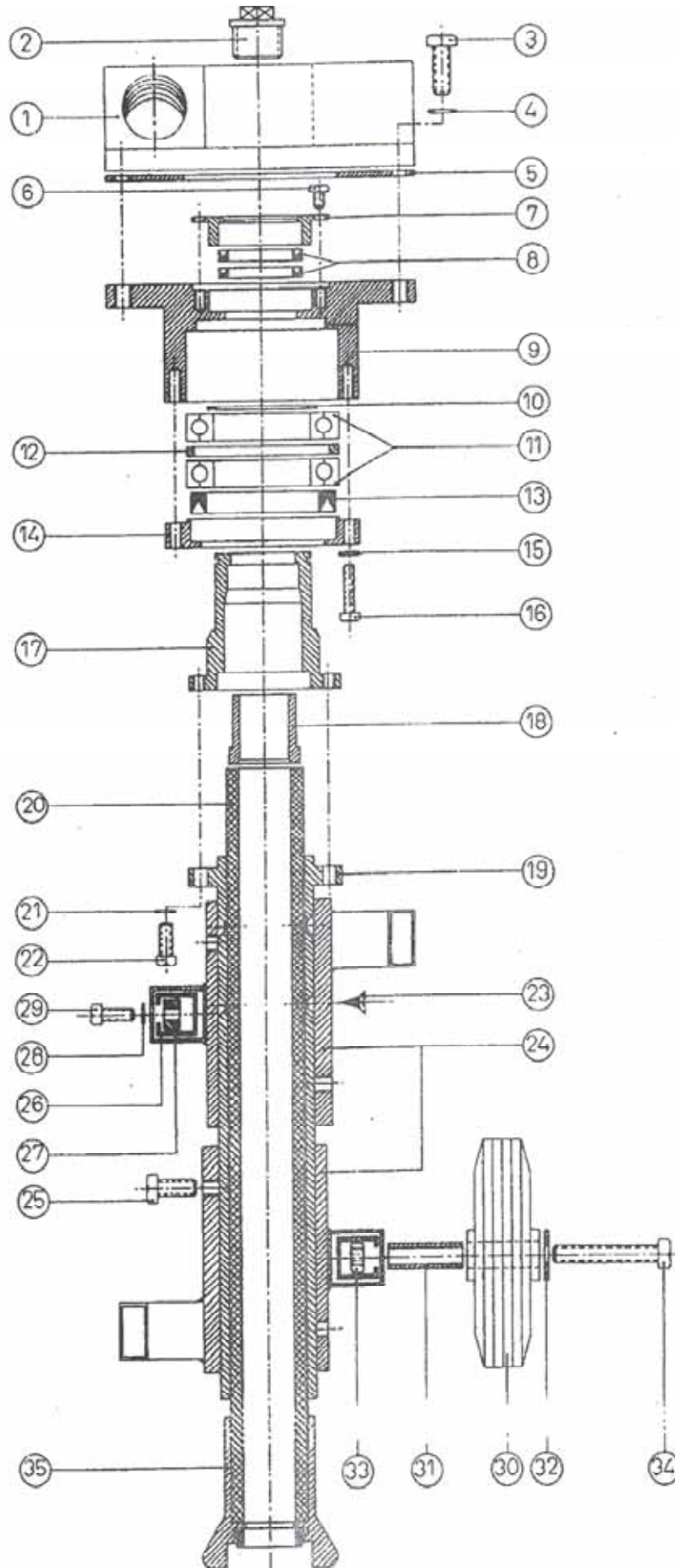
JUMBO PIPE BLASTER

ART.NR.	MODEL	DESCRIPTION
JUMBO PIPE BLASTER FOR PIPES 35" TO 63" (890 - 1600 mm) I.D.		
34000	JPB - I	JUMBO PIPE BLASTER, COMPLETE (excl. nozzles)
34100	JPB - C	JUMBO PIPE BLASTER SPARE PARTS KIT: containing * marked parts below in quantities shown ()
1) 34001	JPB - 1	Nozzle head
2) 34002	JPB - 2	Pipe plug
3) 34003	JPB - 3	Bolt M10 x 30
4) 34004	JPB - 4	Washer
5) 34005	JPB - 5	Gasket
6) 34006	JPB - 6	Bolt M6 x 10
7) 34007	JPB - 7	Adaptor seal
8) 34008	JPB - 8	* Bearing seal (2)
9) 34009	JPB - 9	Housing
10) 34010	JPB - 10	* Lock ring (1)
11) 34011	JPB - 11	* Bearing (2)
12) 34012	JPB - 12	Distance ring
13) 34013	JPB - 13	* Bearing seal (1)
14) 34014	JPB - 14	Rear end plate
15) 34015	JPB - 15	Washer M6
16) 34016	JPB - 16	Bolt M6 x 30
17) 34017	JPB - 17	Bearing housing
18) 34018	JPB - 18	* Bushing (1)
19) 34019	JPB - 19	Tube
20) 34020	JPB - 20	* Hose (1)
21) 34021	JPB - 21	Washer M8
22) 34022	JPB - 22	Bolt M8 x 20
23) 34023	JPB - 23	* Screw (1)
24) 34024	JPB - 24	Carriage collar
25) 34025	JPB - 25	Bolt M10 x 25
26) 34026	JPB - 26	Centering leg
27) 34027	JPB - 27	Clamp
28) 34028	JPB - 28	Washer M8
29) 34029	JPB - 29	Bolt M8 x 20
30) 34030	JPB - 30	Wheel
31) 34031	JPB - 31	Guide bushing
32) 34032	JPB - 32	Washer M10
33) 34033	JPB - 33	Bolt M10
34) 34034	JPB - 34	Bolt M10 x 65
35) 34035	JPB - 35	Centering carriage, complete
Nozzles with fine thread T = 41 mm [1¼" 11½ TPI NPSM]		
20070	ATSDX - 4	Nozzle TC – 6,5 mm orifice, 135 mm long (2)
20080	ATSDX - 5	Nozzle TC – 8,0 mm orifice, 145 mm long (2)
20090	ATSDX - 6	Nozzle TC – 9,5 mm orifice, 170 mm long (2)





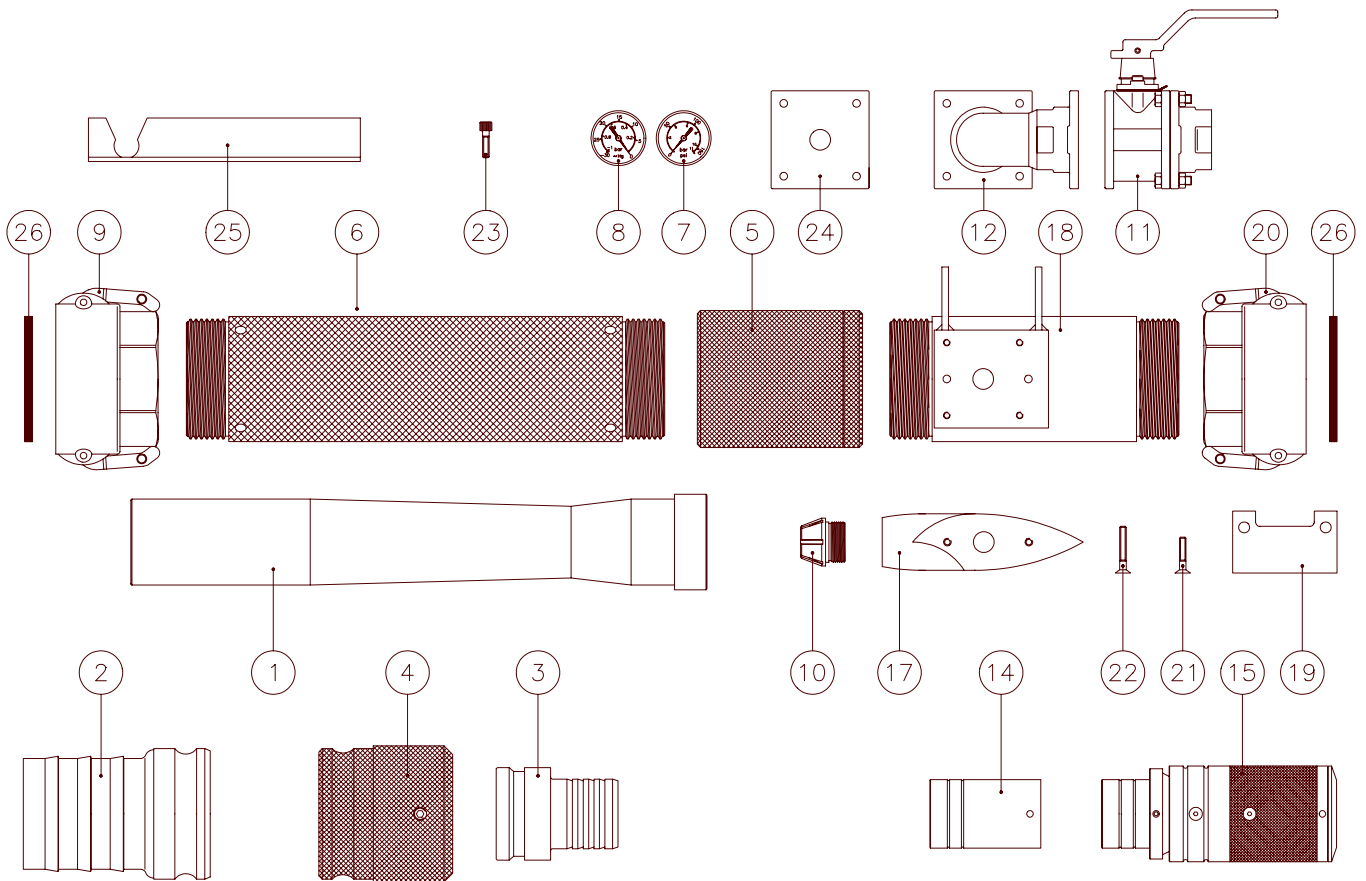
JUMBO PIPE BLASTER





AIRVAC MARK III PORTABLE VACUUM RECOVERY SYSTEM

ART.NR.	MODEL	DESCRIPTION
30640	AIRVAC - MARK III	PORTABLE VACUUM RECOVERY SYSTEM COMPLETE Weight 27 kgs
1) 30650	AV - 1	Venturi tube
2) 30660	AV - 2	Discharge hose coupling
3) 30670	AV - 3	Suction hose coupling insert
4) 30680	AV - 4	Suction hose coupling
5) 30690	AV - 5	Mixing chamber
6) 30700	AV - 6	Venturi sheath
7) 30710	AV - 7	Pressure gauge
8) 30720	AV - 8	Vacuum gauge
9) 30730	AV - 9	Discharge coupler
10) 30740	AV - 10	Nozzle
11) 30750	AV - 11	Air valve
12) 30760	AV - 12	Manifold assembly
13) 30770	AV - 13	Pump assembly (body with aerofoil fitted)
14) 30780	AV - 14	Restrictor
15) 30790	AV - 15	Gulper (adjustable)
17) 30810	AV - 17	Aerofoil
18) 30820	AV - 18	Body
19) 30830	AV - 19	Leg bracket
20) 30840	AV - 20	Body coupler
21) 30850	AV - 21	Location screws - short (2 per set)
22) 30860	AV - 22	Location screws - long (2 per set)
23) 30870	AV - 23	Manifold screws (4 per set)
24) 30880	AV - 24	Manifold gasket
25) 30890	AV - 25	Nozzle key
26) 30900	AV - 26	Seal ring (Kamlock)
21830	2½" HOSE	2½" antistatic flexible plastic hose
21840	4" HOSE	4" antistatic flexible plastic hose





EDUCTOMATIC

ART.NR.	MODEL	DESCRIPTION
30908	AE - 2000	EDUCTOMATIC - USA MODEL Includes attachment set with master adaptor Excluding brushes, hose and plywood carry case
30909	AE - 2000	EDUCTOMATIC Includes attachment set with round brush and angle brush, master adaptor, 2" discharge hose
30910	AE - 2000	EDUCTOMATIC Includes attachment set with round brush and angle brush, master adaptor, 2" discharge hose and a plywood carry case
SEPARATE ATTACHMENTS		
A) 30920	AE - 2090	Edge attachment
B) 30930	AE - 2091	Serrated attachment
30931	AE - 2091 -1	Round brush (not shown)
C) 30940	AE - 2092	Master adaptor
D) 30950	AE - 2093	Angle attachment
30951	AE - 2093 -1	Angle brush (not shown)
E) 30960	AE - 2094	Flat lip attachment
F) 30970	AE - 2095	Blank End
SPARE PARTS FOR EDUCTOMATIC		
1) 30980	AE - 2001	Blast head
2) 30990	AE - 2002	Standard adaptor
3) 31000	AE - 2004	³ / ₈ " nozzle - Tungsten Carbide
4) 31020	AE - 2006	Blast jet
5) 31030	AE - 2007	Jet gasket
6) 31031	AE - 2008	Valve assembly
7) 31040	AE - 2005	Thumb screw
8) 31050	AE - 2011	Blast head nipple ³ / ₈ " x 4 ¹ / ₄ "
9) 31060	AE - 2012	Swivel connector
10) 31070	AE - 2013	O-ring
11) 31080	AE - 2014	Main body
12) 31090	AE - 2016	Abrasive hose
13) 31100	AE - 2018	Thumb screw
14) 31105	AE - 2019	▲ Baffle washer
15) 31110	AE - 2020	Hose clamp
16) 31120	AE - 2021	Air hose
17) 31125	AE - 2021 -1	Spring for air hose
18) 31130	AE - 2022	Suction jet
19) 31140	AE - 2068 -1	Screen assembly
20) 31150	AE - 2023	▲ Baffle (plastic only)
21) 33440	AE - 2027	Locking device
22) 31160	AE - 2068	▲ Screen
23) 31170	AE - 2030	▲ Screen gasket
24) 31180	AE - 2069	Abrasive container with lock and hose
25) 31190	AE - 2035	Dust bag
26) 31200	AE - 2032 -1	Ejector pipe
27) 31201	AE - 2032 -2	Dust bag holder
28) 31210	AE - 2042	Valve body
29) 31220	AE - 2036	O-ring
30) 31221	AE - 2038	Screw
31) 31222	AE - 2039	Washer
32) 31228	AE - 2043	Handle pin
33) 31229	AE - 2044	Snap ring
34) 31230	AE - 2045	○ Valve bushing
35) 31240	AE - 2046	○ Valve bushing gasket
36) 31250	AE - 2047	○ O-ring (neoprene)

▲ Only available in Screen assembly AE-2068-1, art.nr. 31140.

○ Only available in Valve assembly AE-2008, art.nr. 31031.

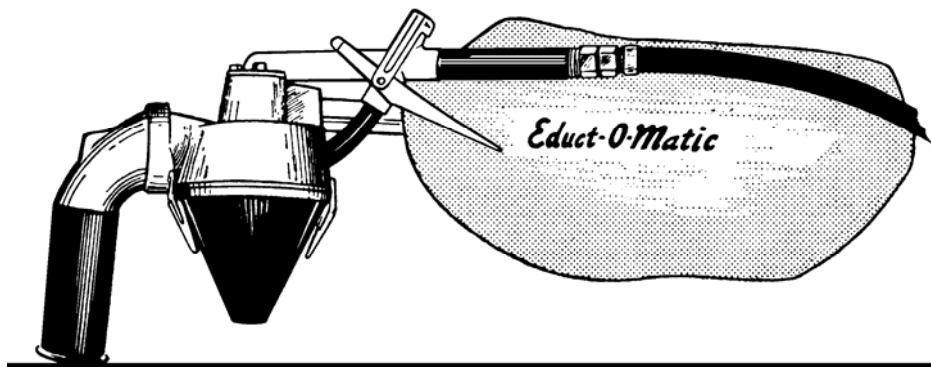


EDUCTOMATIC

ART.NR.	MODEL	DESCRIPTION
37) 31260	AE - 2048	○ Washer
38) 31270	AE - 2049	○ Snap ring
39) 31280	AE - 2050	○ Primary valve spring
40) 31290	AE - 2051	○ Valve stem
41) 31300	AE - 2052	○ Primary valve seat
42) 31310	AE - 2053	○ Guide washer brass
43) 31320	AE - 2054	○ Hex nut
44) 31330	AE - 2055	○ Washer brass
45) 31340	AE - 2056	○ Second valve spring
46) 31350	AE - 2057	○ Second valve seat
47) 31370	AE - 2059	○ Washer - brass
48) 31380	AE - 2060	○ Snap ring
49) 31400	AE - 2061	○ Pipe nipple
50) 31410	AE - 2083	○ Rubber tube
51) 31420	AE - 2065	○ Valve handle assembly
52) 31430	AE - 2070	○ Swivel nut assembly
53) 21629	KIG - 12	○ Coupling with inside thread
54) 21640	CQG - 0	○ Gasket
55) 21684	SKG - 19	○ Coupling with hose barb, 3/4" ID
56) 21682	SKG - 13	○ Coupling with hose barb, 1/2" ID
57) 21723	HS - 32	○ Hose clamp
58) 31470	AE - 2120	○ Plywood carry case (not shown)

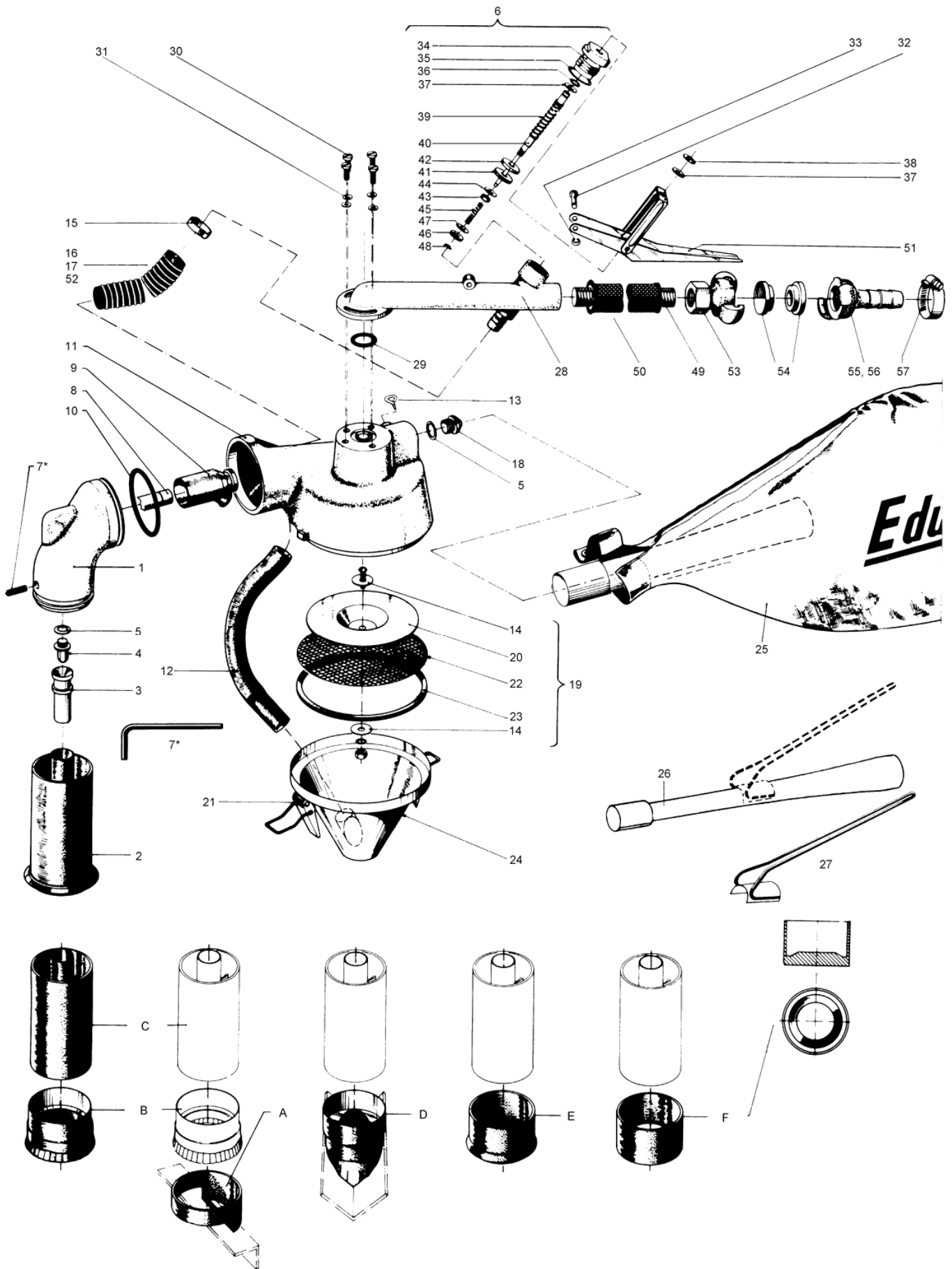
▲ Only available in Screen assembly AE-2068-1, art.nr. 31140.

○ Only available in Valve assembly AE-2008, art.nr. 31031.





EDUCTOMATIC





AIRTRANS

ART.NR.	MODEL	DESCRIPTION
32000	Airtrans /S	AIRTRANS, SINGLE EXECUTION Recovery unit for spent abrasives. Suction side 2" - Discharge side 3"
32005	Airtrans /D	AIRTRANS, DOUBLE EXECUTION Recovery unit for spent abrasives. Suction side 2" - Discharge side 3"
SPARES AND ACCESSORIES		
32100		Manifold kit (Combines two Airtrans units)
32105		Discharge Hose Attachment (for 3" discharge hose)
32150		Small Brush Tool
32155		Brush Floor Tool with Wand
32200		Small Gulper Tool
32205		Floor Gulper with Wand
32210		Crevice Tool
32215		Short 2" Carburetor Pick-up Probe
32220		Long 2" Carburetor Pick-up Probe
32225		3" Carburetor Pick-up Probe
32235		Leg Assembly (not shown)
1) 32240		Nozzle Holder Casting
2) 32245		Venturi Body Casting
3) 32250		Replacement Liner
4) 32255		Nozzle Tip with Ceramic Cover (extra long wear)
32260		Nozzle Tip with Rubber Cover
5) 32265		Pressure Gauge
6) 32270		Gauge Mount
7) 32275		Ball Valve
32280		Nozzle Tip Cover - Rubber (pack of 5)
8) 32340		Camlock set 2"
AIRTRANS VACUUM HOSE		
32310		2" Airtrans hose (p/mtr)
32320		3" Airtrans hose (p/mtr)

