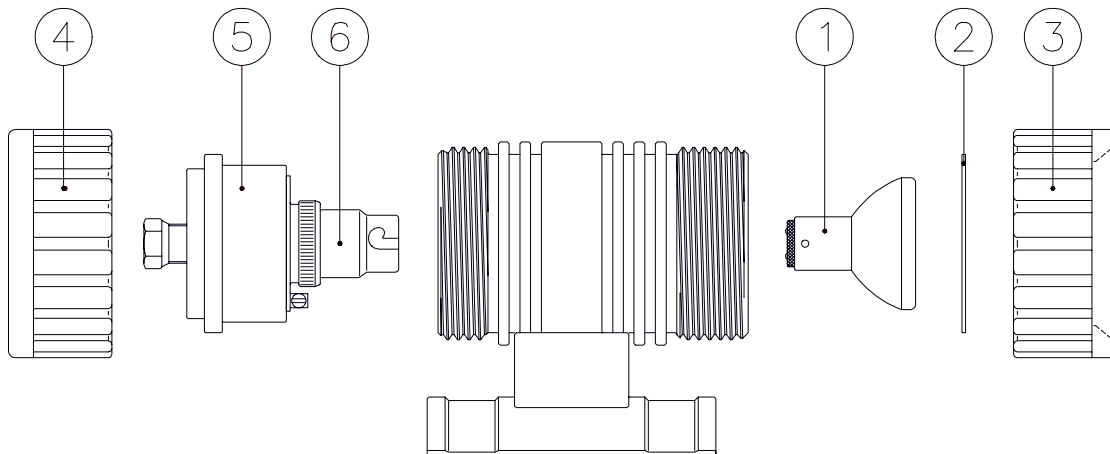




BLAST LIGHT 12 VOLT - 20 WATT

ART.NR.	MODEL	DESCRIPTION
50010	ABBL-20	HALOGEN BLAST LIGHT, COMPLETE (20 Watt, including 12 V halogen bulb and 75 cm cable, excluding connector)
1) 50020		Replacement bulb, 12 Volt 20 Watt - halogen
2) 50030		Replacement lenses (per 100)
3) 50040		Front end cap
4) 50050		Rear end cap
5) 50060		Lamp holder (complete)
6) 50070		Brass bulb holder only
8) 50075	*	4 Outlet Transformer, 120 VA, 1 x 16A 220 Volt Input, 4 x CEE 16A (F) 12 Volt Output Full rubber housing, 3 meter rubber cable with connector
9) 50104		CEE-Connector, 2 poles, 16A (Male)
10) 50106		CEE-Connector, 2 poles, 16A (Female)
11) 50095		Cable (2 x 0.75 mm ²) Black Rubber RWPk H05RN-F
50105		Cable (2 x 1.50 mm ²) Black Rubber RWPk H05RN-F
50120		Cable (2 x 1.50 mm ²) Neoprene NWPk H07RN-F



* Other executions available on request.

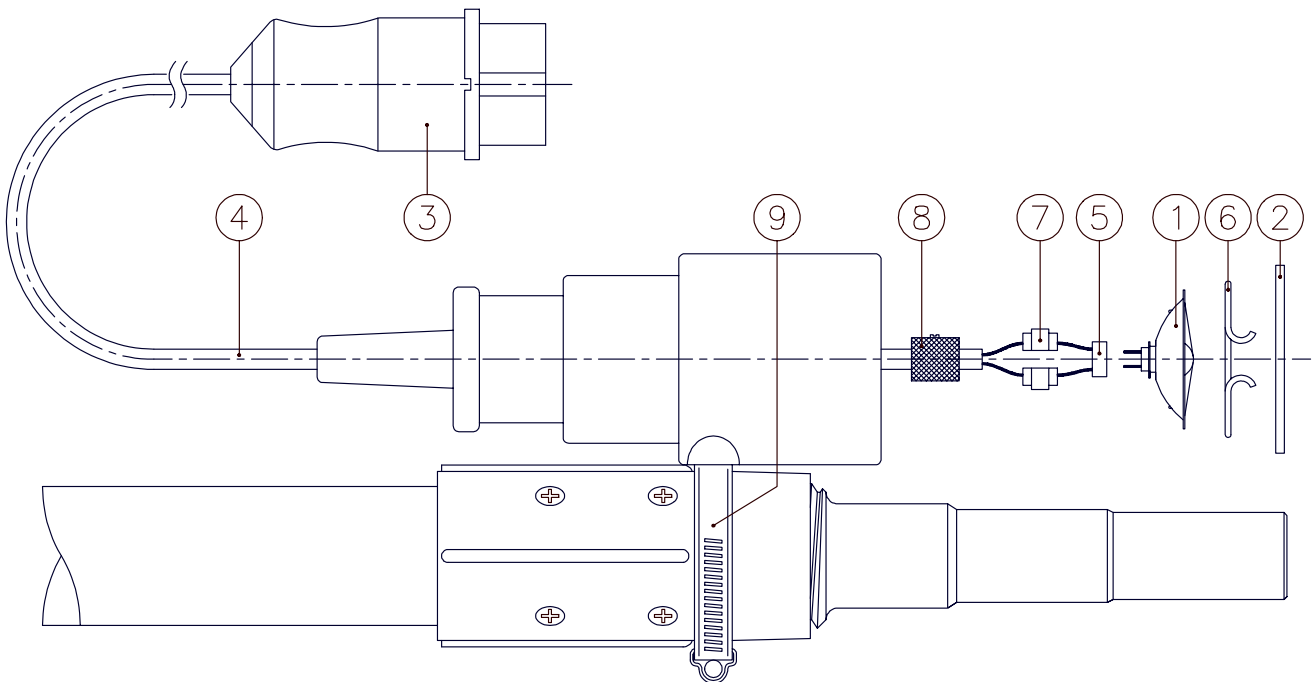


BLAST LIGHT 12 AND 24 VOLT - 20 WATT

ART.NR.	MODEL	DESCRIPTION
12 VOLT AND 24 VOLT HALOGEN BLAST LIGHTS POWER - UP TO 100 WATT		
50108	ABKR -12/20	BLAST LIGHT 12 Volt / 20 Watt Incl. 12 Volt halogen bulb, 5 m cable (2 x 0.75 mm ²) and CEE-Connector (Male)
50101	ABKR -24/20	BLAST LIGHT 24 Volt / 20 Watt Incl. 24 Volt halogen bulb, 5 m cable (2 x 0.75 mm ²) and CEE-Connector (Male)

SPARE PARTS FOR ABKR-12/20 AND ABKR-24/20

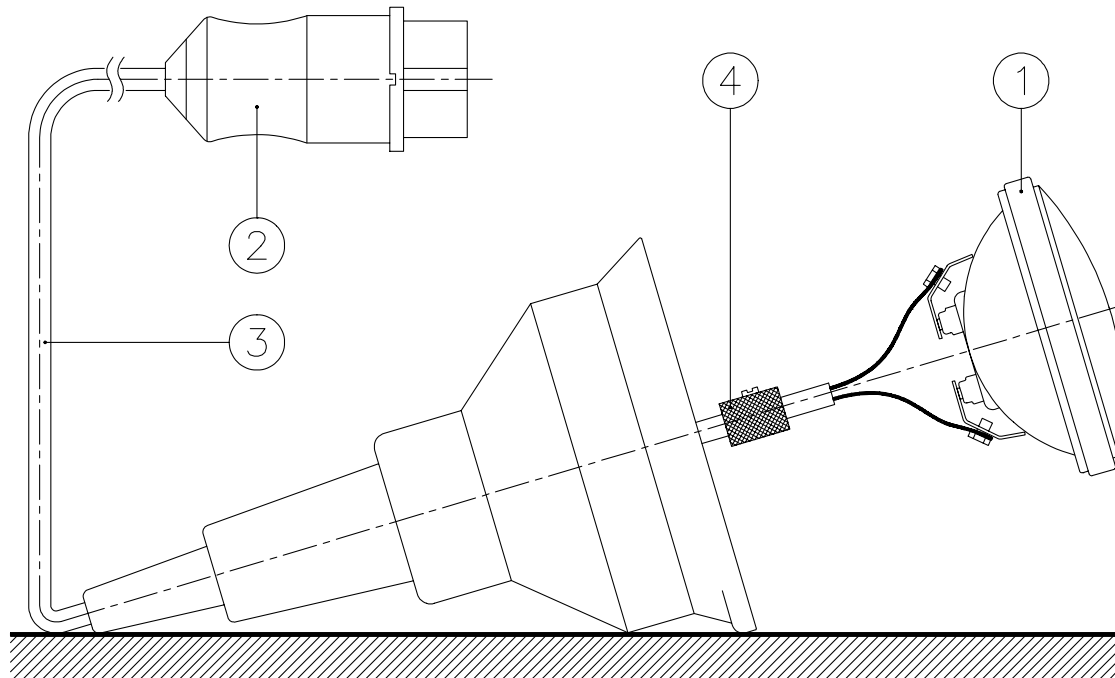
1)	50107	Halogen bulb 12 Volt / 20 Watt
	50102	Halogen bulb 24 Volt / 20 Watt
2)	50103	Lens
3)	50104	CEE-Connector, 2 poles, 16A (Male)
4)	50095	Cable (2 x 0.75 mm ²) Black Rubber
	50105	Cable (2 x 1.50 mm ²) Black Rubber
	50120	Cable (2 x 1.50 mm ²) Neoprene
5)	50121	Fitting
6)	50122	Spring clip
7)	50123	Cable connector
8)	50124	Rubber plug
9)	50125	Clamp
10)	50126	Bolt (not shown)





BLAST LIGHTS AND TRANSFORMERS

ART.NR.	MODEL	DESCRIPTION		
50110	HALO -24/100 -SW	BLAST LIGHT 24 Volt / 100 Watt with ON/OFF-Switch Full Rubber housing with reflector. Incl. halogen bulb, 5 m cable (2 x 1.5 mm ²) and CEE- Connector (M) * Also available in 12 Volt and 42 Volt execution		
50200	HALO -24/100	BLAST LIGHT 24 Volt / 100 Watt Full Rubber housing with reflector. Incl. halogen bulb, 5 m cable (2 x 1.5 mm ²) and CEE- Connector (M)		
1) 50111		Bulb 24 Volt / 100 Watt		
2) 50104		CEE-Connector 24V / 16A (M)		
3) 50120		Cable (2 x 1.50 mm ²)	Neoprene	NWPK H07RN-F
50130		Cable (2 x 2.50 mm ²)	Neoprene	NWPK H07RN-F
4) 50127		Rubber plug		



*

TRANSFORMERS FOR 24V BLAST- AND FLOOD LIGHTS
Incl. 3 m (2 x 1.5 mm²) Grounded cable and 24 Volt 16A CEE-Output (Female) - Full rubber housing
Thermal Safeguard against overload.

50115	TRANS-MINI	220V / 24V	120VA	1 x 24 Volt / 16A CEE-output (F)
50116	TRANS-MIDI	220V / 24V	225VA	2 x 24 Volt / 16A CEE-output (F)
50301	TRANS-I/1	220V / 24V	500VA	1 x 24 Volt / 16A CEE-output (F)
50302	TRANS-I/2	220V / 24V	500VA	2 x 24 Volt / 16A CEE-output (F)
50303	TRANS-I/3	220V / 24V	500VA	3 x 24 Volt / 16A CEE-output (F)
50304	TRANS-I/4	220V / 24V	500VA	4 x 24 Volt / 16A CEE-output (F)
50305	TRANS-II/2	220V / 24V	1000VA	2 x 24 Volt / 16A CEE-output (F)
50306	TRANS-II/3	220V / 24V	1000VA	3 x 24 Volt / 16A CEE-output (F)
50307	TRANS-II/4	220V / 24V	1000VA	4 x 24 Volt / 16A CEE-output (F)

* Other executions available on request



HALOGEN FLOOD LIGHTS 12, 24, 42 AND 220 VOLT – UP TO 500 WATT

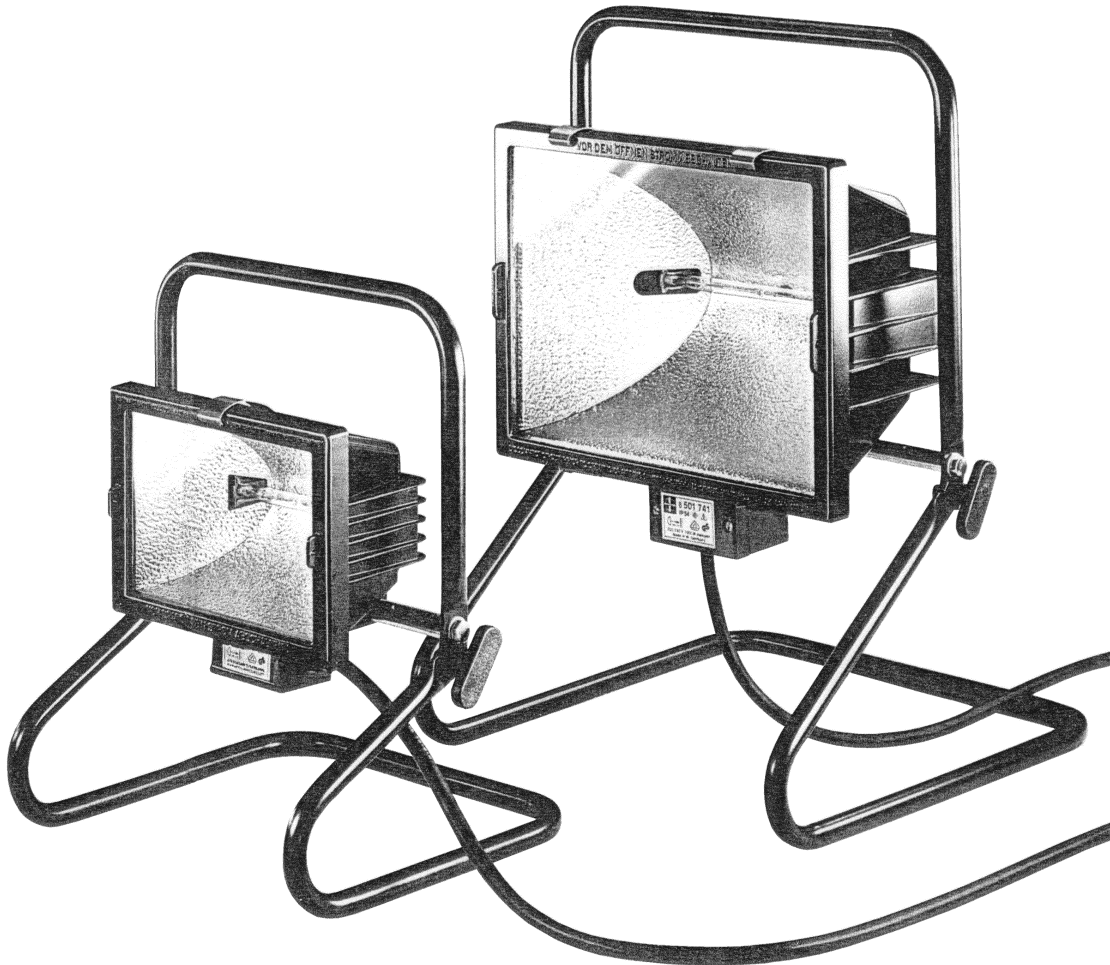
ART.NR.	MODEL	DESCRIPTION
---------	-------	-------------

AIRBLAST Floodlights are executed according to IP 54, Protection class I, Aluminium press cast housing, Safety glass, synthetic coated frame

50170	AFL-220/500	FLOOD LIGHT 220 Volt - 500 Watt - HALOGEN includes halogen bulb of 500 Watt, 4 meters of rubber cable (3 x 1.50 mm ²), connector and frame.
50180	AFL-220/1000	FLOOD LIGHT 220 Volt - 1000 Watt - HALOGEN includes halogen bulb of 1000 Watt, 4 meters of rubber cable (3 x 1.50 mm ²), connector and frame.

SPARE PARTS:

50181	Replacement bulb Halogen 500 Watt
50182	Replacement bulb Halogen 1000 Watt
50183	Safety glass - AFL-220 / 500
50184	Safety glass - AFL-220 / 1000
50185	Lamp holder - AFL-220 / 500
50186	Lamp holder - AFL-220 / 1000
50187	Frame - AFL-220 / 500
50188	Frame - AFL-220 / 1000
50189	Wire Mesh Screen - AFL-220 / 500
50190	Wire Mesh Screen - AFL-220 / 1000

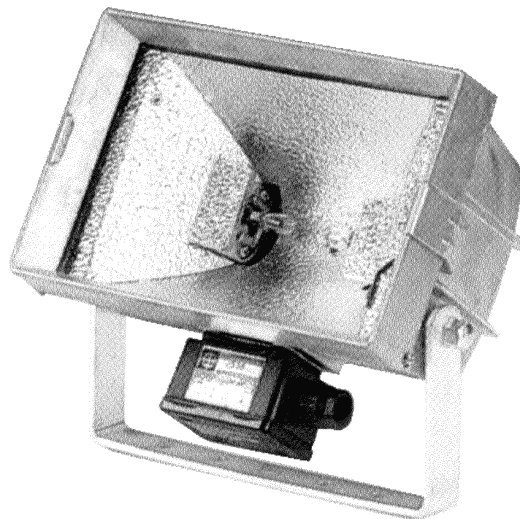




HALOGEN FLOOD LIGHTS

12, 24, 42 AND 220 VOLT – UP TO 500 WATT

ART.NR.	MODEL	DESCRIPTION
50240		<p>FLOOD LIGHT - LOW VOLTAGE EXECUTION Protection according to IP 54, Protection class III, Aluminium press cast housing, Safety glass. Heavy execution Exclusive Halogen bulb. Fitting for: Halogen bulb 12 Volt - 50 Watt (2x) Halogen bulb 24 Volt - 150 Watt (2x)</p>
50245		<p>FLOOD LIGHT Protection according to IP 54, Protection class I, Aluminium press cast housing, Safety glass. Heavy execution Exclusive Halogen bulb. Fitting for: Halogen bulb 220 Volt - Up to 500 Watt Halogen bulb 42 Volt - Up to 500 Watt</p>
ACCESSORIES AND SPARE PARTS		
50151		Halogen bulb - 12 Volt / 50 Watt (2 Pieces required)
50152		Halogen bulb - 24 Volt / 150 Watt (2 Pieces required)
50153		Halogen bulb - 42 Volt / 500 Watt
50154		Halogen bulb - 220 Volt / 300 Watt
50181		Halogen bulb - 220 Volt / 500 Watt
50250		Wire mesh screen
50120		Cable (2 x 1.50 mm ²) Neoprene NWPK H07RN-F
50130		Cable (2 x 2.50 mm ²) Neoprene NWPK H07RN-F
50104		CEE-Connector 24 Volt 16A - Male
50140		CEE-Connector 42 Volt 16A - Male
50255		Pole fixture - up to 60 mm diameter
50260		Pole fixture - up to 100 mm diameter
50265		Tripod, executed in galvanized steel, height adjustable from 1.50 up to 3.50 meters. M10 thread on top
50270		Tripod, executed in galvanized steel, height adjustable from 0.95 up to 1.40 meters. M10 thread on top



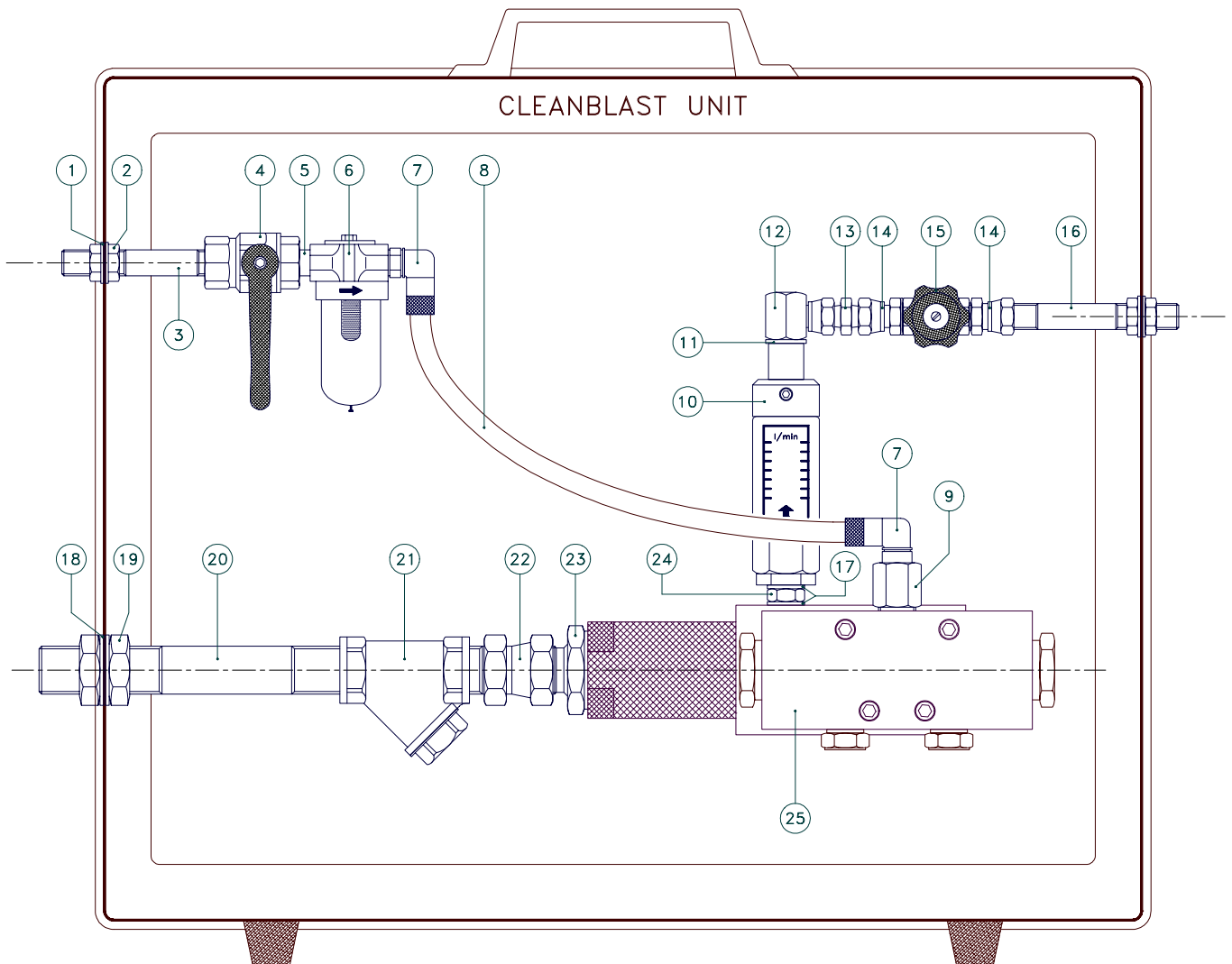


CLEANBLAST WATER INJECTION SYSTEM

ART.NR.	MODEL	DESCRIPTION
50755	CLEANBLAST	CLEANBLAST, COMPLETE Water injection system for variable pressure wetblasting, incl. nozzle holder assembly and 15 m high pressure hose.
50341		NOZZLE HOLDER ASSEMBLY, see Page 8 Spare parts for CLEANBLAST:
1) 50760		Washer
2) 50761		Lock Nut 1/4"
3) 50762		Pipe 1/4" MM
4) 50763		Ball Valve 1/4"
5) 50764		Hex Nipple 1/4"
6) 50765		Air Filter
7) 50766		Elbow Swivel 90° 1/4" x 8 mm
8) 50767		Plastic Tube 8 mm OD
9) 50768		Adapter 1/4" Female x Male
10) 50769		Flow Meter 1 - 40 Litres / minute
11) 50770		Hex nipple 1/4"
12) 50771		Elbow Swivel 90° 1/4"
13) 50772		Hex nipple 1/4"
14) 50773		Swivel union 1/4"
15) 50774		Needle valve 1/4" High Pressure water control
16) 50775		Pipe 1/4" MM
17) 50776		Washer
18) 50777		Washer 3/4"
19) 50778		Lock nut 3/4"
20) 50779		Pipe 3/4" MM
21) 50780		Strainer 3/4"
22) 50781		Swivel Union 3/4"
23) 50782		Adapter
24) 50783		Hex nipple
25) 50784		Pneumatic pump, Ratio 2.5 : 1



CLEANBLAST WATER INJECTION SYSTEM

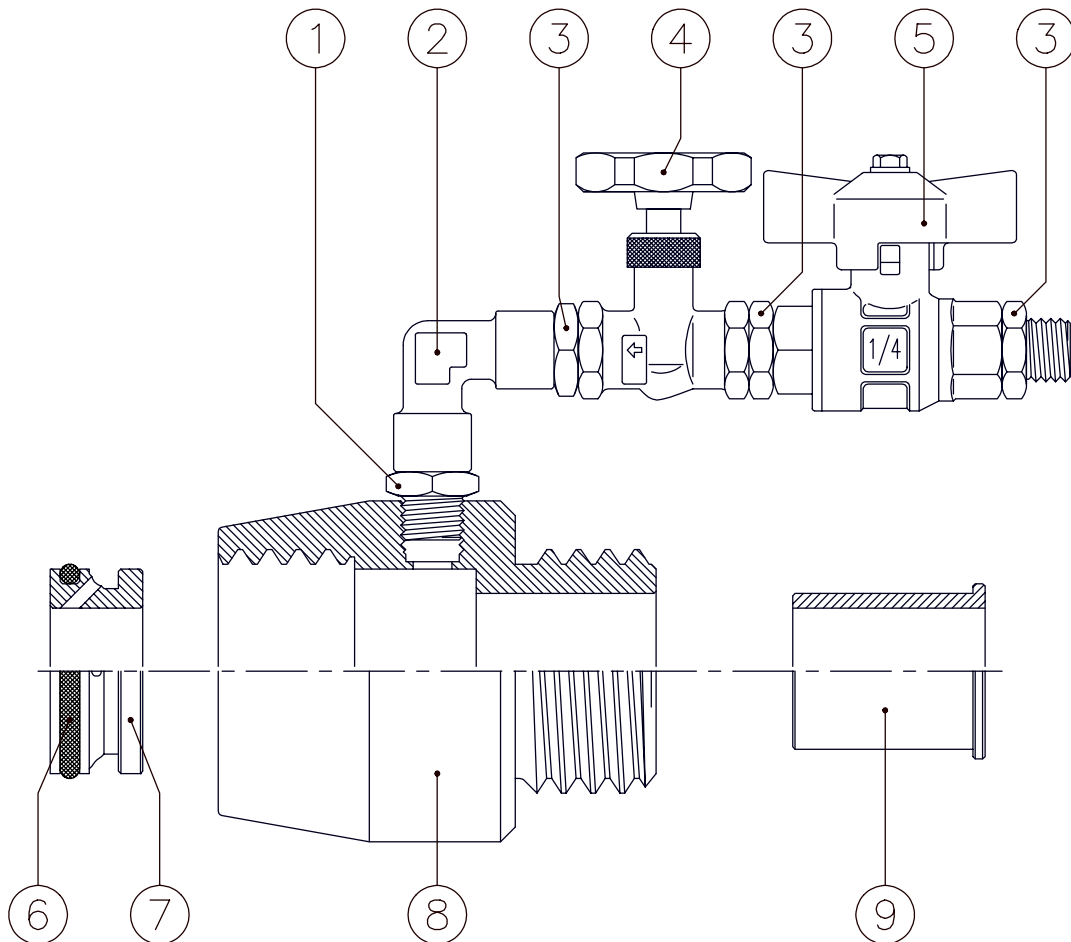




NOZZLE HOLDER ASSEMBLY FOR CLEANBLAST

ART.NR.	MODEL	DESCRIPTION
50341		NOZZLE HOLDER ASSEMBLY, complete
		SPARE PARTS
		NOZZLE HOLDER ASSEMBLY
1) 50725		Adaptor Nipple (1)
2) 50731		Elbow 1/4" FF (1)
3) 50743		Hex Nipple 1/4" (3)
4) 50741		Water Flow Regulator (1)
5) 50742		Ball Valve 1/4" (1)
6) 50691		Rubber O-Ring (1)
7) 50701		Water Nozzle Insert (1)
8) 50721		Body (1)
9) 50711	***	Rear Insert (1)
10) 77025		15 mtrs. High Pressure hose 1/4" incl. couplings (not shown)

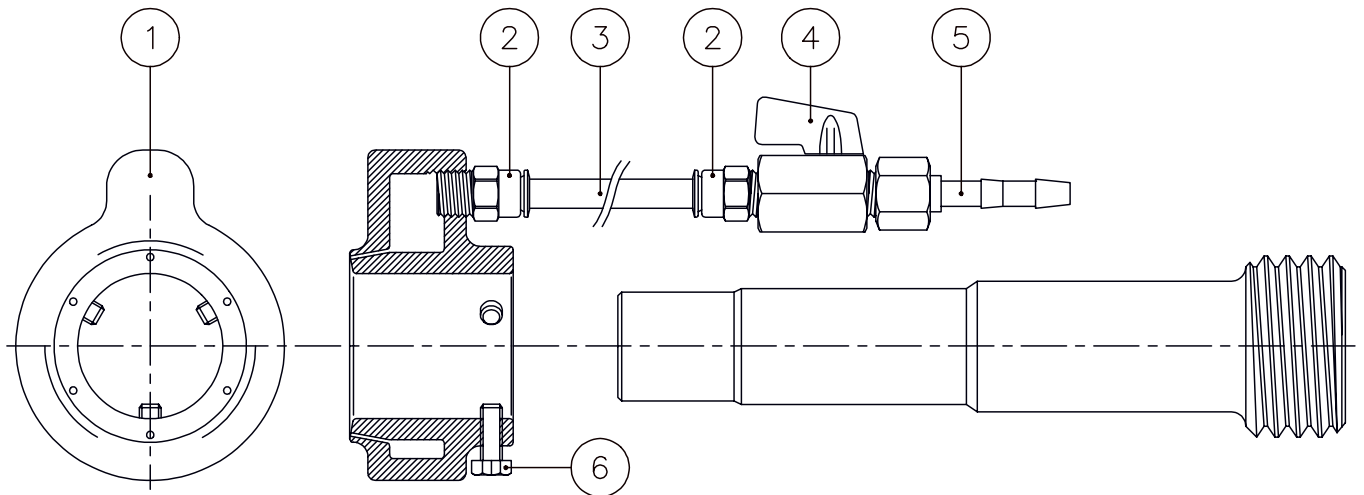
*** Optional, not included





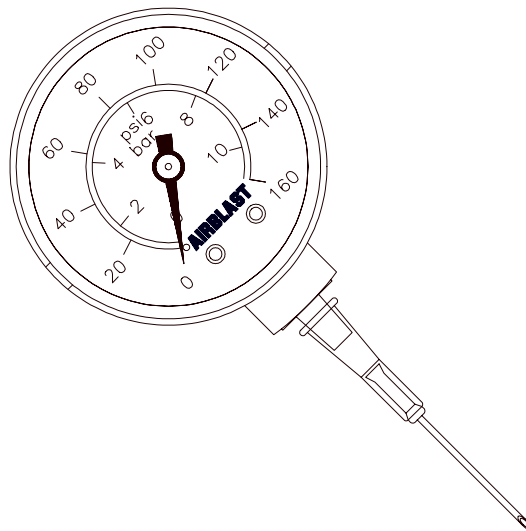
AQUABLAST AND HYPODERMIC NEEDLE GAUGE

ART.NR.	MODEL	DESCRIPTION
50310	AQUABLAST	AQUABLAST - WETBLAST ATTACHMENT, COMPLETE Includes water jacket, shut-off valve, flexible hose and petcock
50311	AQUABLAST /B	AQUABLAST - WETBLAST ATTACHMENT, BARE Exclusive of petcock and hose
1) 50315		Water jacket (1)
2) 50316		Coupling, 1/4" x 8 mm (2)
3) 50317		Water hose (1)
4) 11520		Ball valve 1/4" (1)
5) 21789		Hose barb incl. nut (1)
6) 50318		Bolt (3)



Maximum outside nozzle diameter: 40 mm

50330	PRG	HYPDERMIC NEEDLE GAUGE, COMPLETE Nozzle pressure gauge kit
50331	PRG - N	Needles for gauge (5 per box)





AFTERCOOLERS

ART.NR.	MODEL	DESCRIPTION
---------	-------	-------------

AIRBLAST PNEUMATIC AFTER COOLERS

Complete with:

- Moisture separator
- Oiler and moisture separator for pneumatic motor
- Heavy duty transport frame

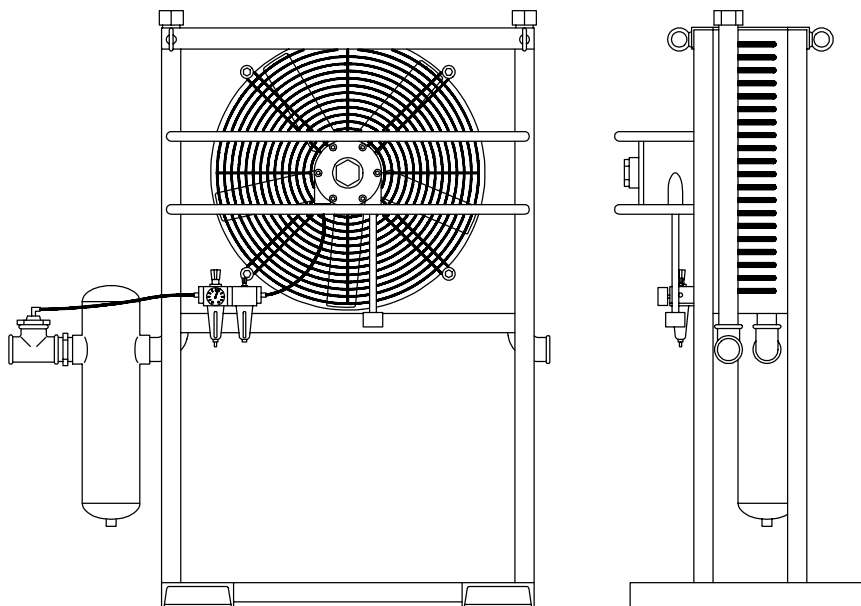
Maximum operating pressure 16 bar

50810	ABAC - 10 /EL	Capacity 1,0	cbm per minute	*
50815	ABAC - 20 /EL	Capacity 2,0	cbm per minute	*
50820	ABAC - 30 /PN	Capacity 3,0	cbm per minute	
50825	ABAC - 40 /PN	Capacity 4,0	cbm per minute	
50830	ABAC - 50 /PN	Capacity 5,0	cbm per minute	
50835	ABAC - 65 /PN	Capacity 6,5	cbm per minute	
50840	ABAC - 80 /PN	Capacity 8,0	cbm per minute	
50845	ABAC - 120 /PN	Capacity 12,0	cbm per minute	
50850	ABAC - 160 /PN	Capacity 16,0	cbm per minute	
50855	ABAC - 200 /PN	Capacity 20,0	cbm per minute	
50860	ABAC - 250 /PN	Capacity 25,0	cbm per minute	
50865	ABAC - 300 /PN	Capacity 30,0	cbm per minute	
50870	ABAC - 400 /PN	Capacity 40,0	cbm per minute	
50875	ABAC - 500 /PN	Capacity 50,0	cbm per minute	
50880	ABAC - 650 /PN	Capacity 65,0	cbm per minute	
50885	ABAC - 750 /PN	Capacity 75,0	cbm per minute	

* Only available in electric execution

Capacities are based upon the following conditions:

Ambient temperature	: 21°C - 35°C
Working pressure	: 8 bar
Rel. humidity	: 60%
Air inlet temp.	: 120°C
Delta T	: 9°C (above ambient temperature)



The above mentioned aftercoolers are also available in electric execution.