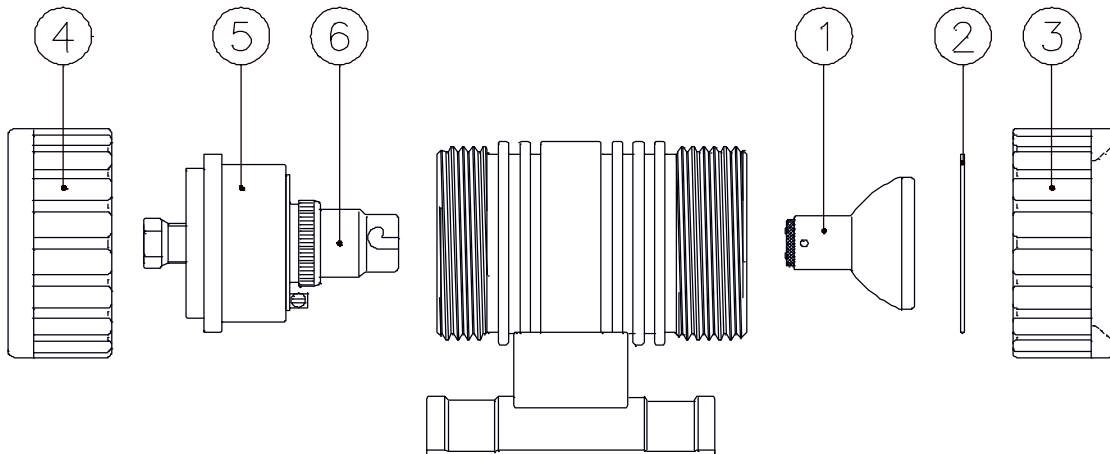




BLAST LIGHT 12 VOLT - 20 WATT

| ART.NR. | MODEL | DESCRIPTION |
|-----------|---------|---|
| 50010 | ABBL-20 | HALOGEN BLAST LIGHT, COMPLETE (20 Watt, including 12 V halogen bulb and 75 cm cable, excluding connector) |
| 1) 50020 | | Replacement bulb, 12 Volt 20 Watt - halogen |
| 2) 50030 | | Replacement lenses (per 100) |
| 3) 50040 | | Front end cap |
| 4) 50050 | | Rear end cap |
| 5) 50060 | | Lamp holder (complete) |
| 6) 50070 | | Brass bulb holder only |
| 8) 50075 | * | 4 Outlet Transformer, 120 VA, 1 x 16A 220 Volt Input, 4 x CEE 16A (F) 12 Volt Output Full rubber housing, 3 meter rubber cable with connector |
| 9) 50104 | | CEE-Connector, 2 poles, 16A (Male) |
| 10) 50106 | | CEE-Connector, 2 poles, 16A (Female) |
| 11) 50095 | | Cable (2 x 0.75 mm ²) Black Rubber RWPk H05RN-F |
| 50105 | | Cable (2 x 1.50 mm ²) Black Rubber RWPk H05RN-F |
| 50120 | | Cable (2 x 1.50 mm ²) Neoprene NWPk H07RN-F |



* Other executions available on request.

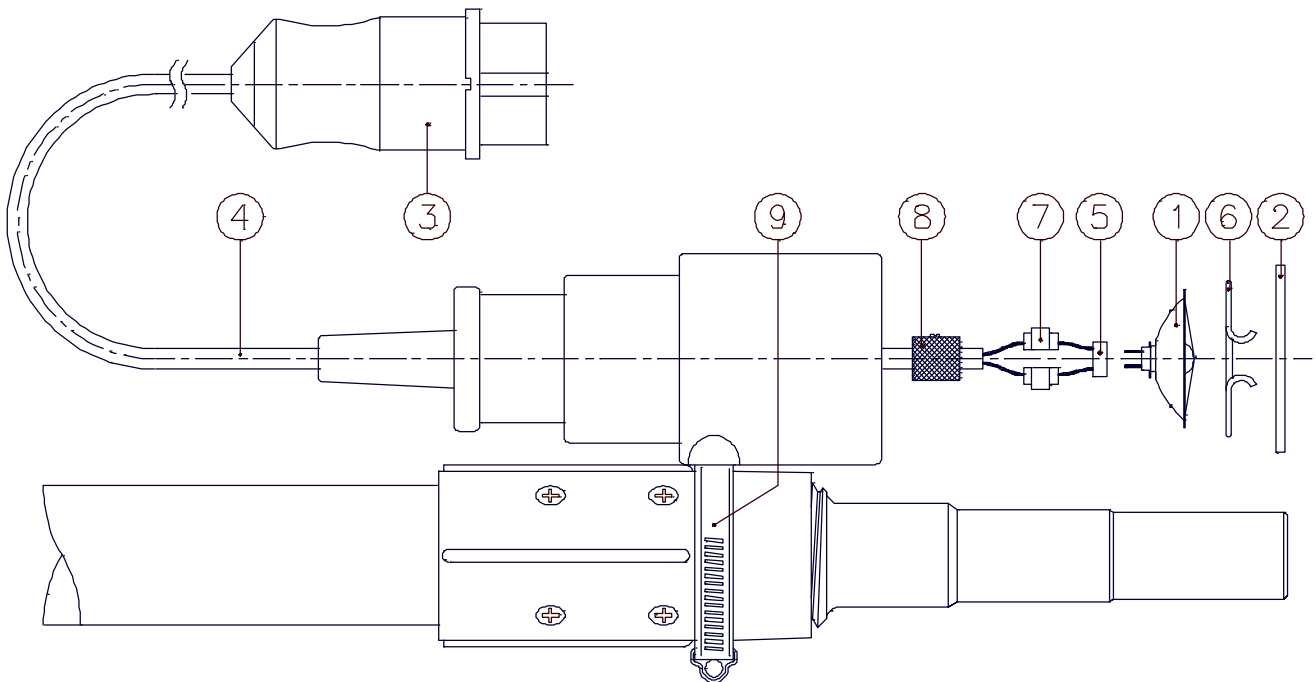


BLAST LIGHT 12 AND 24 VOLT - 20 WATT

| ART.NR. | MODEL | DESCRIPTION |
|--|-------------|--|
| 12 VOLT AND 24 VOLT HALOGEN BLAST LIGHTS POWER - UP TO 100 WATT | | |
| 50108 | ABKR -12/20 | BLAST LIGHT 12 Volt / 20 Watt Incl. 12 Volt halogen bulb, 5 m cable (2 x 0.75 mm ²) and CEE-Connector (Male) |
| 50101 | ABKR -24/20 | BLAST LIGHT 24 Volt / 20 Watt Incl. 24 Volt halogen bulb, 5 m cable (2 x 0.75 mm ²) and CEE-Connector (Male) |

SPARE PARTS FOR ABKR-12/20 AND ABKR-24/20

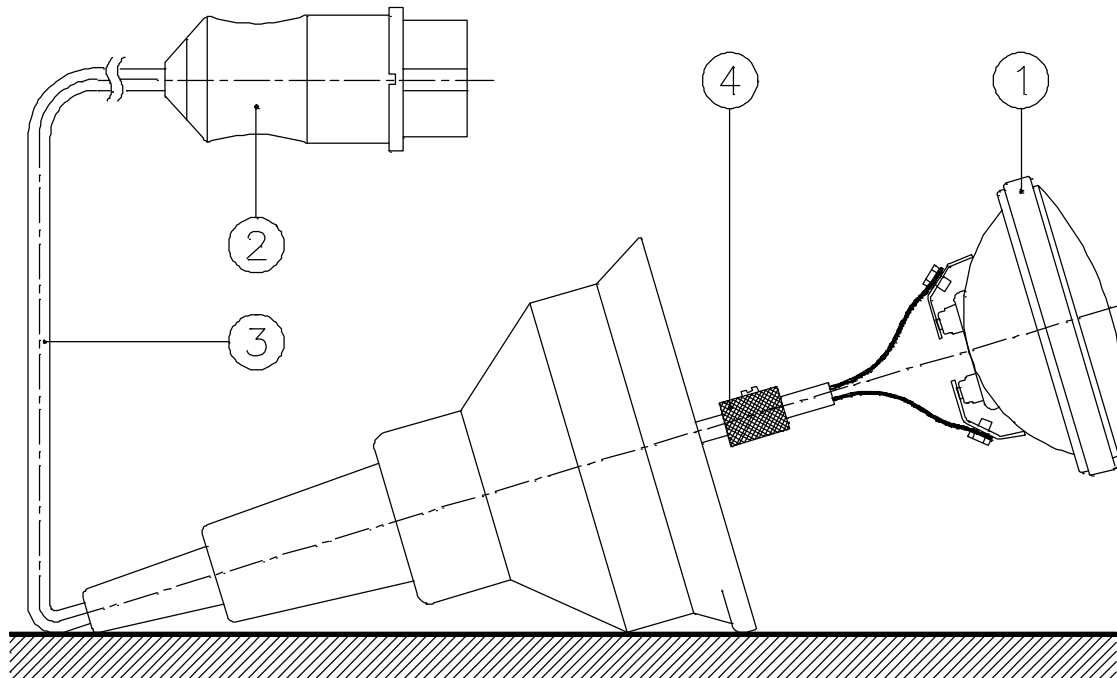
| | | |
|-----|-------|---|
| 1) | 50107 | Halogen bulb 12 Volt / 20 Watt |
| | 50102 | Halogen bulb 24 Volt / 20 Watt |
| 2) | 50103 | Lens |
| 3) | 50104 | CEE-Connector, 2 poles, 16A (Male) |
| 4) | 50095 | Cable (2 x 0.75 mm ²) Black Rubber RWPK H05RN-F |
| | 50105 | Cable (2 x 1.50 mm ²) Black Rubber RWPK H05RN-F |
| | 50120 | Cable (2 x 1.50 mm ²) Neoprene NWPK H07RN-F |
| 5) | 50121 | Fitting |
| 6) | 50122 | Spring clip |
| 7) | 50123 | Cable connector |
| 8) | 50124 | Rubber plug |
| 9) | 50125 | Clamp |
| 10) | 50126 | Bolt (not shown) |





BLAST LIGHTS AND TRANSFORMERS

| ART.NR. | MODEL | DESCRIPTION |
|---|------------------|---|
| 50110 | HALO -24/100 -SW | BLAST LIGHT 24 Volt / 100 Watt with ON/OFF-Switch Full Rubber housing with reflector. Incl. halogen bulb, 5 m cable (2 x 1.5 mm ²) and CEE- Connector (M) * Also available in 12 Volt and 42 Volt execution |
| 50200 | HALO -24/100 | BLAST LIGHT 24 Volt / 100 Watt Full Rubber housing with reflector. Incl. halogen bulb, 5 m cable (2 x 1.5 mm ²) and CEE- Connector (M) |
| 1) 50111 2) 50104 3) 50120 50130 4) 50127 | | SPARE PARTS FOR HALO-24/100 Bulb 24 Volt / 100 Watt CEE-Connector 24V / 16A (M) Cable (2 x 1.50 mm ²) Neoprene NWPK H07RN-F Cable (2 x 2.50 mm ²) Neoprene NWPK H07RN-F Rubber plug |



*

TRANSFORMERS FOR 24V BLAST- AND FLOOD LIGHTS
Incl. 3 m (2 x 1.5 mm²) Grounded cable and 24 Volt 16A CEE-Output (Female) - Full rubber housing
Thermal Safeguard against overload.

| | | | | |
|-------|------------|------------|--------|----------------------------------|
| 50115 | TRANS-MINI | 220V / 24V | 120VA | 1 x 24 Volt / 16A CEE-output (F) |
| 50116 | TRANS-MIDI | 220V / 24V | 225VA | 2 x 24 Volt / 16A CEE-output (F) |
| 50301 | TRANS-I/1 | 220V / 24V | 500VA | 1 x 24 Volt / 16A CEE-output (F) |
| 50302 | TRANS-I/2 | 220V / 24V | 500VA | 2 x 24 Volt / 16A CEE-output (F) |
| 50303 | TRANS-I/3 | 220V / 24V | 500VA | 3 x 24 Volt / 16A CEE-output (F) |
| 50304 | TRANS-I/4 | 220V / 24V | 500VA | 4 x 24 Volt / 16A CEE-output (F) |
| 50305 | TRANS-II/2 | 220V / 24V | 1000VA | 2 x 24 Volt / 16A CEE-output (F) |
| 50306 | TRANS-II/3 | 220V / 24V | 1000VA | 3 x 24 Volt / 16A CEE-output (F) |
| 50307 | TRANS-II/4 | 220V / 24V | 1000VA | 4 x 24 Volt / 16A CEE-output (F) |

* Other executions available on request



HALOGEN FLOOD LIGHTS

12, 24, 42 AND 220 VOLT – UP TO 500 WATT

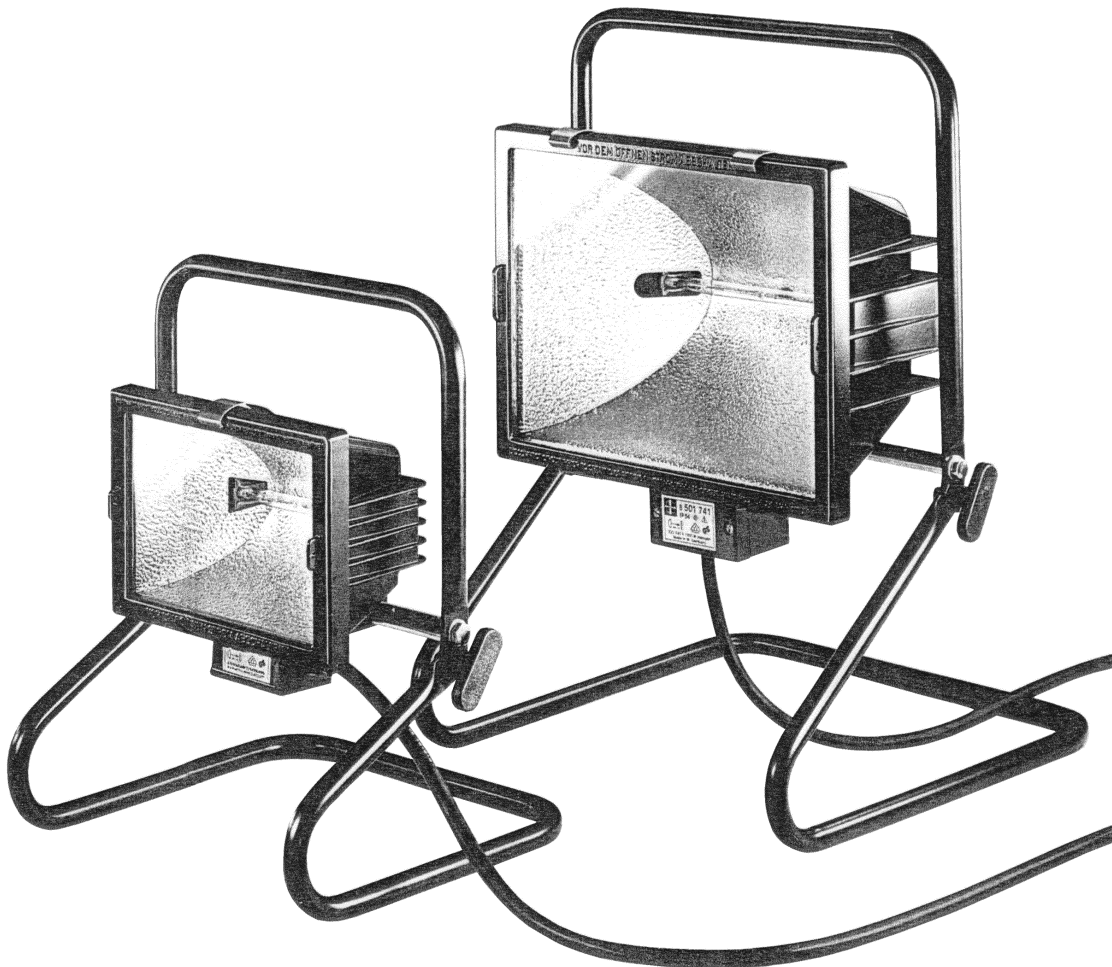
| ART.NR. | MODEL | DESCRIPTION |
|---------|-------|-------------|
|---------|-------|-------------|

AIRBLAST Floodlights are executed according to IP 54, Protection class I, Aluminium press cast housing, Safety glass, synthetic coated frame

| | | |
|-------|--------------|---|
| 50170 | AFL-220/500 | FLOOD LIGHT 220 Volt - 500 Watt - HALOGEN includes halogen bulb of 500 Watt, 4 meters of rubber cable (3 x 1.50 mm ²), connector and frame. |
| 50180 | AFL-220/1000 | FLOOD LIGHT 220 Volt - 1000 Watt - HALOGEN includes halogen bulb of 1000 Watt, 4 meters of rubber cable (3 x 1.50 mm ²), connector and frame. |

SPARE PARTS:

| | |
|-------|------------------------------------|
| 50181 | Replacement bulb Halogen 500 Watt |
| 50182 | Replacement bulb Halogen 1000 Watt |
| 50183 | Safety glass - AFL-220 / 500 |
| 50184 | Safety glass - AFL-220 / 1000 |
| 50185 | Lamp holder - AFL-220 / 500 |
| 50186 | Lamp holder - AFL-220 / 1000 |
| 50187 | Frame - AFL-220 / 500 |
| 50188 | Frame - AFL-220 / 1000 |
| 50189 | Wire Mesh Screen - AFL-220 / 500 |
| 50190 | Wire Mesh Screen - AFL-220 / 1000 |

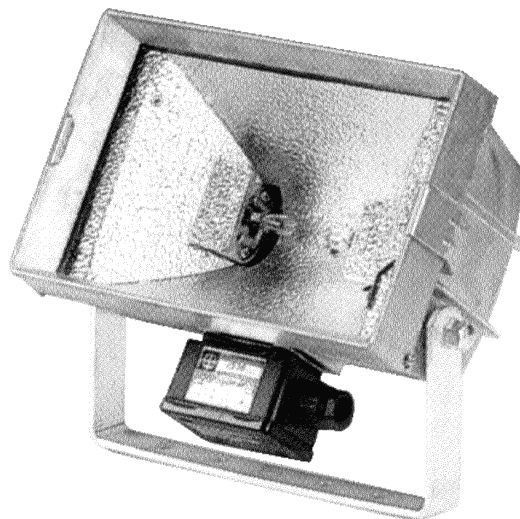




HALOGEN FLOOD LIGHTS

12, 24, 42 AND 220 VOLT – UP TO 500 WATT

| ART.NR. | MODEL | DESCRIPTION |
|------------------------------------|-------|--|
| 50240 | | FLOOD LIGHT - LOW VOLTAGE EXECUTION Protection according to IP 54, Protection class III, Aluminium press cast housing, Safety glass. Heavy execution Exclusive Halogen bulb. Fitting for: Halogen bulb 12 Volt - 50 Watt (2x) Halogen bulb 24 Volt - 150 Watt (2x) |
| 50245 | | FLOOD LIGHT Protection according to IP 54, Protection class I, Aluminium press cast housing, Safety glass. Heavy execution Exclusive Halogen bulb. Fitting for: Halogen bulb 220 Volt - Up to 500 Watt Halogen bulb 42 Volt - Up to 500 Watt |
| ACCESSORIES AND SPARE PARTS | | |
| 50151 | | Halogen bulb - 12 Volt / 50 Watt (2 Pieces required) |
| 50152 | | Halogen bulb - 24 Volt / 150 Watt (2 Pieces required) |
| 50153 | | Halogen bulb - 42 Volt / 500 Watt |
| 50154 | | Halogen bulb - 220 Volt / 300 Watt |
| 50181 | | Halogen bulb - 220 Volt / 500 Watt |
| 50250 | | Wire mesh screen |
| 50120 | | Cable (2 x 1.50 mm ²) Neoprene NWPK H07RN-F |
| 50130 | | Cable (2 x 2.50 mm ²) Neoprene NWPK H07RN-F |
| 50104 | | CEE-Connector 24 Volt 16A - Male |
| 50140 | | CEE-Connector 42 Volt 16A - Male |
| 50255 | | Pole fixture - up to 60 mm diameter |
| 50260 | | Pole fixture - up to 100 mm diameter |
| 50265 | | Tripod, executed in galvanized steel, height adjustable from 1.50 up to 3.50 meters. M10 thread on top |
| 50270 | | Tripod, executed in galvanized steel, height adjustable from 0.95 up to 1.40 meters. M10 thread on top |



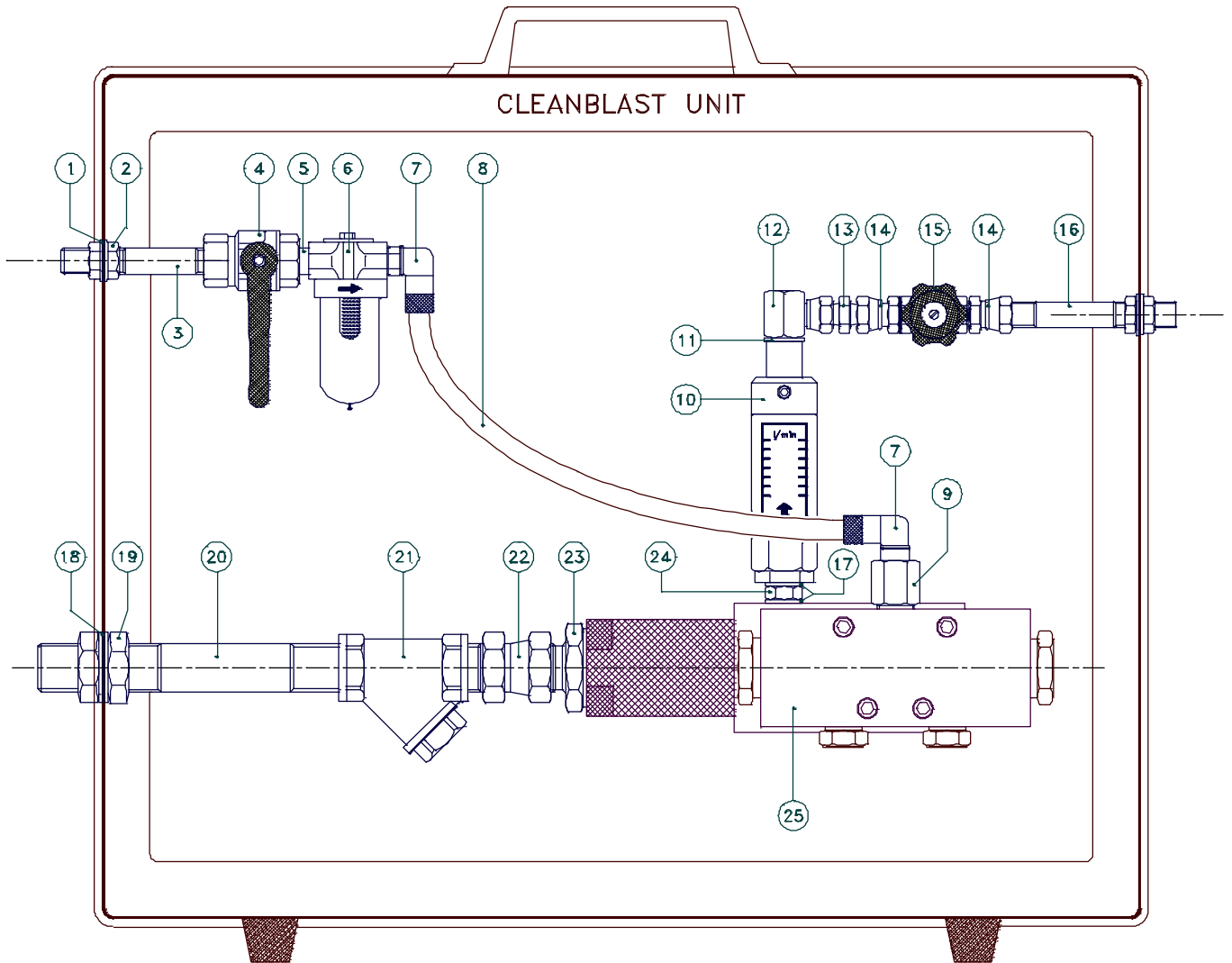


CLEANBLAST WATER INJECTION SYSTEM

| ART.NR. | MODEL | DESCRIPTION |
|-----------|------------|--|
| 50755 | CLEANBLAST | CLEANBLAST, COMPLETE Water injection system for variable pressure wetblasting, incl. nozzle holder assembly and 15 m high pressure hose. |
| 50341 | | NOZZLE HOLDER ASSEMBLY, see Page 8 Spare parts for CLEANBLAST: |
| 1) 50760 | | Washer |
| 2) 50761 | | Lock Nut 1/4" |
| 3) 50762 | | Pipe 1/4" MM |
| 4) 50763 | | Ball Valve 1/4" |
| 5) 50764 | | Hex Nipple 1/4" |
| 6) 50765 | | Air Filter |
| 7) 50766 | | Elbow Swivel 90° 1/4" x 8 mm |
| 8) 50767 | | Plastic Tube 8 mm OD |
| 9) 50768 | | Adapter 1/4" Female x Male |
| 10) 50769 | | Flow Meter 1 - 40 Litres / minute |
| 11) 50770 | | Hex nipple 1/4" |
| 12) 50771 | | Elbow Swivel 90° 1/4" |
| 13) 50772 | | Hex nipple 1/4" |
| 14) 50773 | | Swivel union 1/4" |
| 15) 50774 | | Needle valve 1/4" High Pressure water control |
| 16) 50775 | | Pipe 1/4" MM |
| 17) 50776 | | Washer |
| 18) 50777 | | Washer 3/4" |
| 19) 50778 | | Lock nut 3/4" |
| 20) 50779 | | Pipe 3/4" MM |
| 21) 50780 | | Strainer 3/4" |
| 22) 50781 | | Swivel Union 3/4" |
| 23) 50782 | | Adapter |
| 24) 50783 | | Hex nipple |
| 25) 50784 | | Pneumatic pump, Ratio 2.5 : 1 |



CLEANBLAST WATER INJECTION SYSTEM

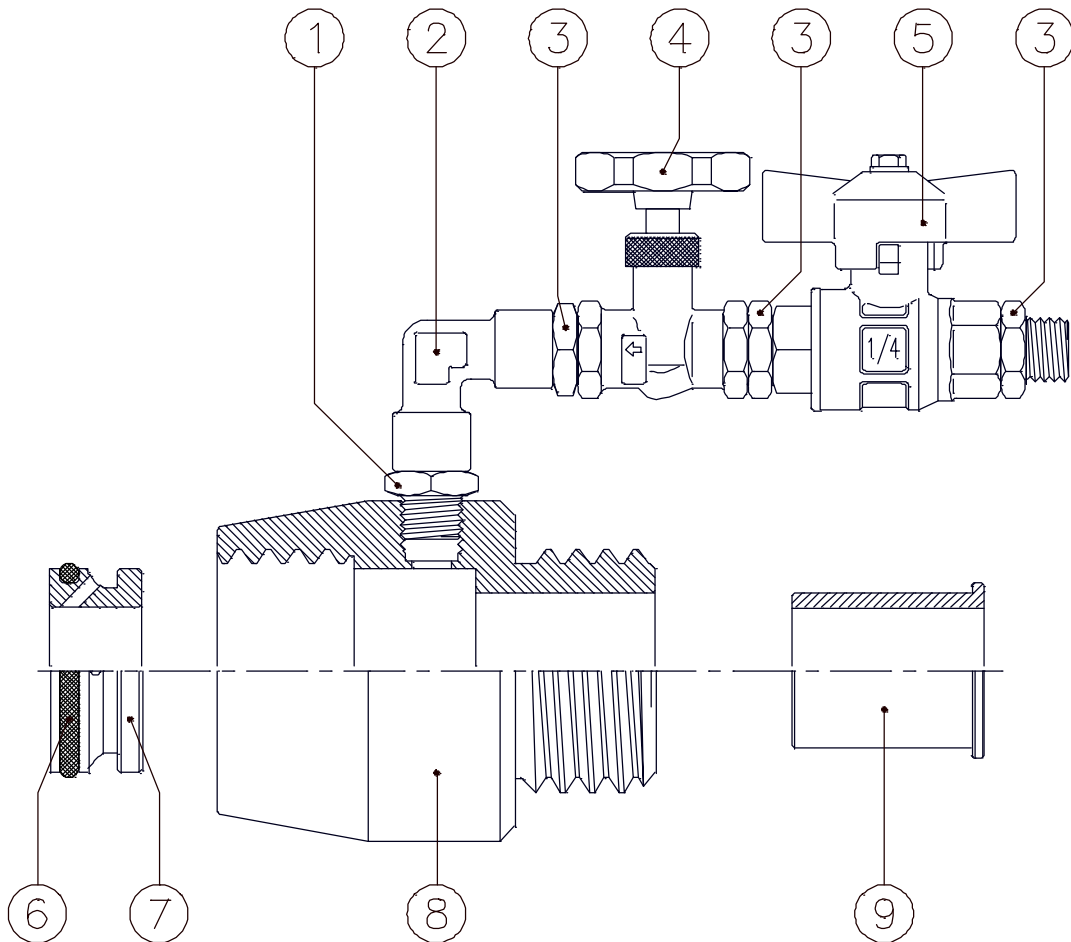




NOZZLE HOLDER ASSEMBLY FOR CLEANBLAST

| ART.NR. | MODEL | DESCRIPTION |
|-----------|-------|---|
| 50341 | | NOZZLE HOLDER ASSEMBLY, complete |
| | | SPARE PARTS |
| | | NOZZLE HOLDER ASSEMBLY |
| 1) 50725 | | Adaptor Nipple (1) |
| 2) 50731 | | Elbow 1/4" FF (1) |
| 3) 50743 | | Hex Nipple 1/4" (3) |
| 4) 50741 | | Water Flow Regulator (1) |
| 5) 50742 | | Ball Valve 1/4" (1) |
| 6) 50691 | | Rubber O-Ring (1) |
| 7) 50701 | | Water Nozzle Insert (1) |
| 8) 50721 | | Body (1) |
| 9) 50711 | *** | Rear Insert (1) |
| 10) 77025 | | 15 mtrs. High Pressure hose 1/4" incl. couplings (not shown) |

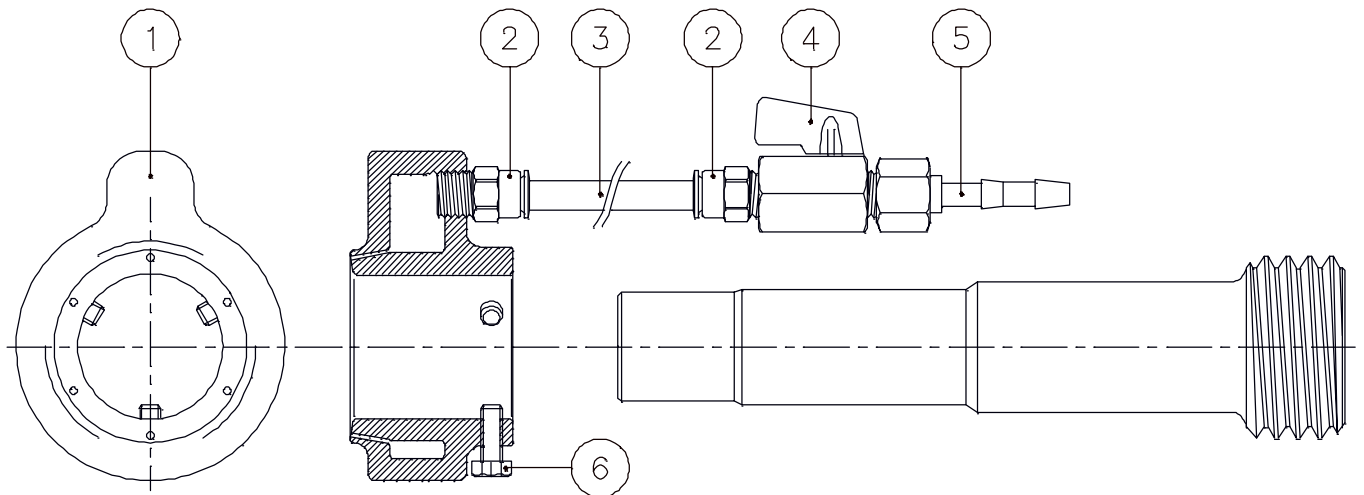
*** Optional, not included





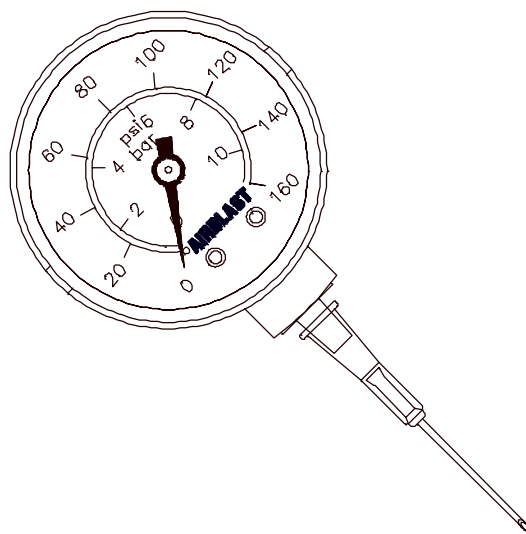
AQUABLAST AND HYPODERMIC NEEDLE GAUGE

| ART.NR. | MODEL | DESCRIPTION |
|----------|--------------|--|
| 50310 | AQUABLAST | AQUABLAST - WETBLAST ATTACHMENT, COMPLETE Includes water jacket, shut-off valve, flexible hose and petcock |
| 50311 | AQUABLAST /B | AQUABLAST - WETBLAST ATTACHMENT, BARE Exclusive of petcock and hose |
| 1) 50315 | | Water jacket (1) |
| 2) 50316 | | Coupling, 1/4" x 8 mm (2) |
| 3) 50317 | | Water hose (1) |
| 4) 11520 | | Ball valve 1/4" (1) |
| 5) 21789 | | Hose barb incl. nut (1) |
| 6) 50318 | | Bolt (3) |



Maximum outside nozzle diameter: 40 mm

| | | |
|-------|---------|---|
| 50330 | PRG | HYPODERMIC NEEDLE GAUGE, COMPLETE Nozzle pressure gauge kit |
| 50331 | PRG - N | Needles for gauge (5 per box) |





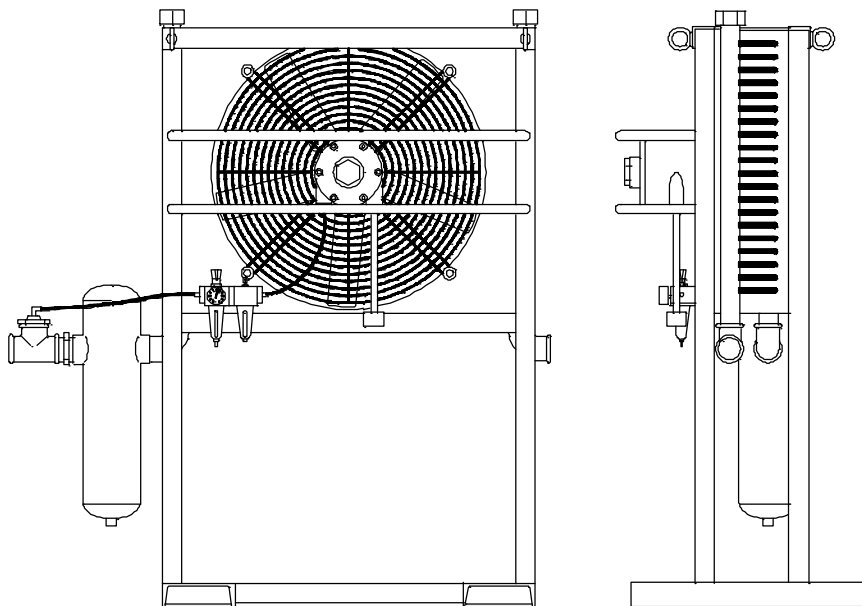
AFTERCOOLERS

| ART.NR. | MODEL | DESCRIPTION |
|--|----------------|-------------------------------|
| AIRBLAST PNEUMATIC AFTER COOLERS | | |
| Complete with: | | |
| - Moisture separator | | |
| - Oiler and moisture separator for pneumatic motor | | |
| - Heavy duty transport frame | | |
| Maximum operating pressure 16 bar | | |
| 50810 | ABAC - 10 /EL | Capacity 1,0 cbm per minute * |
| 50815 | ABAC - 20 /EL | Capacity 2,0 cbm per minute * |
| 50820 | ABAC - 30 /PN | Capacity 3,0 cbm per minute |
| 50825 | ABAC - 40 /PN | Capacity 4,0 cbm per minute |
| 50830 | ABAC - 50 /PN | Capacity 5,0 cbm per minute |
| 50835 | ABAC - 65 /PN | Capacity 6,5 cbm per minute |
| 50840 | ABAC - 80 /PN | Capacity 8,0 cbm per minute |
| 50845 | ABAC - 120 /PN | Capacity 12,0 cbm per minute |
| 50850 | ABAC - 160 /PN | Capacity 16,0 cbm per minute |
| 50855 | ABAC - 200 /PN | Capacity 20,0 cbm per minute |
| 50860 | ABAC - 250 /PN | Capacity 25,0 cbm per minute |
| 50865 | ABAC - 300 /PN | Capacity 30,0 cbm per minute |
| 50870 | ABAC - 400 /PN | Capacity 40,0 cbm per minute |
| 50875 | ABAC - 500 /PN | Capacity 50,0 cbm per minute |
| 50880 | ABAC - 650 /PN | Capacity 65,0 cbm per minute |
| 50885 | ABAC - 750 /PN | Capacity 75,0 cbm per minute |

* Only available in electric execution

Capacities are based upon the following conditions:

Ambient temperature : 21°C - 35°C
Working pressure : 8 bar
Rel. humidity : 60%
Air inlet temp. : 120°C
Delta T : 9°C (above ambient temperature)



The above mentioned aftercoolers are also available in electric execution.