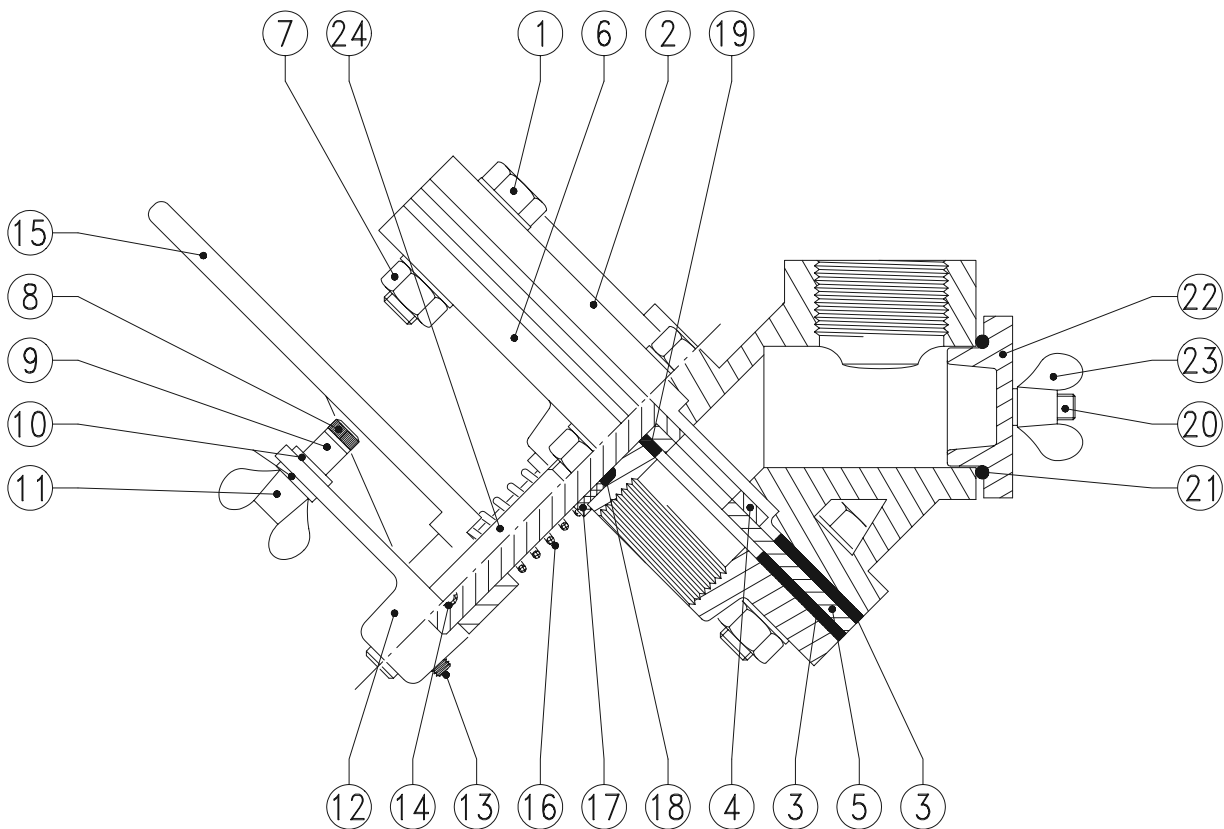




# SANDVALVE FSV

| ART.NR.   | MODEL    | DESCRIPTION                      |     |
|-----------|----------|----------------------------------|-----|
| 60010     | FSV      | <b>1 1/4" FLAT SAND VALVE</b>    |     |
| 1) 60020  |          | Bolt M12 x 45 mm                 | (4) |
| 2) 60030  | FSV - 1  | Upper body                       | (1) |
| 3) 60040  | FSV - 5  | Rubber gasket                    | (2) |
| 4) 60050  | FSV - 4  | Valve                            | (1) |
| 5) 60060  | FSV - 6  | Disc                             | (1) |
| 6) 60070  | FSV - 7  | Lower body                       | (1) |
| 7) 60080  |          | Nut M12                          | (8) |
| 8) 60090  | FSV - 10 | Head cap screw M6 x 25 mm        | (1) |
| 9) 60100  | FSV - 12 | Handle bolt spacer               | (1) |
| 10) 60110 |          | Washer 6 mm                      | (2) |
| 11) 60120 |          | Wing nut M6                      | (1) |
| 12) 60130 | FSV - 14 | Gauge unit                       | (1) |
| 13) 60140 |          | Set screw M6                     | (2) |
| 14) 60150 | FSV - 13 | Handle pin                       | (1) |
| 15) 60160 | FSV - 9  | Control handle                   | (1) |
| 16) 60170 | FSV - 16 | Compressing spring               | (1) |
| 17) 60180 | FSV - 18 | Packing gland                    | (1) |
| 18) 60190 | FSV - 19 | Packing                          | (1) |
| 19) 60200 | FSV - 20 | Gasket                           | (1) |
| 20) 60210 | FSV - 23 | Inspection plate bolt M8 x 35 mm | (2) |
| 21) 60220 | FSV - 21 | O-ring                           | (1) |
| 22) 60230 | FSV - 22 | Inspection plate                 | (1) |
| 23) 60240 | FSV - 24 | Wing nut M8                      | (2) |
| 24) 60250 | FSV - 17 | FSV bolt                         | (2) |

All parts required in quantities shown ( )





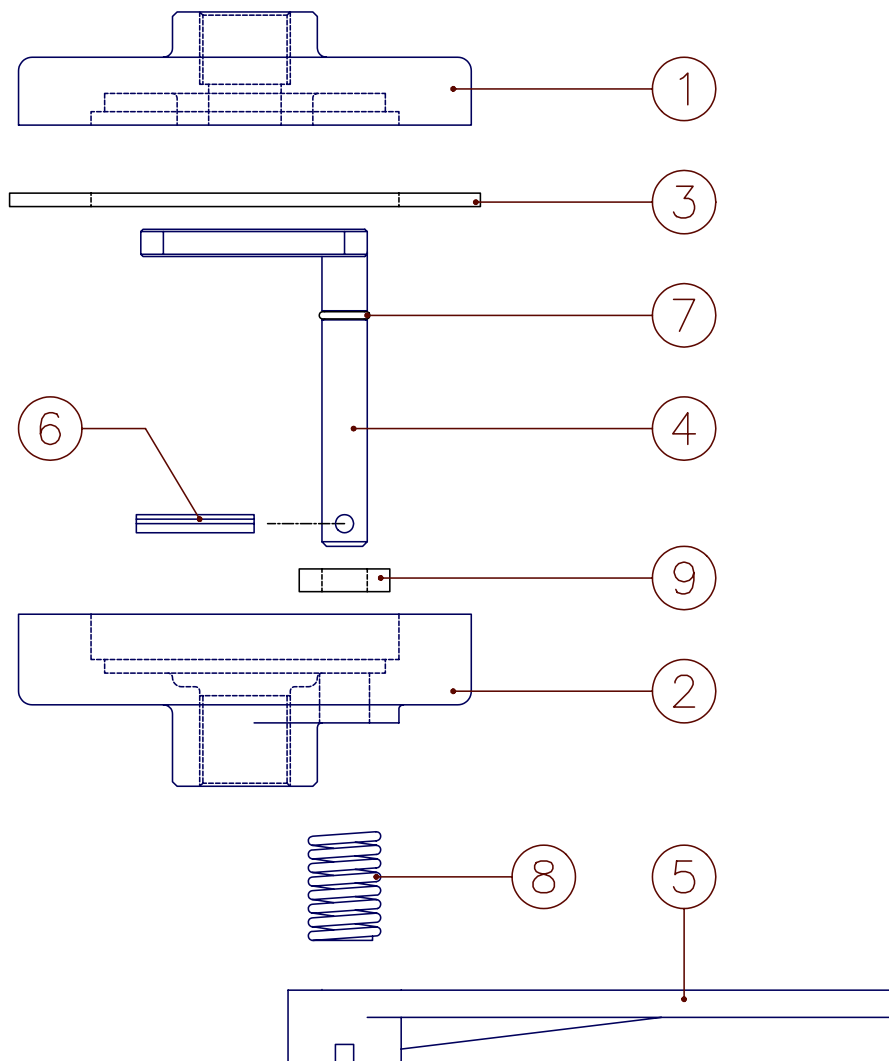
# ABRASIVE CONTROL VALVE AP-7

| ART.NR. | MODEL | DESCRIPTION |
|---------|-------|-------------|
|---------|-------|-------------|

|       |        |                                     |
|-------|--------|-------------------------------------|
| 60260 | AP - 7 | ½" ABRASIVE CONTROL VALVE, COMPLETE |
|-------|--------|-------------------------------------|

### SPARE PARTS :

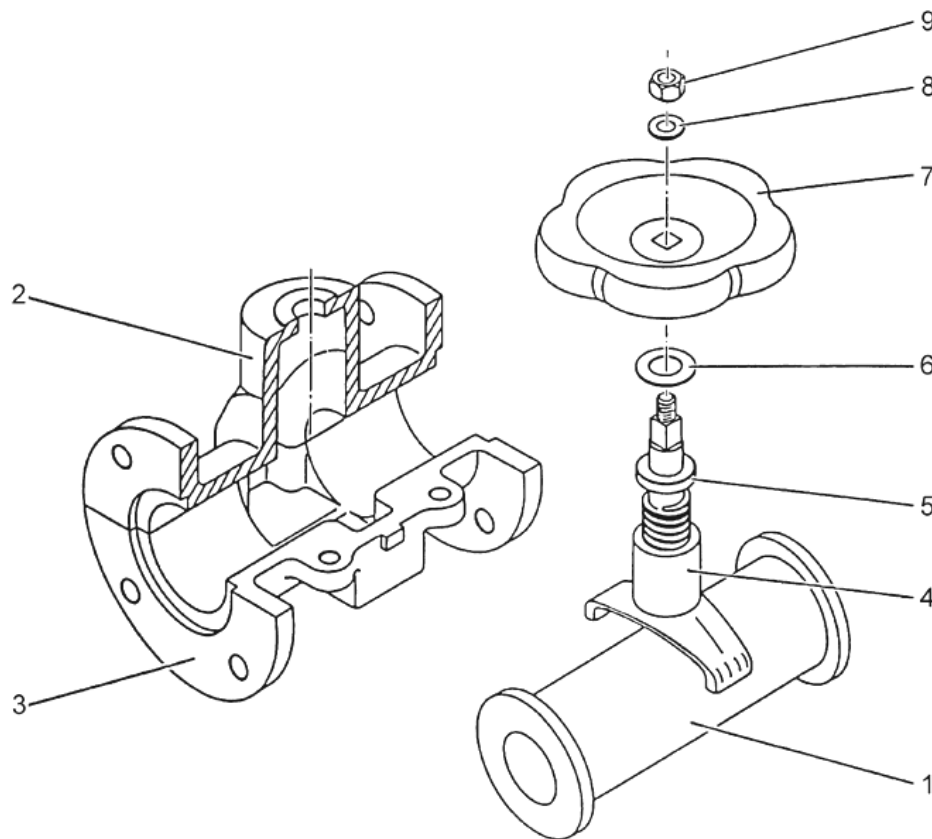
- |          |                         |
|----------|-------------------------|
| 1) 60270 | Top casting             |
| 2) 60280 | Bottom casting          |
| 3) 60290 | Valve body gasket       |
| 4) 60300 | Metering plate and stem |
| 5) 60310 | Handle                  |
| 6) 60320 | Spring pin              |
| 7) 60330 | O-ring                  |
| 8) 60340 | Spring                  |
| 9) 60350 | Washer (nylon)          |





# STEEL GRIT VALVE SGV

| ART.NR.   | MODEL | DESCRIPTION                          |
|-----------|-------|--------------------------------------|
| 60620     | SGV   | <b>GRIT VALVE (SGV), 1" COMPLETE</b> |
|           |       | <b>SPARE PARTS :</b>                 |
| 1) 60621  |       | Rubber sleeve, 1" ID                 |
| 2) 60622  |       | Upper body                           |
| 3) 60623  |       | Lower body                           |
| 4) 60624  |       | Plug                                 |
| 5) 60625  |       | Control system                       |
| 6) 60626  |       | Washer                               |
| 7) 60627  |       | Control handle                       |
| 8) 60628  |       | Washer                               |
| 9) 60629  |       | Nut                                  |
| 10) 60630 |       | Flange for SGV                       |

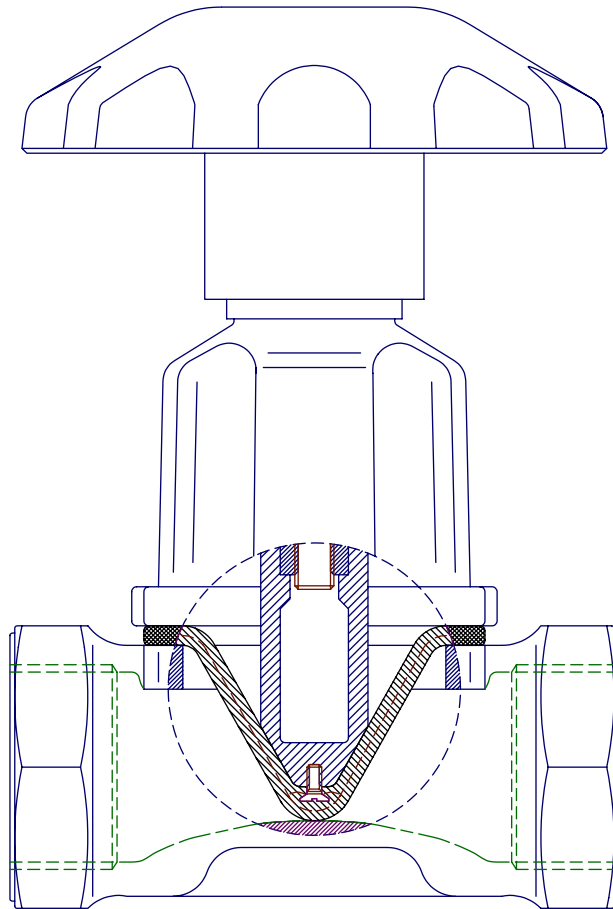


The above valve is also available in a 1¼" ID execution.



## ABRASIVE MEMBRANE VALVES GVA-12, GVA-25, GVA-38

| ART.NR. | MODEL    | DESCRIPTION                            |
|---------|----------|--|
| 60700   | GVA - 12 | ½" ABRASIVE MEMBRANE VALVE, COMPLETE   |
| 60705   | GVA - 25 | 1" ABRASIVE MEMBRANE VALVE, COMPLETE   |
| 60710   | GVA - 32 | 1¼" ABRASIVE MEMBRANE VALVE, COMPLETE  |
| 60715   | GVA - 38 | 1½" ABRASIVE MEMBRANE VALVE, COMPLETE  |
| 60711   |          | Membrane for GVA-25, GVA-32 and GVA-38 |
| 60712   |          | Membrane for GVA-12                    |





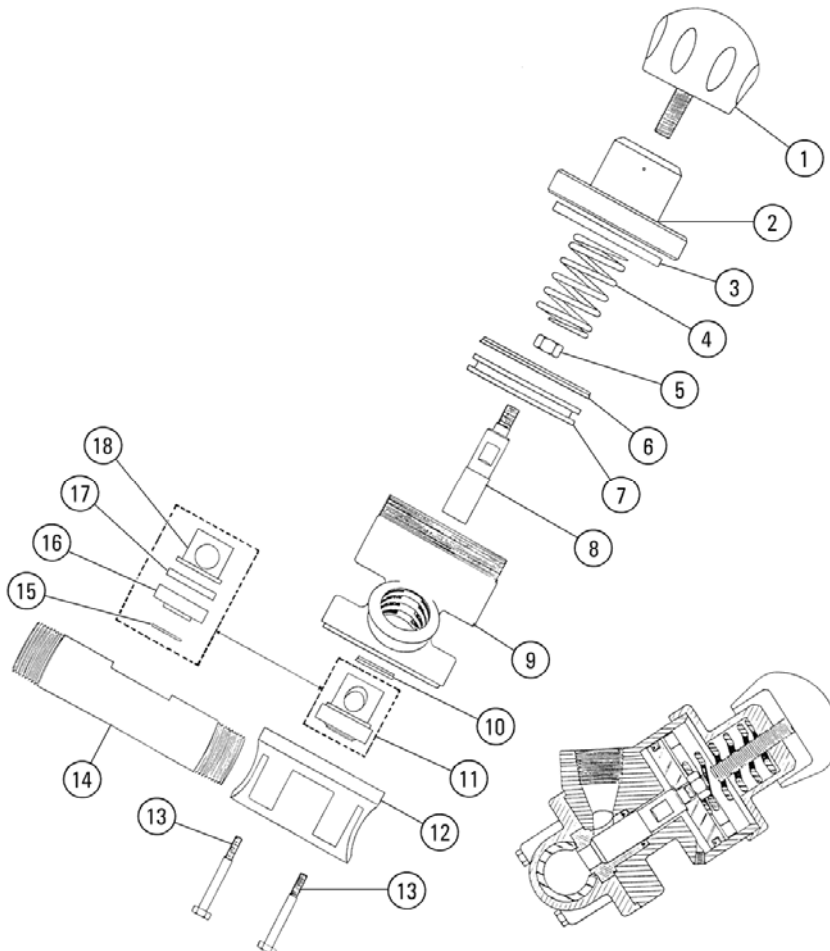
# THOMSON VALVE

## ABRASIVE METERING VALVES - PNEUMATIC CONTROL

### NORMALLY CLOSED

| ART.NR.   | MODEL        | DESCRIPTION                                      |
|-----------|--------------|--|
| 60880     | PGV - 25 /TC | 1" Valve with Tungsten Carbide Sleeve, Complete  |
| 60885     | PGV - 25 /U  | 1" Valve with Urethane Sleeve, Complete          |
| 60890     | PGV - 32 /TC | 1¼" Valve with Tungsten Carbide Sleeve, Complete |
| 60895     | PGV - 32 /U  | 1¼" Valve with Urethane Sleeve, Complete         |
| 60900     | PGV - 38 /TC | 1½" Valve with Tungsten Carbide Sleeve, Complete |
| 60905     | PGV - 38 /U  | 1½" Valve with Urethane Sleeve, Complete         |
| 1) 60910  |              | Knob   |
| 2) 60911  |              | Cap  |
| 3) 60912  |              | Bump Ring  |
| 4) 60913  |              | Spring   |
| 5) 60914  |              | Nut  |
| 6) 60915  | * **         | Piston Seal                                      |
| 7) 60916  |              | Piston   |
| 8) 60917  | * **         | Tungsten Carbide Plunger                         |
| 9) 60918  |              | Cylinder   |
| 10) 60919 | * **         | Plunger Seal                                     |
| 11) 60920 | **           | Urethane Sleeve                                  |
| 12) 60921 |              | Base   |
| 13) 60922 |              | Bolt   |
| 14) 60923 |              | Pipe Nipple, 1" x 8"                             |
| 60924     |              | Pipe Nipple, 1¼" x 8"                            |
| 60925     |              | Pipe Nipple, 1½" x 8"                            |
| 15) 60926 | *            | O-Ring   |
| 16) 60927 | *            | Insert   |
| 17) 60928 | *            | Seat   |
| 18) 60929 | *            | Tungsten carbide Sleeve                          |
| 60930     |              | Repair kit with Tungsten Carbide Sleeve          |
| 60931     |              | Repair kit with Urethane Sleeve                  |

\* Included in repair kit for Tungsten Carbide Sleeve  
 \*\* Included in repair kit for Urethane Sleeve

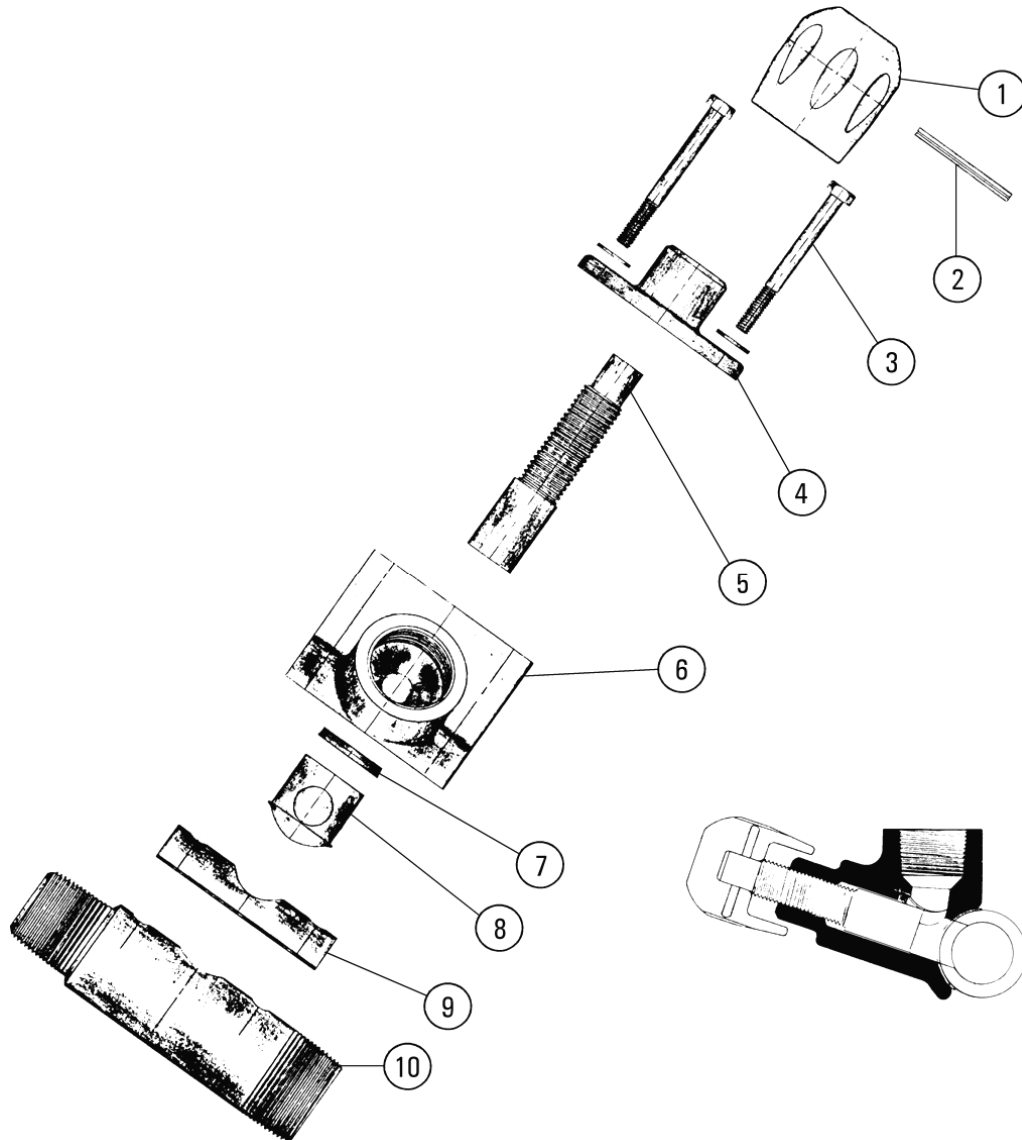




# MICRO VALVE ABRASIVE METERING VALVE

| ART.NR.   | MODEL    | DESCRIPTION                              |
|-----------|----------|--|
| 60795     | MGV - 25 | 1" Valve with Urethane Sleeve, Complete  |
| 60800     | MGV - 32 | 1¼" Valve with Urethane Sleeve, Complete |
| 60805     | MGV - 38 | 1½" Valve with Urethane Sleeve, Complete |
| 1) 60810  |          | Knob                                     |
| 2) 60815  | *        | Roll Pin                                 |
| 3) 60820  |          | Bolt                                     |
| 4) 60825  |          | Cap                                      |
| 5) 60830  | *        | Plunjer                                  |
| 6) 60835  |          | Body                                     |
| 7) 60840  | *        | Seal                                     |
| 8) 60845  | *        | Sleeve - Urethane                        |
| 9) 60850  | *        | Gasket                                   |
| 10) 60855 |          | Pipe Nipple, 1" Female x 1½" Male        |
| 60860     |          | Pipe Nipple, 1¼" Male x 1½" Male         |
| 60865     |          | Pipe Nipple, 1½" Male x 1½" Male         |
| 60870     |          | Repair kit with Urethane Sleeve          |

\* Included in repair kit

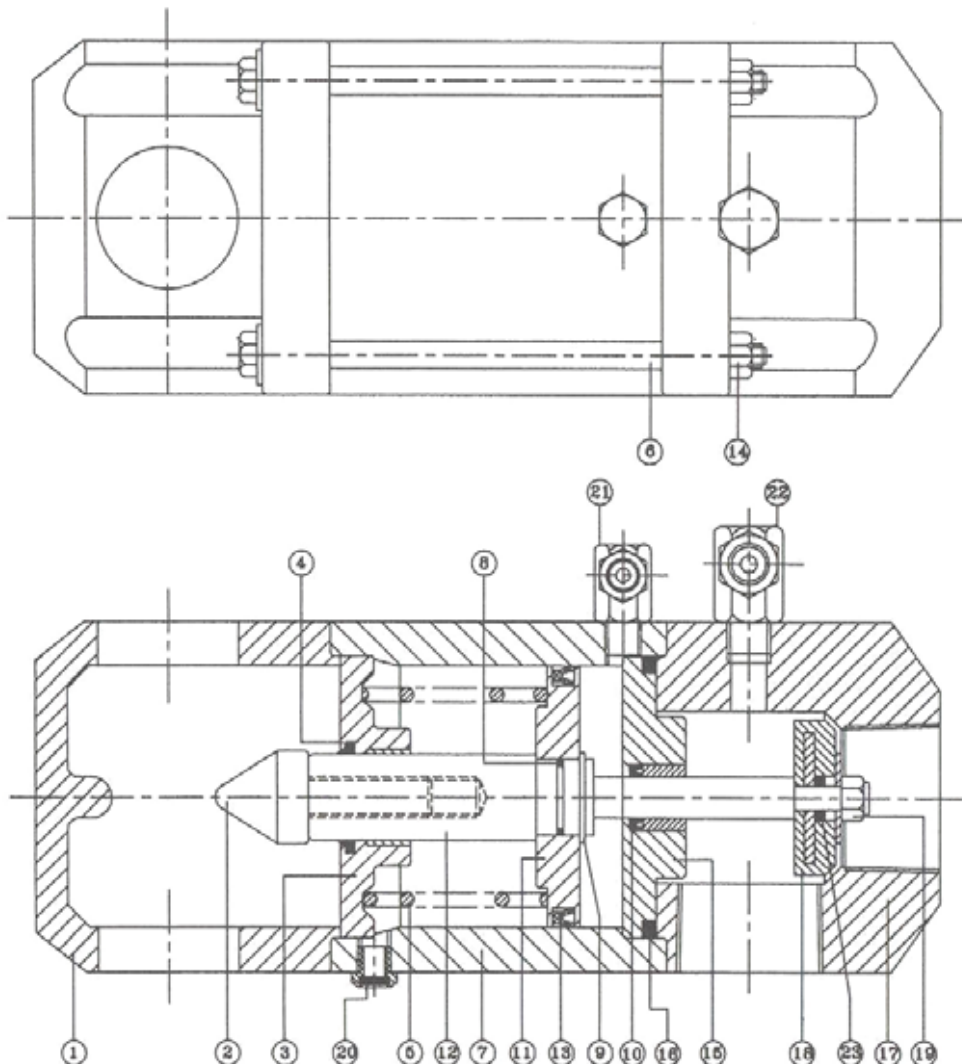




# AIRBLAST COMBI VALVE

| ART.NR.   | MODEL      | DESCRIPTION                |     |
|-----------|------------|----------------------------|-----|
| 60940     | ACV-1 1/4" | 1 1/4" Valve, Complete     |     |
| 1) 60941  |            | Cap                        | (1) |
| 2) 60942  |            | Pinch Ram                  | (1) |
| 3) 60943  |            | Upper Rod Guide            | (1) |
| 4) 60944  | *          | Seal (Upper Rod)           | (1) |
| 5) 60945  |            | Spring                     | (1) |
| 6) 60946  |            | Bolt 3/8" x 6"             | (4) |
| 7) 60947  |            | Cylinder                   | (1) |
| 8) 60948  | *          | O-ring (Shaft)             | (1) |
| 9) 60949  | *          | Snap Ring                  | (1) |
| 10) 60950 | *          | Seal (Lower Rod Guide)     | (1) |
| 11) 60951 |            | Piston                     | (1) |
| 12) 60952 |            | Shaft                      | (1) |
| 13) 60953 | *          | Piston Seal                | (1) |
| 14) 60954 |            | Nut 3/8"                   | (4) |
| 15) 60955 |            | Lower Rod Guide            | (1) |
| 16) 60956 | *          | O-ring (Lower Rod Guide)   | (1) |
| 17) 60957 |            | Base                       | (1) |
| 18) 60958 | *          | Valve Plug Assembly        | (1) |
| 19) 60959 | *          | Nut 1/4"                   | (1) |
| 20) 60960 |            | Nut 1/8"                   | (1) |
| 21) 60961 |            | 90° Swivel, 1/8" x 1/8"    | (1) |
| 22) 60962 |            | 90° Swivel, 1/4" x 1/4"    | (1) |
| 23) 60963 |            | Valve Plug Assembly O-ring | (1) |
| 60964     |            | Repair Kit                 | (2) |

\* Included in Repair Kit

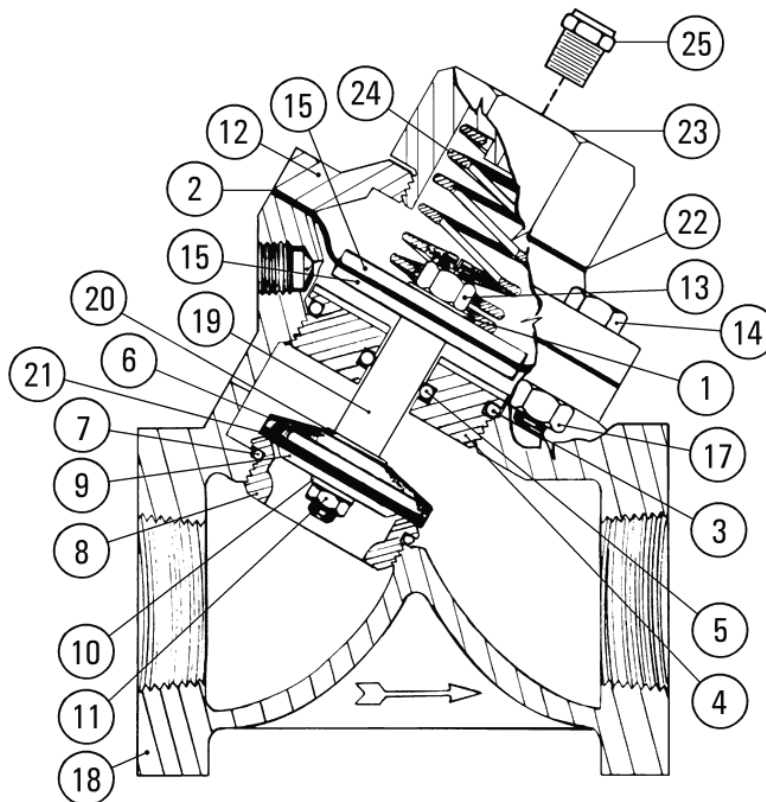




## AIR VALVE – NORMALLY CLOSED PNEUMATIC CONTROL

| ART.NR.       | MODEL    | DESCRIPTION                                       |
|---------------|----------|---|
| 61000         | AAV - 32 | 1¼" Air valve, normally closed, pneumatic control |
| 61010         | AAV - 38 | 1½" Air valve, normally closed, pneumatic control |
| 1) 61020      | *        | Gasket  |
| 2) 61021      | *        | Diaphragm   |
| 3) 61022      | *        | O-Ring  |
| 4) 61023      |          | Retainer Bushing                                  |
| 5) 61024      | *        | O-Ring  |
| 6) 61025      |          | Disc Retainer                                     |
| 7) 61026      | *        | O-Ring  |
| 8) 61027      |          | Seat  |
| 9) 61028      |          | Disc Plate  |
| 10) "Deleted" |          | Lock Washer, Internal                             |
| 11) 61030     | *        | Lock Nut  |
| 12) 61031     |          | Cap   |
| 13) 61032     | *        | Lock Nut  |
| 14) 61033     |          | Cap Screw   |
| 15) 61034     |          | Diaphragm Plate                                   |
| 17) 61035     |          | Lock Nut  |
| 18) 61036     |          | Body, 1¼"   |
| 61037         |          | Body, 1½"   |
| 19) 61038     |          | Shaft   |
| 20) 61039     | *        | Gasket  |
| 21) 61040     | *        | Disc  |
| 22) 61041     |          | Gasket  |
| 23) 61042     |          | Spring Retainer                                   |
| 24) 61043     |          | Spring  |
| 25) 61044     |          | Vent, 1/8" (not included)                         |
| 61045         |          | Repair kit  |

\* Included in repair kit



The above valve is also available in 1" ID, 2" ID and "normally open" executions.