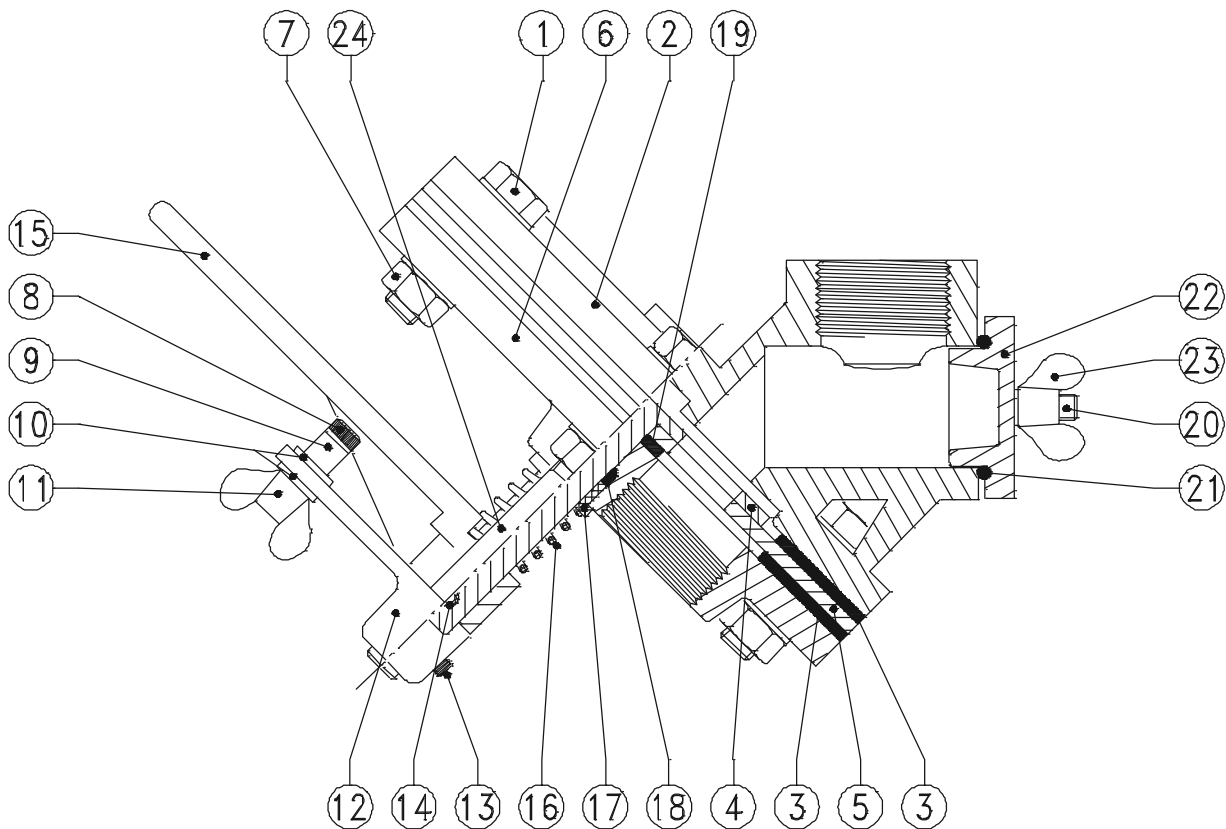




SANDVALVE FSV

ART.NR.	MODEL	DESCRIPTION	
60010	FSV	1¼" FLAT SAND VALVE	
1) 60020		Bolt M12 x 45 mm	(4)
2) 60030	FSV - 1	Upper body	(1)
3) 60040	FSV - 5	Rubber gasket	(2)
4) 60050	FSV - 4	Valve (stainless steel)	(1)
5) 60060	FSV - 6	Disc (stainless steel)	(1)
6) 60070	FSV - 7	Lower body	(1)
7) 60080		Nut M12	(8)
8) 60090	FSV - 10	Head cap screw M6 x 25 mm	(1)
9) 60100	FSV - 12	Handle bolt spacer	(1)
10) 60110		Washer 6 mm	(2)
11) 60120		Wing nut M6	(1)
12) 60130	FSV - 14	Gauge unit	(1)
13) 60140		Set screw M6	(2)
14) 60150	FSV - 13	Handle pin	(1)
15) 60160	FSV - 9	Control handle	(1)
16) 60170	FSV - 16	Compressing spring	(1)
17) 60180	FSV - 18	Packing gland (brass)	(1)
18) 60190	FSV - 19	Packing	(1)
19) 60200	FSV - 20	Gasket	(1)
20) 60210	FSV - 23	Inspection plate bolt M8 x 35 mm	(2)
21) 60220	FSV - 21	O-ring	(1)
22) 60230	FSV - 22	Inspection plate	(1)
23) 60240	FSV - 24	Wing nut M8	(2)
24) 60250	FSV - 17	FSV bolt	(2)

All parts required in quantities shown ()





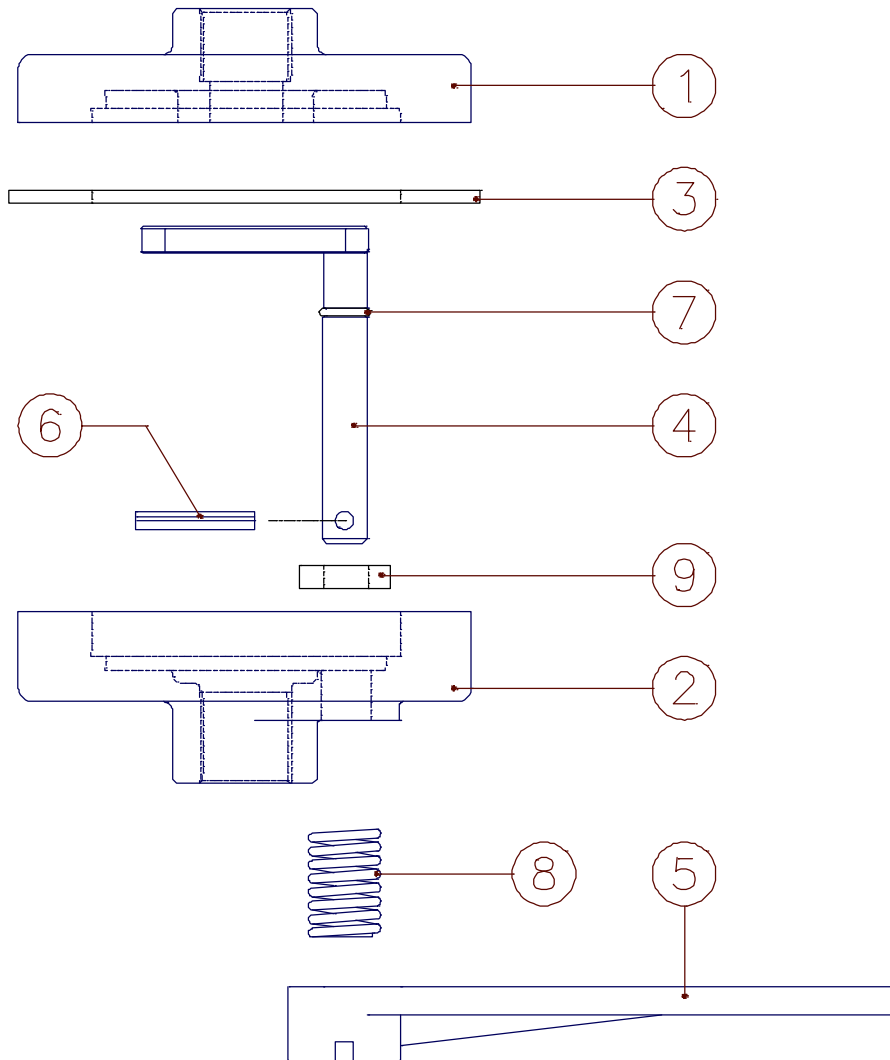
ABRASIVE CONTROL VALVE AP-7

ART.NR.	MODEL	DESCRIPTION
---------	-------	-------------

60260 AP - 7 1/2" ABRASIVE CONTROL VALVE, COMPLETE

SPARE PARTS :

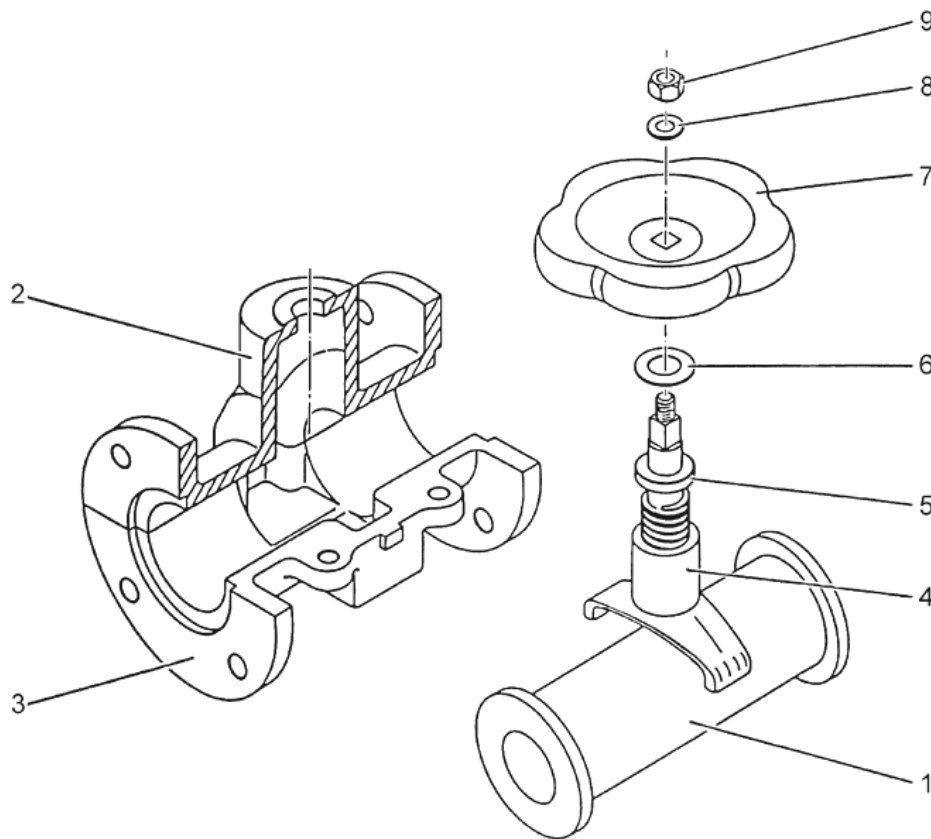
- | | |
|----------|-------------------------|
| 1) 60270 | Top casting |
| 2) 60280 | Bottom casting |
| 3) 60290 | Valve body gasket |
| 4) 60300 | Metering plate and stem |
| 5) 60310 | Handle |
| 6) 60320 | Spring pin |
| 7) 60330 | O-ring |
| 8) 60340 | Spring |
| 9) 60350 | Washer (nylon) |





STEEL GRIT VALVE SGV

ART.NR.	MODEL	DESCRIPTION
60620	SGV	GRIT VALVE (SGV), 1" COMPLETE
		SPARE PARTS :
1) 60621		Rubber sleeve, 1" ID
2) 60622		Upper body
3) 60623		Lower body
4) 60624		Plug
5) 60625		Control system
6) 60626		Washer
7) 60627		Control handle
8) 60628		Washer
9) 60629		Nut
10) 60630		Flange for SGV

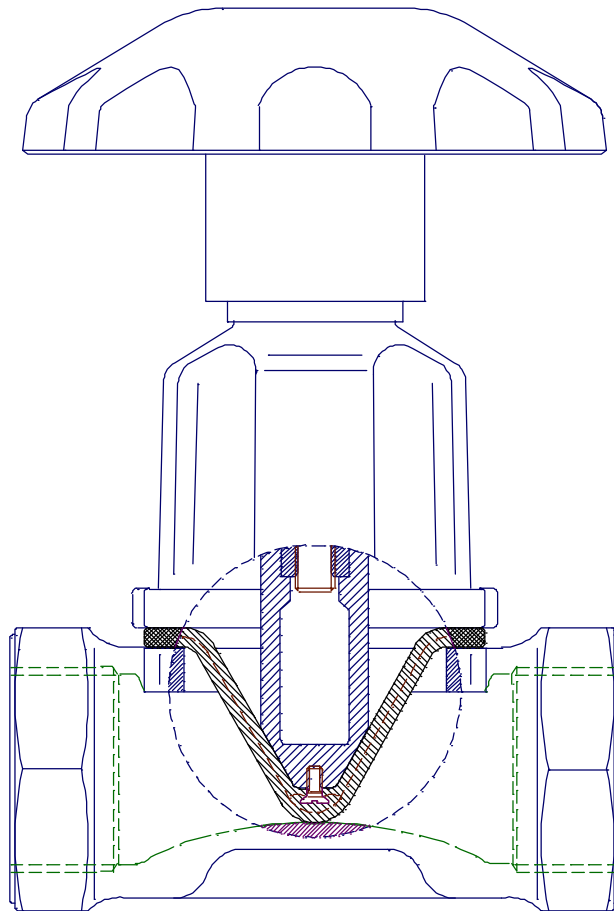


The above valve is also available in a 1¼" ID execution.



ABRASIVE MEMBRANE VALVES GVA-12, GVA-25, GVA-38

ART.NR.	MODEL	DESCRIPTION
60700	GVA - 12	½" ABRASIVE MEMBRANE VALVE, COMPLETE
60705	GVA - 25	1" ABRASIVE MEMBRANE VALVE, COMPLETE
60710	GVA - 32	1¼" ABRASIVE MEMBRANE VALVE, COMPLETE
60715	GVA - 38	1½" ABRASIVE MEMBRANE VALVE, COMPLETE
60711		Membrane for GVA-25, GVA-32 and GVA-38
60712		Membrane for GVA-12





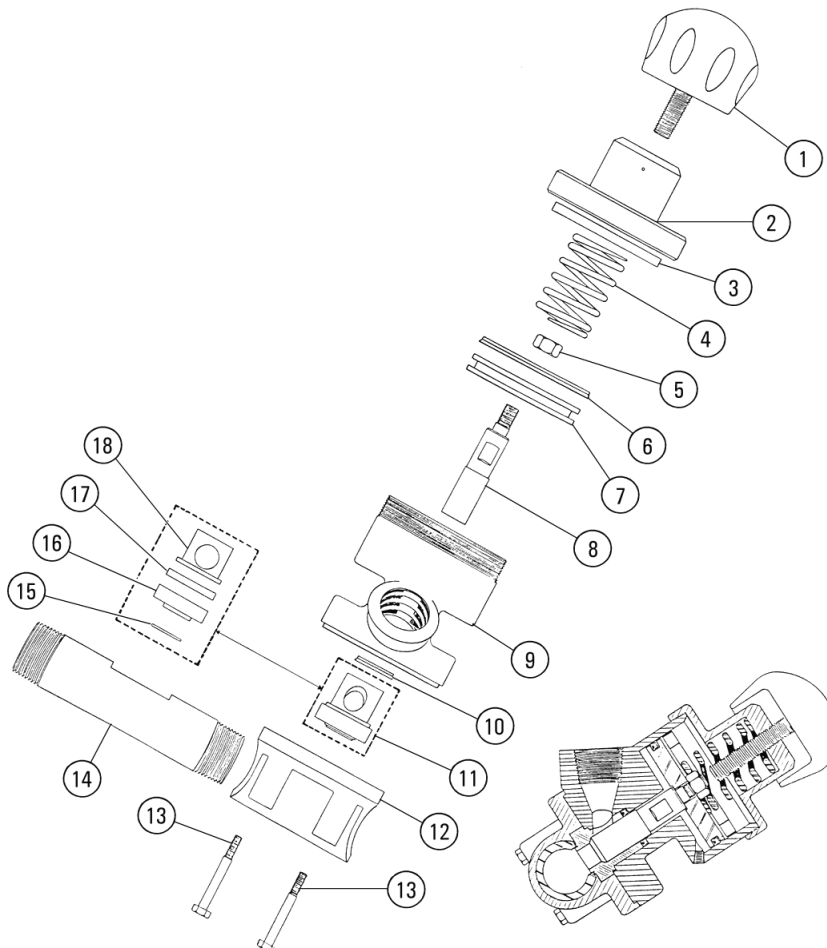
THOMSON VALVE

ABRASIVE METERING VALVES - PNEUMATIC CONTROL

NORMALLY CLOSED

ART.NR.	MODEL	DESCRIPTION
60880	PGV - 25 /TC	1" Valve with Tungsten Carbide Sleeve, Complete
60885	PGV - 25 /U	1" Valve with Urethane Sleeve, Complete
60890	PGV - 32 /TC	1¼" Valve with Tungsten Carbide Sleeve, Complete
60895	PGV - 32 /U	1¼" Valve with Urethane Sleeve, Complete
60900	PGV - 38 /TC	1½" Valve with Tungsten Carbide Sleeve, Complete
60905	PGV - 38 /U	1½" Valve with Urethane Sleeve, Complete
1) 60910		Knob
2) 60911		Cap
3) 60912		Bump Ring
4) 60913		Spring
5) 60914		Nut
6) 60915	* **	Piston Seal
7) 60916		Piston
8) 60917	* **	Tungsten Carbide Plunger
9) 60918		Cylinder
10) 60919	* **	Plunger Seal
11) 60920	**	Urethane Sleeve
12) 60921		Base
13) 60922		Bolt
14) 60923		Pipe Nipple, 1" x 8"
60924		Pipe Nipple, 1¼" x 8"
60925		Pipe Nipple, 1½" x 8"
15) 60926	*	O-Ring
16) 60927	*	Insert
17) 60928	*	Seat
18) 60929	*	Tungsten carbide Sleeve
60930		Repair kit with Tungsten Carbide Sleeve
60931		Repair kit with Urethane Sleeve

* Included in repair kit for Tungsten Carbide Sleeve
 ** Included in repair kit for Urethane Sleeve

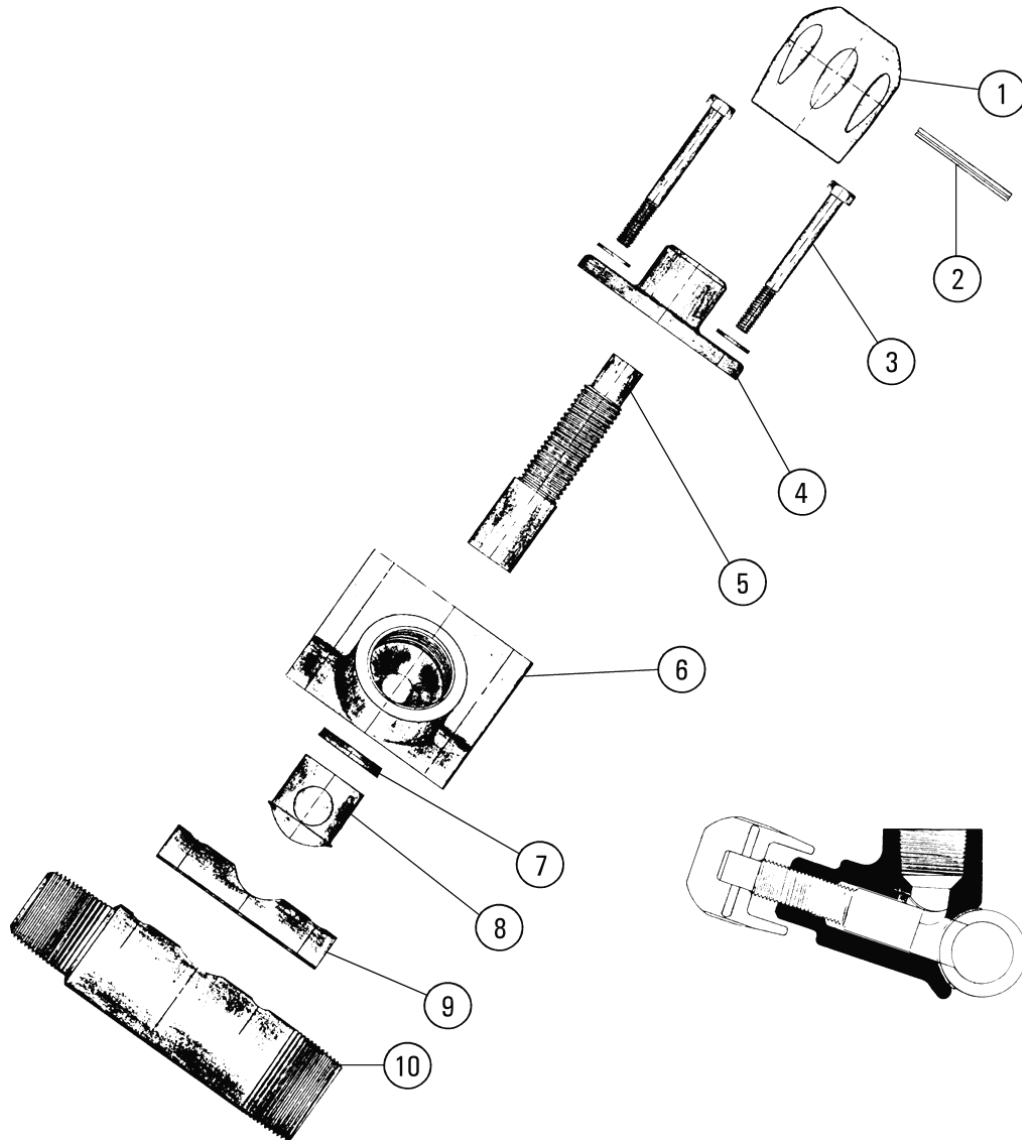




MICRO VALVE ABRASIVE METERING VALVE

ART.NR.	MODEL	DESCRIPTION
60795	MGV - 25	1" Valve with Urethane Sleeve, Complete
60800	MGV - 32	1¼" Valve with Urethane Sleeve, Complete
60805	MGV - 38	1½" Valve with Urethane Sleeve, Complete
1) 60810		Knob
2) 60815	*	Roll Pin
3) 60820		Bolt
4) 60825		Cap
5) 60830	*	Plunjer
6) 60835		Body
7) 60840	*	Seal
8) 60845	*	Sleeve - Urethane
9) 60850	*	Gasket
10) 60855		Pipe Nipple, 1" Female x 1½" Male
60860		Pipe Nipple, 1¼" Male x 1½" Male
60865		Pipe Nipple, 1½" Male x 1½" Male
60870		Repair kit with Urethane Sleeve

* Included in repair kit

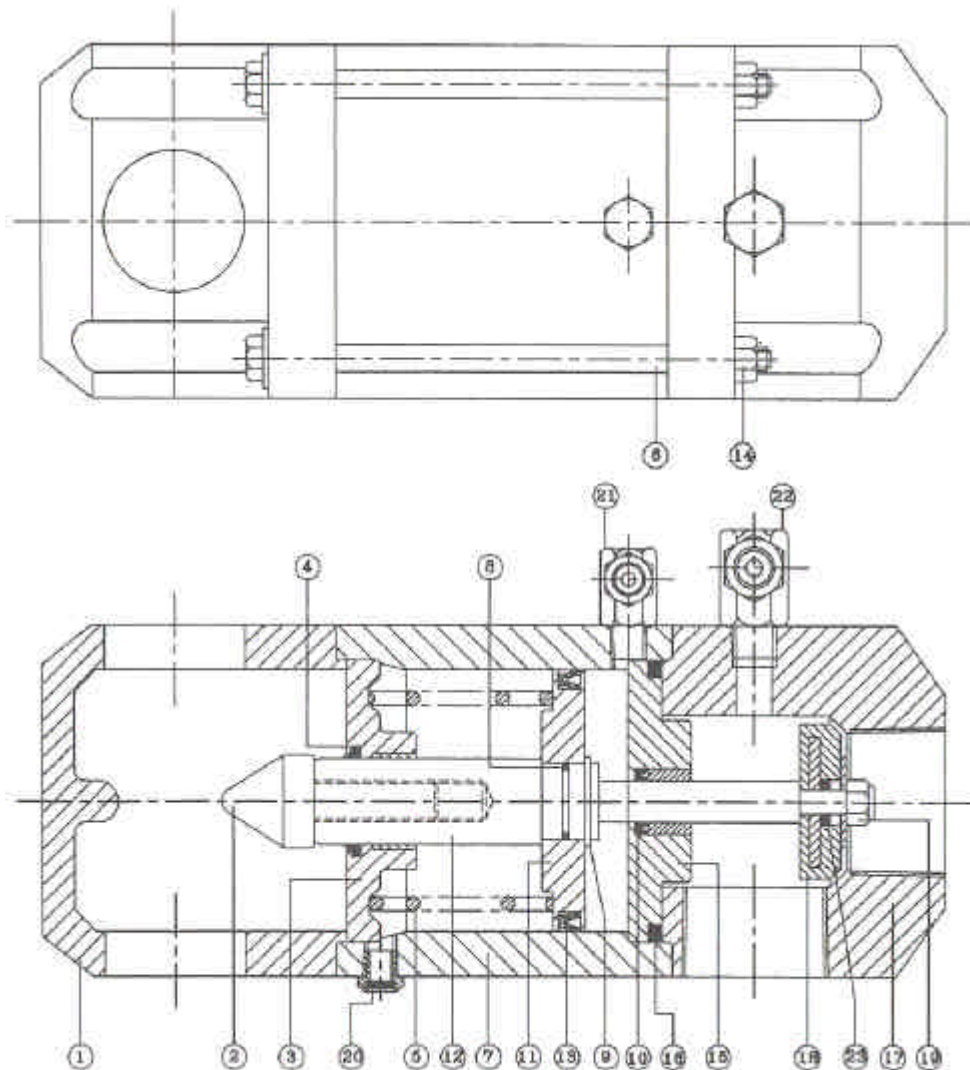




AIRBLAST COMBI VALVE

ART.NR.	MODEL	DESCRIPTION	
60940	ACV-1 1/4"	1 1/4" Valve, Complete	
1) 60941		Cap	(1)
2) 60942		Pinch Ram	(1)
3) 60943		Upper Rod Guide	(1)
4) 60944	*	Seal (Upper Rod)	(1)
5) 60945		Spring	(1)
6) 60946		Bolt ?" x 6"	(4)
7) 60947		Cylinder	(1)
8) 60948	*	O-ring (Shaft)	(1)
9) 60949	*	Snap Ring	(1)
10) 60950	*	Seal (Lower Rod Guide)	(1)
11) 60951		Piston	(1)
12) 60952		Shaft	(1)
13) 60953	*	Piston Seal	(1)
14) 60954		Nut ?"	(4)
15) 60955		Lower Rod Guide	(1)
16) 60956	*	O-ring (Lower Rod Guide)	(1)
17) 60957		Base	(1)
18) 60958	*	Valve Plug Assembly	(1)
19) 60959	*	Nut 1/4"	(1)
20) 60960		Nut ?"	(1)
21) 60961		90° Swivel, ?" x ?"	(1)
22) 60962		90° Swivel, 1/4" x 1/4"	(1)
23) 60963		Valve Plug Assembly O-ring	(2)
60964		Repair Kit	

* Included in Repair Kit

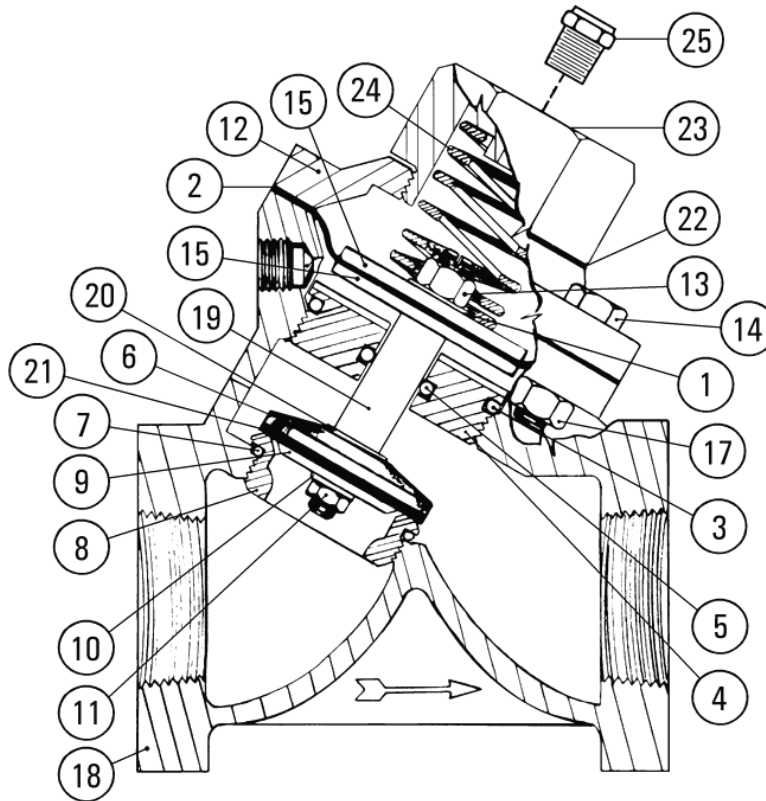




AIR VALVE – NORMALLY CLOSED PNEUMATIC CONTROL

ART.NR.	MODEL	DESCRIPTION
61000	AAV - 32	1¼" Air valve, normally closed, pneumatic control
61010	AAV - 38	1½" Air valve, normally closed, pneumatic control
1) 61020	*	Gasket
2) 61021	*	Diaphragm
3) 61022	*	O-Ring
4) 61023		Retainer Bushing
5) 61024	*	O-Ring
6) 61025		Disc Retainer
7) 61026	*	O-Ring
8) 61027		Seat
9) 61028		Disc Plate
10) "Deleted"		Lock Washer, Internal
11) 61030	*	Lock Nut
12) 61031		Cap
13) 61032	*	Lock Nut
14) 61033		Cap Screw
15) 61034		Diaphragm Plate
17) 61035		Lock Nut
18) 61036		Body, 1¼"
61037		Body, 1½"
19) 61038		Shaft
20) 61039	*	Gasket
21) 61040	*	Disc
22) 61041		Gasket
23) 61042		Spring Retainer
24) 61043		Spring
25) 61044		Vent, ¼" (not included)
61045		Repair kit

* Included in repair kit



The above valve is also available in 1" ID, 2" ID and "normally open" executions.