



## PIPECOATER EQUIPMENT FOR INTERNAL PAINTING OF PIPES AND TUBES

ART.NR.	MODEL	DESCRIPTION
		<p><b>PIPECOATER-I and PIPECOATER-II are developed for pipe or tubing ranging from 90 mm to 950 mm (4" - 37") ID</b>  <b>Both models are equipped with scissor-type expansion legs operated by an air cylinder and regulated by a control gun assembly</b></p> <p><b>PIPECOATER-I AND PIPECOATER-II SYSTEMS</b>  <b>Systems include:</b>  <b>Paint Spray Tool with Centering Legs, Air Control Group and Gun, Air Control Hose and High Pressure Paint Hose.</b></p> <p><b>For pipes with ID of 90 mm to 180 mm (4" - 7")</b></p>
71001		Pipecoater-I, for use up to 2 meters ( 6 ft.) long pipe incl.: 3.0 meters ( 10 ft. ) Air Control Hose 3.5 meters ( 11 ft. ) Paint Spray Hose
71003		Pipecoater-I, for use up to 4 meters (12 ft.) long pipe incl.: 5.0 meters ( 16 ft. ) Air Control Hose 5.5 meters ( 18 ft. ) Paint Spray Hose
71005		Pipecoater-I, for use up to 6 meters (20 ft.) long pipe incl.: 10.0 meters ( 32 ft. ) Air Control Hose 10.5 meters ( 34 ft. ) Paint Spray Hose
71007		Pipecoater-I, for use up to 12 meters (40 ft.) long pipe incl.: 15.0 meters ( 48 ft. ) Air Control Hose 16.0 meters ( 52 ft. ) Paint Spray Hose
		<b>For pipes with ID of 180 mm to 950 mm (7" - 37")</b>
71002		Pipecoater-II, for use up to 2 meters (6 ft.) long pipe incl.: 3.0 meters ( 10 ft. ) Air Control Hose 3.5 meters ( 11 ft. ) Paint Spray Hose
71004		Pipecoater-II, for use up to 4 meters (12 ft.) long pipe incl.: 5.0 meters ( 16 ft. ) Air Control Hose 5.5 meters ( 18 ft. ) Paint Spray Hose
71006		Pipecoater-II, for use up to 6 meters (20 ft.) long pipe incl.: 10.0 meters ( 32 ft. ) Air Control Hose 10.5 meters ( 34 ft. ) Paint Spray Hose
71008		Pipecoater-II, for use up to 12 meters (40 ft.) long pipe incl.: 15.0 meters ( 48 ft. ) Air Control Hose 16.0meters ( 52 ft. ) Paint Spray Hose

### COMMON PARTS PIPECOATER-I AND II

ART.NR.	MODEL	DESCRIPTION
71009		Air Control Hose 3.0 meters ( 10 ft. )
71010		Air Control Hose 5.0 meters ( 16 ft. )
71011		Air Control Hose 10.0 meters ( 32 ft. )
71012		Paint Spray Hose 3.5 meters ( 11 ft. )
71013		Paint Spray Hose 5.5 meters ( 18 ft. )
71014		Paint Spray Hose 10.5 meters ( 34 ft. )
71021		Silver Gun (Bare), incl. hose adaptor assembly
71022		Air group for Silver Gun
71023		Adapter for Silver Gun
71050		O-ring set, Air Control Hose
71051		O-ring set, Pipecoater-I
71052		O-ring set, Pipecoater-II



## PIPECOATER EQUIPMENT FOR INTERNAL PAINTING OF PIPES AND TUBES

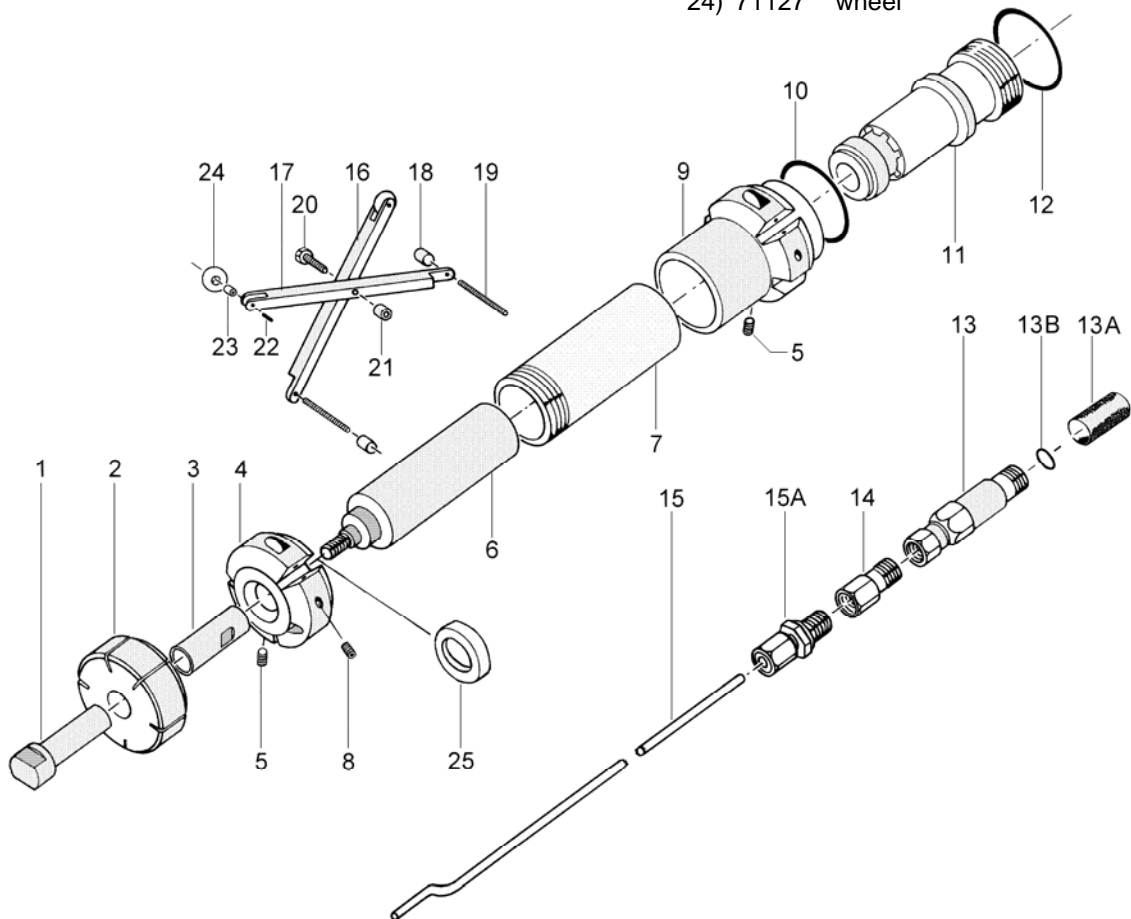
ART.NR.	MODEL	DESCRIPTION
		<p>PIPECOATER-III range are economy models, developed for pipe or tubing ranging from 80 mm to 900 mm (3" - 35") ID The three models are executed with different centering devices which must be set to the right diameter manually.</p> <p>Parts of PIPECOATER-III/300 and PIPECOATER-III/900 are fully interchangeable ( except for the centering devices )</p>
73010	PIPECOATER-III /125	PIPECOATER-III complete unit with centering collars for pipes with ID: 76 mm - 125 mm ( 3" - 5" )
73020	PIPECOATER-III /300	PIPECOATER-III complete unit with scissor-type centering carriage for pipes with ID: 125 mm - 300 mm ( 5" - 12" )
73030	PIPECOATER-III /900	PIPECOATER-III complete unit with large centering collars for pipes with ID: 300 mm - 900 mm ( 12" - 35" )
73040	PIPECOATER-III /BARE	Bare PIPECOATER-III unit, to be executed with the appropriate centering device as the PIPECOATER-III /300 or as the PIPECOATER-III /900
73050		Centering carriage assembly for pipes with ID: 125 mm - 300 mm ( 5" - 12" ) consists of: - CBC-2 scissor type Centering carriage - Centering collars - Threaded protection sleeve
73060		Centering carriage assembly for pipes with ID: 300 mm - 900 mm ( 12" - 35" ) consists of: - SPB-19 Adjustable centering carriage - Bushing



# SPARE PARTS PIPECOATER-I

ART.NR.	MODEL	DESCRIPTION
---------	-------	-------------

71024	PIPECOATER-I	<b>PIPECOATER-I, Less Hoses and Gun</b>
1) 71101		Hub
2) 71102		Impeller
3) 71103		Cage
4) 71104		Motor end
5) 71105		Locking screw
6) 71106		Air motor
7) 71107		Tube
8) 71108		Screw
9) 71109		Cylinder
10) 71110		O-ring ( 34.2 x 3.0 )
11) 71111		Coupling
12) 71112		O-ring ( 34.2 x 3.0 )
13) 71113		Strainer complete
13a) 71114		Strainer
13b) 71115		Nylon ring
14) See tip selection list on Page 8		Spray tip ( Standard 0.026" )
15) 71117		Paint tube
15a) 71118		Nipple
16) 71119		Leg w/Wheel
17) 71120		Leg (only)
18) 71121		Bearing
19) 71122		Pin
20) 71123		Screw
21) 71124		Nut
22) 71125		Shaft
23) 71126		Bearing
24) 71127		Wheel
25) 71128		Ring
-) 71129		Wheel kit for PIPECOATER-I
		Set includes: 22) 71125 shaft
		23) 71126 bearings
		24) 71127 wheel



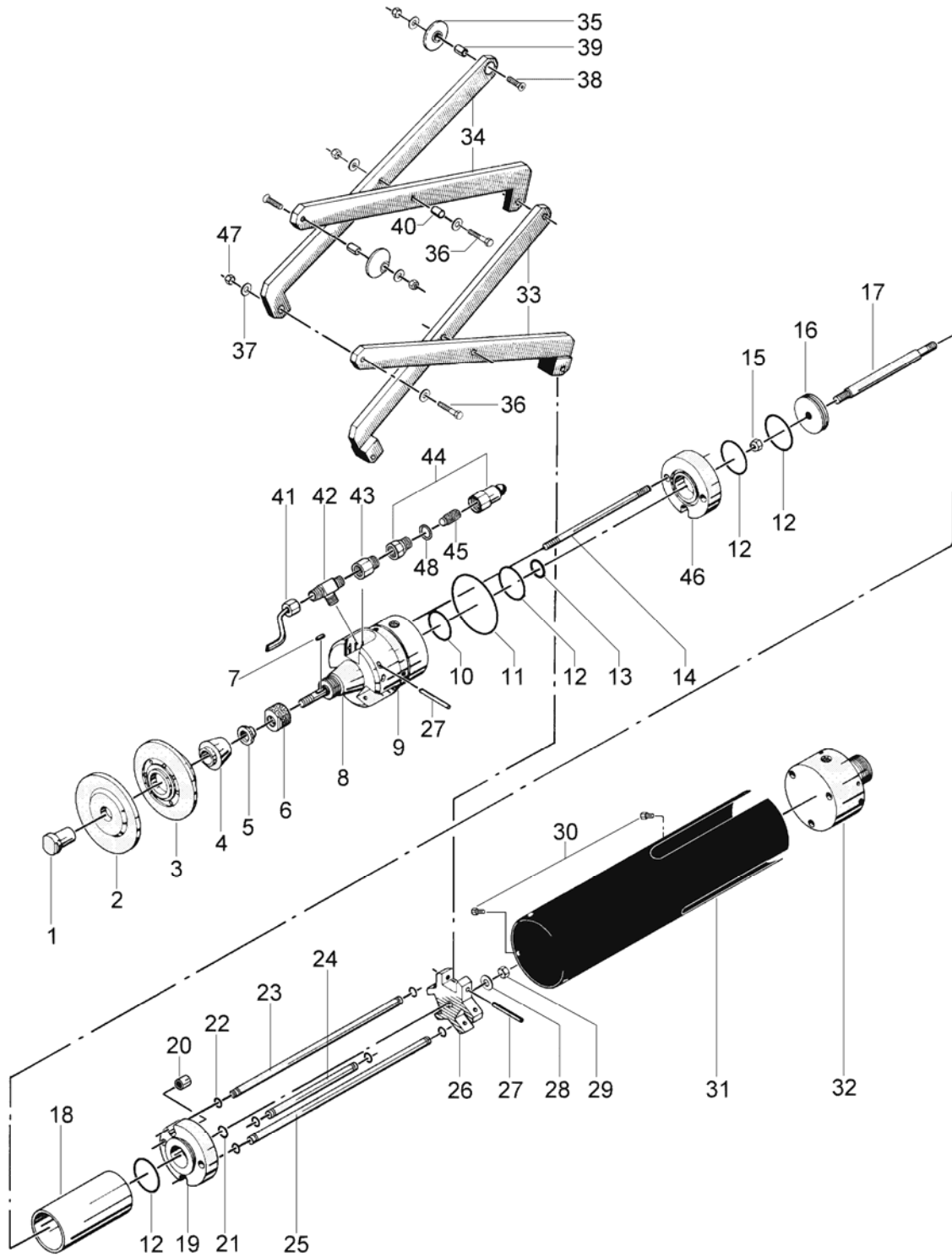


## SPARE PARTS PIPECOATER-II

ART.NR.	MODEL	DESCRIPTION
71025	PIPECOATER-II	<b>PIPECOATER-II Less Hoses and Gun</b>
1) 71145		Hub Nut
2) 71146		Head, front
3) 71147		Head, rear
4) 71148		Hub
5) 71149		Flange
6) 71150		Casing
7) 71151		Key
8) 71152		Air motor, complete
9) 71153		Motor housing
10) 71154		O-ring ( 37.10 x 1.60 )
11) 71155		O-ring ( 79.50 x 30.00 )
12) 71156		O-ring ( 44.20 x 30.00 )
13) 71157		O-ring ( 20.22 x 3.53 )
14) 71158		Rod
15) 71159		Nut
16) 71160		Piston
17) 71161		Rod
18) 71162		Cylinder
19) 71163		Cover
20) 71164		Nut
21) 71165		O-ring ( 12.10 x 1.60 )
22) 71166		O-ring ( 7.10 x 1.60 )
23) 71167		Air tube, 288 mm ( 11.34" )
24) 71168		Air tube, 150 mm ( 5.91" )
25) 71169		Air tube, 310 mm (12.20" )
26) 71170		Socket
27) 71171		Pin
28) 71172		Plate
29) 71159		Nut
30) 71173		Screw
31) 71174		Tube
32) 71175		Connection body
33) 71176		Inner arm
34) 71177		Outer arm
35) 71178		Wheel
36) 71179		Screw
37) 71180		Plate
38) 71181		Screw
39) 71182		Bushing
40) 71183		Bushing
41) 71184		Paint tube
42) 71185		T-piece II
43) See tip selection list on Page 8		Spray tip ( Standard 0.036" )
44) 71187		Strainer housing, complete
45) 71188		Strainer
46) 71189		Cover
47) 71190		Nut
48) 71191		Nylon Ring
-) 71192		Rotating head kit for PIPECOATER-II Includes:           2)           71146 Front head 3)           71147 Rear head 4)           71148 Hub
-) 71193		Wheel kit for PIPECOATER-II Includes:           38)           71181 Screw 39)           71182 Bushing 35)           71178 Wheel 37)           71180 Plate 47)           71190 Nut



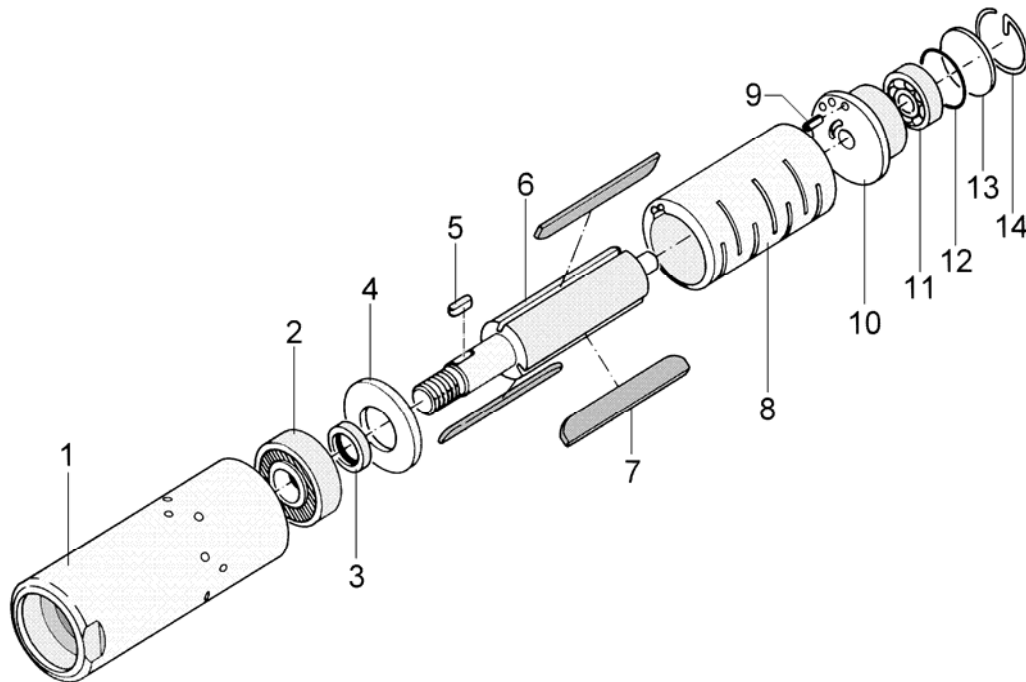
# SPARE PARTS PIPECOATER-II





# SPARE PARTS AIR MOTOR FOR PIPECOATER-I

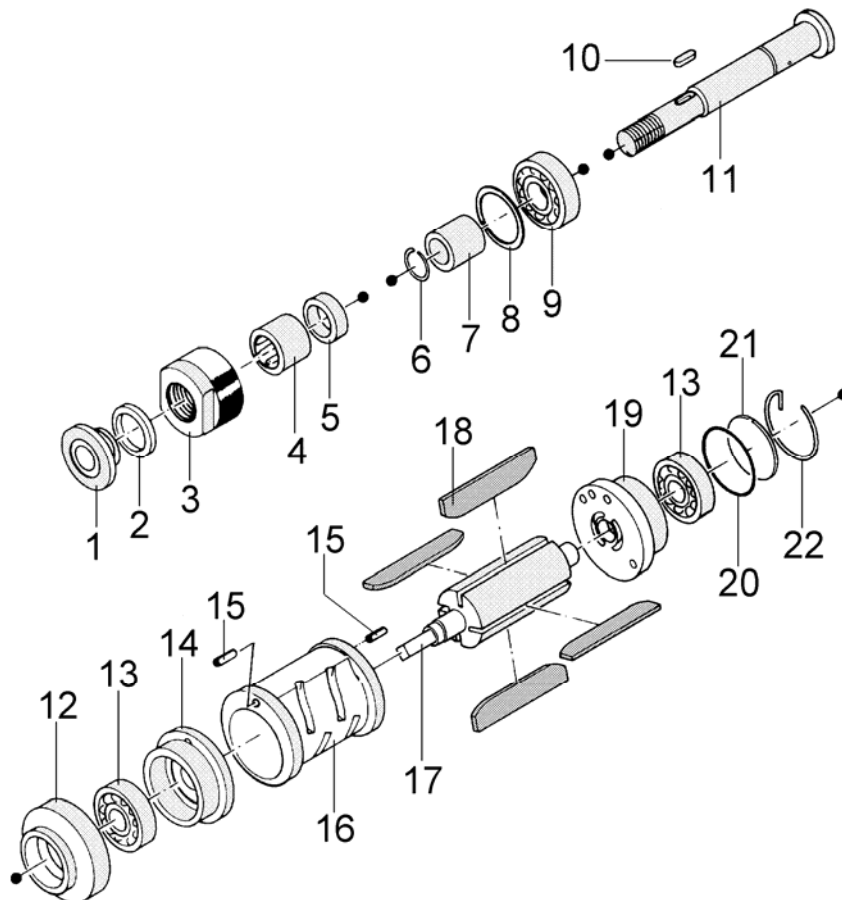
ART.NR.	MODEL	DESCRIPTION
71106		AIR MOTOR FOR PIPECOATER-I
1) 71130		Casing
2) 71131		Ball Bearing
3) 71132		Spacer
4) 71133		Front plate
5) 71134		Key
6) 71135		Rotor
7) 71136		Blade
8) 71137		Cylinder
9) 71138		Roll pin
10) 71139		Rear plate
11) 71140		Bearing
12) 71141		O-ring ( 16.1 x 1.6 )
13) 71142		Spacer
14) 71143		Snap ring





# SPARE PARTS AIR MOTOR FOR PIPECOATER-II

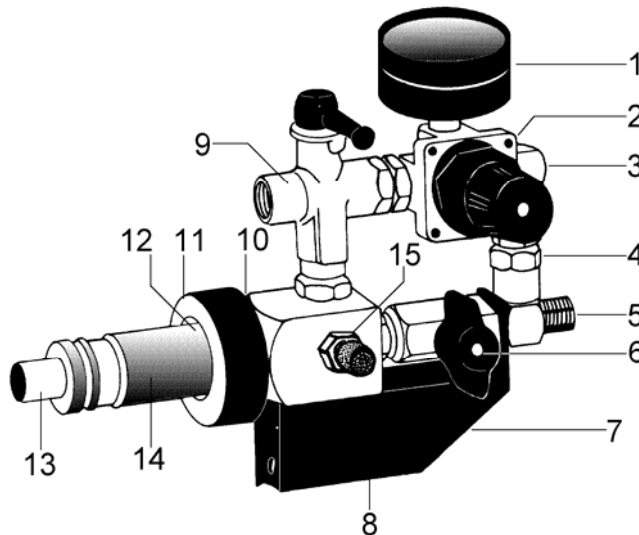
ART.NR.	MODEL	DESCRIPTION
71152		AIR MOTOR FOR PIPECOATER-II
1)	71149	Flange
2)	71194	Felt ring
3)	71150	Casing
4)	71195	Needle bearing
5)	71196	Spacer
6)	71197	Snap ring
7)	71198	Bearing
8)	71199	Spacer
9)	71200	Ball bearing
10)	71151	Key
11)	71201	Spindle
12)	71202	Cylinder setter
13)	71203	Ball bear
14)	71204	Front plate
15)	71205	Roll pin
16)	71206	Cylinder
17)	71207	Rotor
18)	71208	Blade
19)	71209	Rear plate
20)	71210	O-ring ( 25.1 x 1.6 )
21)	71211	Spacer
22)	71212	Snap ring





# CONTROL GUN ASSEMBLY

ART.NR.	MODEL	DESCRIPTION
71213		<b>CONTROL GUN ASSEMBLY</b>
1)	71214	Gauge
2)	71215	Air regulator
3)	71216	Connection
4)	71217	Bushing
5)	71218	Coupling
6)	71219	Knob
7)	71220	Bracket
8)	71221	Bolt
9)	71222	3-way valve
10)	71223	Locking ring
11)	71224	Tightening ring
12)	71225	O-ring ( 22.1 x 1.6 )
13)	71226	O-ring ( 22.1 x 1.6 )
14)	71227	Housing
15)	71228	Silencer
-)	71229	O-ring ( 8.1 x 1.6 )
-)	71230	O-ring ( 11.1 x 1.6 )



## FLOW CONTROL SPRAY TIPS FOR PIPECOATER-I AND II

ART.NR.	MODEL	DESCRIPTION
71015		Flow control tip 0.018" orifice
71016		Flow control tip 0.021" orifice
71017		Flow control tip 0.026" orifice
71018		Flow control tip 0.031" orifice
71019		Flow control tip 0.036" orifice
71020		Flow control tip 0.043" orifice

## FLOW CONTROL SPRAY TIPS FOR PIPECOATER-III

73150		Flow control tip 0.042" orifice (standard)
73151		Flow control tip 0.020" orifice
73152		Flow control tip 0.028" orifice
73153		Flow control tip 0.060" orifice
73154		Flow control tip 0.064" orifice
73155		Flow control tip 0.076" orifice



## RECOMMENDED SPARE PARTS PIPECOATER-I AND II

ART.NR.	MODEL	DESCRIPTION	
<b>Recommended spare parts Pipecoater-I</b>			
1) 71114		Strainer	(2)
2) 71129		Wheel Pipecoater-I incl.:	(6)
		- 71125 Shaft	
		- 71126 Bearing	
		- 71127 Wheel	
3) 71136		Blade	(3)
4) 71140		Bearing	(1)
5) 71131		Ball bearing	(1)
6) 71019		Spray tip ( Standard 0.036" )	(1)
7) 71051		O-ring set, Pipecoater-I	(1)
<b>Recommended spare parts Pipecoater-II</b>			
1) 71114		Strainer	(2)
2) 71195		Needle bearing	(1)
3) 71019		Spray tip ( Standard 0.036" )	(1)
4) 71184		Paint tube	(1)
5) 71185		T-piece	(1)
6) 71052		O-ring set, Pipecoater-II	(1)

All parts required in quantities shown ( )



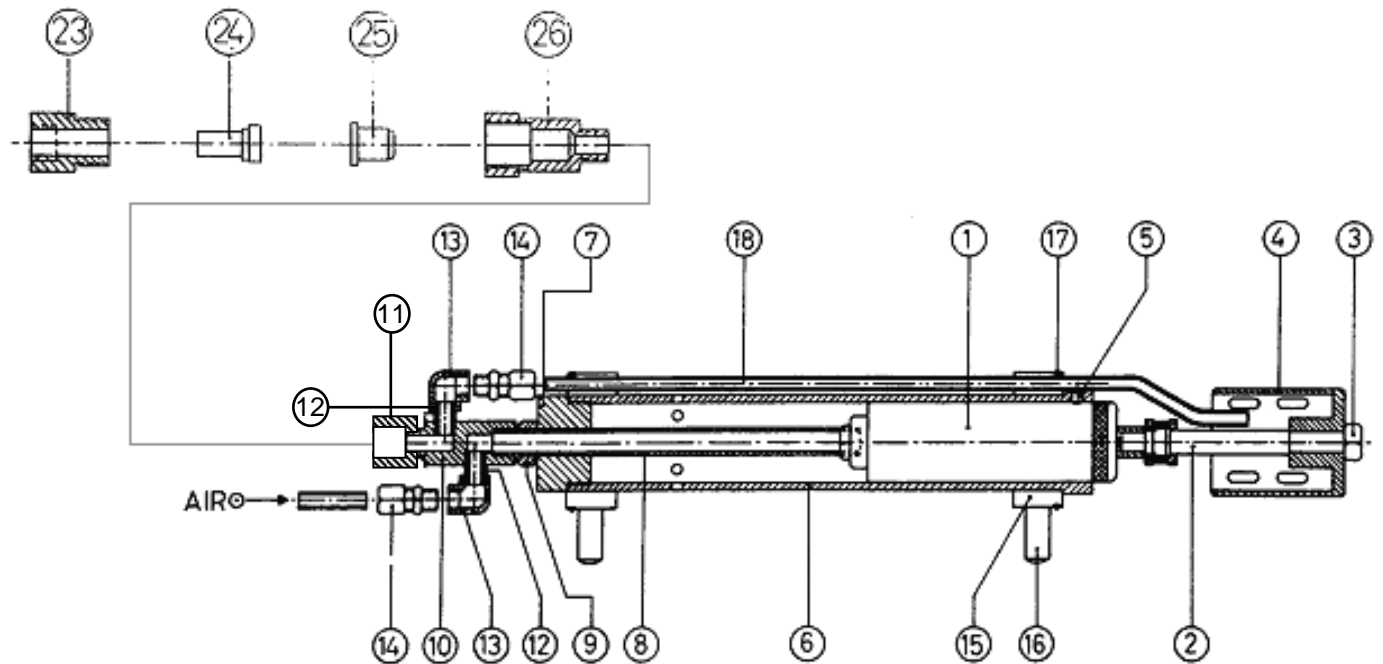
# PIPECOATER-III WITH CARRIAGE FOR PIPES 76 – 125 mm / 3” – 5” ID

ART.NR.	MODEL	DESCRIPTION
---------	-------	-------------

All (\*)-marked items are fully interchangeable with relevant parts of:

Pipecoater-III with carriage for pipes 125-300 mm (5" - 12")  
Pipecoater-III with carriage for pipes 300-900 mm (12" - 35")

73010	PIPECOATER-III/125	<b>PIPECOATER-III</b> complete unit with centering collars for pipes with ID: 76 - 125 mm (3" - 5")
1) 73100	*	Air motor
2) 73101	*	Axle
3) 73102	*	Nut ( M10 )
4) 73103		Rotating head ( diameter 54 mm )
5) 73104	*	Bolt ( M6 x 8 )
6) 73105	*	Aluminium housing
7) 73106		Rear end plate
8) 73107		Air tube ( 1/4" x 185 mm )
9) 73108		Nut ( 1/4" )
10) 73109		Inlet housing
11) 73110		Reduction nipple ( 1/2" x 1/4" )
12) 73111		Threaded sleeve ( 1/8" x 21 mm )
13) 73112		Elbow ( 1/8" FF no.090 )
14) 73113		Coupling ( 1/8" x 8 mm )
15) 73114		Centering collars
16) 30060		Centering button set ( 4 x six button set )
17) 73115		O-ring
18) 73116		Paint tube
23) 73145	*	Filter holder
24) 73146	*	Tip Filter
25) See tip selection list on Page 8		Tip (standard 0.042")
26) 73147	*	Tip holder



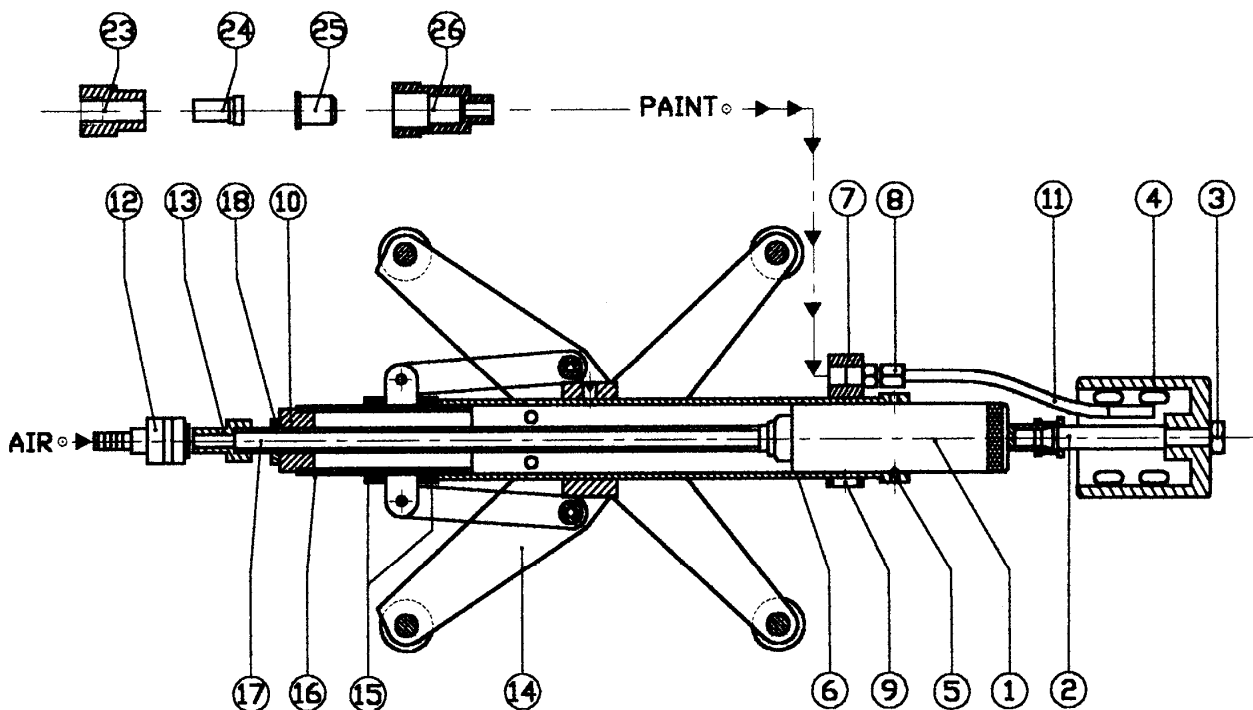


# PIPECOATER-III WITH CARRIAGE FOR PIPES 125 – 300 mm / 5" – 12" ID

ART.NR.	MODEL	DESCRIPTION
---------	-------	-------------

All (\*)-marked items are fully interchangeable with relevant parts of:  
Pipecoater-III with carriage for pipes 300-900 mm (12" - 35")

73020	PIPECOATER-III/300	PIPECOATER-III complete unit with centering carriage for pipes with ID: 125 - 300 mm (5" - 12")
1) 73100	*	Air motor
2) 73101	*	Axle
3) 73102	*	Nut ( M10 )
4) 73120	*	Rotating head ( diameter 69 mm )
5) 73104	*	Bolt ( M6 x 8 )
6) 73105	*	Aluminium housing
7) 73121	*	Inlet housing
8) 73122	*	Coupling ( 1/4" x 8 mm )
9) 73156	*	Bolt ( M10 x 10 )
10) 73137	*	Rear end plate
11) 73125	*	Paint tube
12) 21761	* CCC-38/F	Quick coupling
13) 21781	* IF-14	Quick connect coupling
14) 30110	CBC - 2	Centering carriage
15) 73148		Lock nut
16) 30250		Protection sleeve threaded
17) 73140	*	Paint tube stainless steel
18) 73141	*	Nut
23) 73145	*	Filter holder
24) 73146	*	Tip filter
25) See tip selection list on Page 8		Tip (standard 0.042")
26) 73147	*	Tip holder



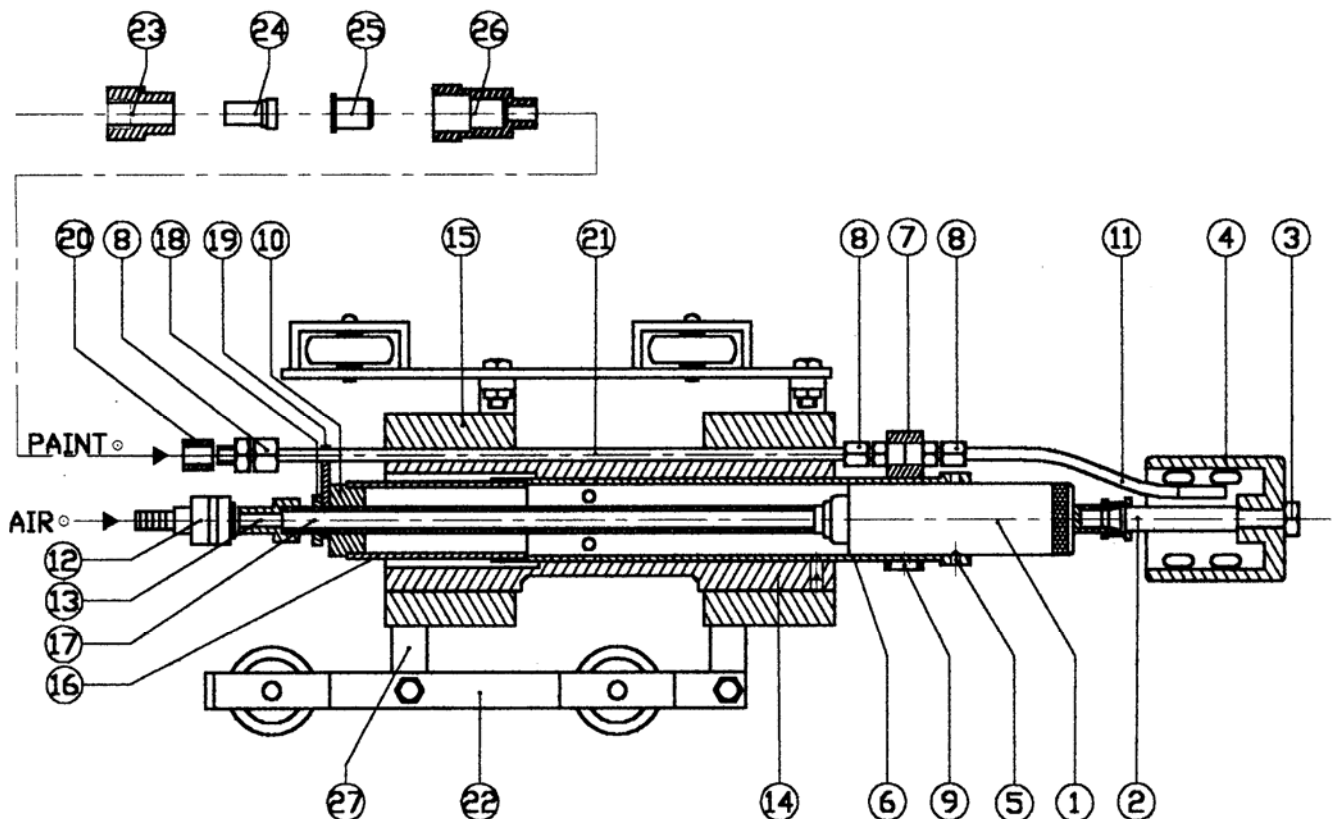


# PIPECOATER-III WITH CARRIAGE FOR PIPES 300 – 900 mm / 12” – 35” ID

ART.NR.	MODEL	DESCRIPTION
---------	-------	-------------

All (\*)-marked items are fully interchangeable with relevant parts of:  
**Pipecoater III with carriage for pipes 125-300 mm (5" - 12")**

73030	PIPECOATER-III/900	<b>PIPECOATER-III</b> complete unit with centering carriage for pipes with ID: 300 - 900 mm (12" - 35")
1) 73100	*	Air motor
2) 73101	*	Axle
3) 73102	*	Nut ( M10 )
4) 73120	*	Rotating head ( diameter 69 mm )
5) 73104	*	Bolt ( M6 x 8 )
6) 73105	*	Aluminium housing
7) 73121	*	Inlet housing
8) 73122	*	Coupling ( 1/8" x 8 mm )
9) 73136	*	Bolt (M10 x 10)
10) 73137	*	Rear end plate
11) 73125	*	Paint tube
12) 21761	* CCC-38/F	Quick coupling
13) 21781	* IF-14	Quick connect coupling
14) 73130		Bushing
15) 30590		Centering collars
16) 30250		Protection sleeve threaded
17) 73140		Tube stainless steel
18) 73141	*	Nut
19) 73142	*	Aluminium tube holder
20) 73143		Nut
21) 73144	*	Paint tube brass (330 mm)
22) 30570	*	Arms with wheels
23) 73145	*	Filter holder
24) 73146	*	Tip filter
25) See Tip selection list on Page 8		Tip (standard 0.042")
26) 73147	*	Tip holder
27) 30580		Set of centering legs (4 x 6 pieces)





# PAINTSPRAY HOSE

ART.NR.	MODEL	DESCRIPTION
		<b>PAINT SPRAY HOSE, general specifications:</b> <b>Core</b> : Nylon (PA) <b>Pressure support</b> : 1 or 2 Braids of Brass Coated High Tensile Steel Wire <b>Cover</b> : Polyurethane (PUR) <b>Working temp.</b> : -40°C to +95°C <b>Colour</b> : Blue, others upon request
		<b>Paint spray hose, 1 braid, 1/4" ID</b> <b>Working Pressure</b> : 385 bar <b>Burst Pressure</b> : 1300 bar <b>Coupled with</b> : 1/4" NPSM swivel female at both ends
77000		Paint spray hose, 1/4" ID, 1 braid, bulk
77005		Paint spray hose, 1/4" ID, 1 braid, 1.0 meter, coupled
77010		Paint spray hose, 1/4" ID, 1 braid, 5.0 meters, coupled
77015		Paint spray hose, 1/4" ID, 1 braid, 7.5 meters, coupled
77020		Paint spray hose, 1/4" ID, 1 braid, 10.0 meters, coupled
77025		Paint spray hose, 1/4" ID, 1 braid, 15.0 meters, coupled
77030		Paint spray hose, 1/4" ID, 1 braid, 20.0 meters, coupled
77035		Paint spray hose, 1/4" ID, 1 braid, 25.0 meters, coupled
77040		Paint spray hose, 1/4" ID, 1 braid, 30.0 meters, coupled
		<b>Paint spray hose, 2 braids, 1/4" ID</b> <b>Working Pressure</b> : 450 bar <b>Burst Pressure</b> : 1800 bar <b>Coupled with</b> : 1/4" NPSM swivel female at both ends
77050		Paint spray hose, 1/4" ID, 2 braid, bulk
77055		Paint spray hose, 1/4" ID, 2 braids, 1.0 meter, coupled
77060		Paint spray hose, 1/4" ID, 2 braids, 5.0 meters, coupled
77065		Paint spray hose, 1/4" ID, 2 braids, 7.5 meters, coupled
77070		Paint spray hose, 1/4" ID, 2 braids, 10.0 meters, coupled
77075		Paint spray hose, 1/4" ID, 2 braids, 15.0 meters, coupled
77080		Paint spray hose, 1/4" ID, 2 braids, 20.0 meters, coupled
77085		Paint spray hose, 1/4" ID, 2 braids, 25.0 meters, coupled
77090		Paint spray hose, 1/4" ID, 2 braids, 30.0 meters, coupled
		<b>Paint spray hose, 1 braid, 3/8" ID</b> <b>Working Pressure</b> : 300 bar <b>Burst Pressure</b> : 1000 bar <b>Coupled with</b> : 3/8" NPSM swivel female 3/8" NPT fixed male
77100		Paint spray hose, 3/8" ID, 1 braid, bulk
77105		Paint spray hose, 3/8" ID, 1 braid, 1.0 meter, coupled
77110		Paint spray hose, 3/8" ID, 1 braid, 5.0 meters, coupled
77115		Paint spray hose, 3/8" ID, 1 braid, 7.5 meters, coupled
77120		Paint spray hose, 3/8" ID, 1 braid, 10.0 meters, coupled
77125		Paint spray hose, 3/8" ID, 1 braid, 15.0 meters, coupled
77130		Paint spray hose, 3/8" ID, 1 braid, 20.0 meters, coupled
77135		Paint spray hose, 3/8" ID, 1 braid, 25.0 meters, coupled
77140		Paint spray hose, 3/8" ID, 1 braid, 30.0 meters, coupled

Executions with other couplings available on request



# PAINTSPRAY HOSE

ART.NR.	MODEL	DESCRIPTION
		<b>PAINT SPRAY HOSE, general specifications:</b> Core : Nylon (PA) Pressure support : 1 or 2 Braids of Brass Coated High Tensile Steel Wire Cover : Polyurethane (PUR) Working temp. : -40°C to +95°C Colour : Blue, others upon request
		<b>Paint spray hose, 2 braids, 3/8" ID</b> Working Pressure : 345 bar Burst Pressure : 1380 bar Coupled with : 3/8" NPSM swivel female : 3/8" NPT fixed male
77150		Paint spray hose, 3/8" ID, 2 braids, bulk
77155		Paint spray hose, 3/8" ID, 2 braids, 1.0 meter, coupled
77160		Paint spray hose, 3/8" ID, 2 braids, 5.0 meters, coupled
77165		Paint spray hose, 3/8" ID, 2 braids, 7.5 meters, coupled
77170		Paint spray hose, 3/8" ID, 2 braids, 10.0 meters, coupled
77175		Paint spray hose, 3/8" ID, 2 braids, 15.0 meters, coupled
77180		Paint spray hose, 3/8" ID, 2 braids, 20.0 meters, coupled
77185		Paint spray hose, 3/8" ID, 2 braids, 25.0 meters, coupled
77190		Paint spray hose, 3/8" ID, 2 braids, 30.0 meters, coupled
		<b>Paint spray hose, TEXTILE braided, 1/4" ID</b> Working Pressure : 207 bar Burst Pressure : 828 bar Weight : 9,5 kg / 100 meters Coupled with : 1/4" NPSM swivel female at both ends
77200		Paint spray hose, 1/4" ID, Textile, bulk
77205		Paint spray hose, 1/4" ID, Textile, 1.0 meter, coupled
77210		Paint spray hose, 1/4" ID, Textile, 5.0 meters, coupled
77215		Paint spray hose, 1/4" ID, Textile, 7.5 meters, coupled
77220		Paint spray hose, 1/4" ID, Textile, 10.0 meters, coupled
77225		Paint spray hose, 1/4" ID, Textile, 15.0 meters, coupled
77230		Paint spray hose, 1/4" ID, Textile, 20.0 meters, coupled
77235		Paint spray hose, 1/4" ID, Textile, 25.0 meters, coupled
77240		Paint spray hose, 1/4" ID, Textile, 30.0 meters, coupled

Executions with other couplings available on request

77195 Spring guard for 1/4" paint spray hose

Paint spray hoses with other sizes, pressure ratings or colours are available on request.